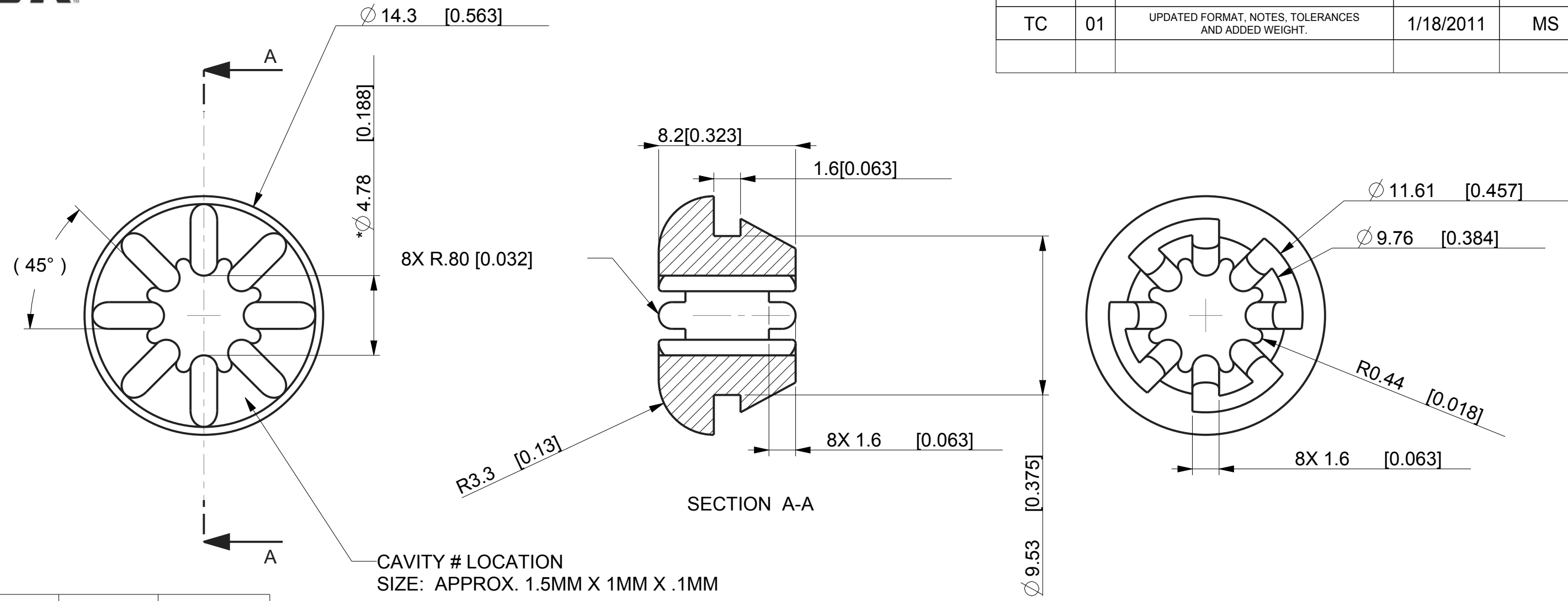




REVISIONS				
DRAWN	REV	DESCRIPTION	DATE	APPROVED
BCC	00	PRODUCTION	3/2/2004	JS
TC	01	UPDATED FORMAT, NOTES, TOLERANCES AND ADDED WEIGHT.	1/18/2011	MS



PART NUMBER	MATERIAL	ITEM CODE
P-411-V2790	V-2790	
P-411-V2775	V-2775	6379-0205
P-411-V2750	V-2750	
P-411-V2590	V-2590	
P-411-V2575	V-2575	
P-411-V2550	V-2550	
P-411-V2525	V-2525	
P-411-V2375	V-2375	
P-411-V2350	V-2350	
P-411-V2325	V-2325	
P-411-3	C-1100	
P-411-2	C-1105	
P-411-1	C-1002	632-2037T
P-411-C8012	C-8012	
P-411-C8001	C-8001	
P-411-C8002	C-8002	

- 2. CRITICAL DIMENSIONS SHALL HAVE Cpk VALUE ≥ 1.33 WITH ONGOING SPC DATA REQUIRED.
- 1. CRITICAL DIMENSIONS ARE MARKED WITH "**".

NOTES:

RANGE	TOL	UNLESS OTHERWISE SPECIFIED UNITS ARE: MM [IN] TOLERANCE FOR ANGLES: $\pm 1.0^\circ$	MATERIAL: SEE TABLE ON LEFT	AEARO TECHNOLOGIES LLC * a 3M company		
$0 < \text{DIM} \leq 2$ [0.078]	± 0.15 [0.006]		QUALITY CONTROL: MUST COMPLY WITH E-A-R SPECIALTY COMPOSITES SUPPLIER QUALITY MANUAL REQUIREMENTS	TITLE PLUG GROMMET - SYMMETRIC, INTERNALLY RIBBED		
$2 < \text{DIM} \leq 25$ [0.98]	± 0.25 [0.010]	ALLOWABLE FLASH: 0.12MM [0.005]		NOTES: ANY FEATURE NOT DIMENSIONED IN PRINT MUST BE VISIBLY PRESENT, UTILIZE 3D CAD FOR CREATION	SIZE B	DRAWING NO. P-411-X
$25 < \text{DIM} \leq 50$ [1.969]	± 0.4 [0.016]	GATE: $\pm 0.15 \text{MM}$ [0.006]				
$50 < \text{DIM}$	± 0.6 [0.024]	CALC WT. .062 GRAM REF				