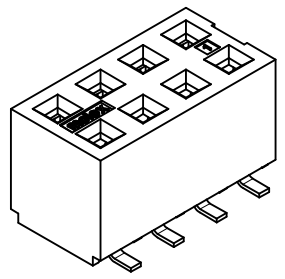
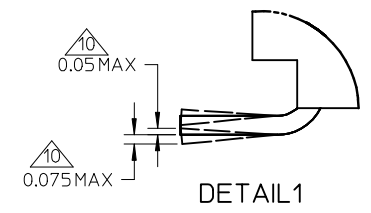
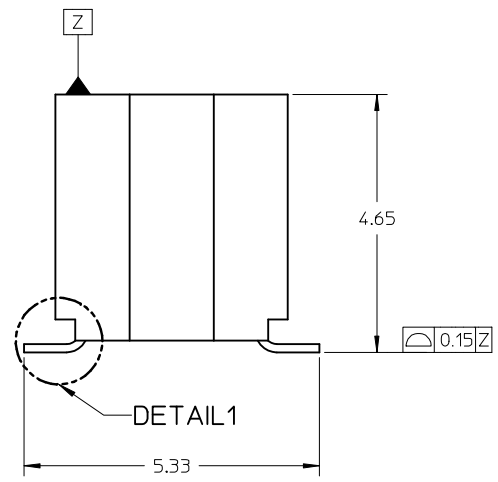
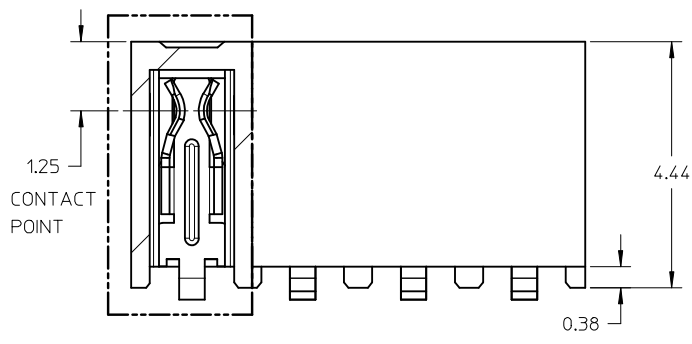
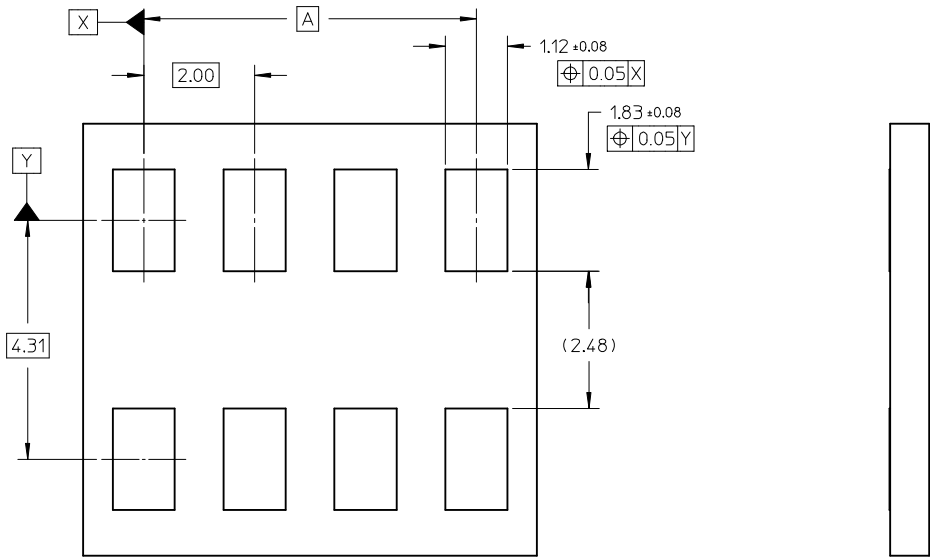


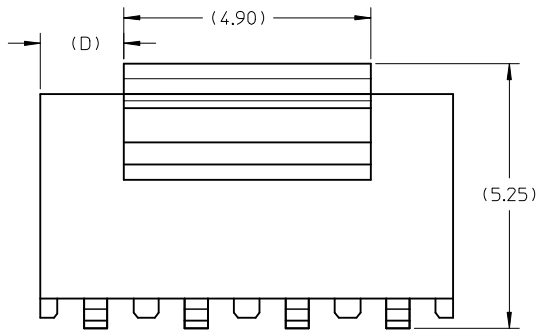
- NOTES:
- MATERIALS:
HOUSING: LCP, GLASS FILLED, UL94V-0, BLACK
TERMINAL: COPPER ALLOY
CAP: NYLON, GLASS FILLED, BLACK
 - FINISHES: 2.50µM TIN OVER 1.25µM NICKEL UNDERPLATE
 - PRODUCT SPECIFICATION: PS-78788-001
 - PACKAGING SPECIFICATION: SEE TABLE
 - MATES WITH: 87758, 87759, 87760, 87831, 87832, 87833
 - MOLEX LOGO AND CAVITY ID IS LOCATED APPROXIMATELY AS SHOWN
 - FOR ILLUSTRATION, 8 CIRCUITS IS SHOWN
 - CIRCUIT NUMBERS ARE COUNTED FROM LEFT TO RIGHT ON TOP VIEW WITH RECESSED GATE ALWAYS ON THE RIGHT
 - SEE SHEET 2 FOR CIRCUIT SIZE PART NUMBER & DIMENSIONS
 - MEASUREMENT IS TAKEN BETWEEN THE TANGENT OF THE TOE TO TIP OF THE TERMINAL



| SEE SHEET 3 EC NO: S2016-0396 DRWN:GMENARLY 2015/10/22 CHKD:CGOH 2015/11/26 APPR:KHLIM 2015/12/01 | QUALITY SYMBOLS | GENERAL TOLERANCES (UNLESS SPECIFIED) | DIMENSION STYLE | SCALE | DESIGN UNITS | THIRD ANGLE PROJECTION | | | | | | | | | | | | | | | | | | |
|---|---|--|--|-------|---|------------------------|-------|-------|----------|-------|-------|----------|--------|-------|---------|-------|-------|---------|-------|-------|---------|-----|--------|--|
| | $\nabla_A = 0$ $\nabla_C = 0$ $\nabla_P = 0$ | <table border="1"> <thead> <tr> <th></th> <th>mm</th> <th>INCH</th> </tr> </thead> <tbody> <tr> <td>4 PLACES</td> <td>± ---</td> <td>± ---</td> </tr> <tr> <td>3 PLACES</td> <td>± ---</td> <td>± ---</td> </tr> <tr> <td>2 PLACES</td> <td>± 0.25</td> <td>± ---</td> </tr> <tr> <td>1 PLACE</td> <td>± ---</td> <td>± ---</td> </tr> <tr> <td>0 PLACE</td> <td>± ---</td> <td>± ---</td> </tr> </tbody> </table> | | mm | INCH | 4 PLACES | ± --- | ± --- | 3 PLACES | ± --- | ± --- | 2 PLACES | ± 0.25 | ± --- | 1 PLACE | ± --- | ± --- | 0 PLACE | ± --- | ± --- | MM ONLY | NTS | METRIC | |
| | | mm | INCH | | | | | | | | | | | | | | | | | | | | | |
| | 4 PLACES | ± --- | ± --- | | | | | | | | | | | | | | | | | | | | | |
| 3 PLACES | ± --- | ± --- | | | | | | | | | | | | | | | | | | | | | | |
| 2 PLACES | ± 0.25 | ± --- | | | | | | | | | | | | | | | | | | | | | | |
| 1 PLACE | ± --- | ± --- | | | | | | | | | | | | | | | | | | | | | | |
| 0 PLACE | ± --- | ± --- | | | | | | | | | | | | | | | | | | | | | | |
| ANGULAR ± 3 ° DRAFT WHERE APPLICABLE MUST REMAIN WITHIN DIMENSIONS | DRAWN BY: GMENARLY CHECKED BY: SCHEONG APPROVED BY: KHLIM DATE: 2012/11/20 DATE: 2013/05/31 DATE: 2014/07/21 | TITLE | SALES DRAWING 2MM DUAL ROW, SMT MILLIGRID VERT RECEPT | | | | | | | | | | | | | | | | | | | | | |
| A1 | SIZE: A3 | SEE TABLE | MATERIAL NO. THIS DRAWING CONTAINS INFORMATION THAT IS PROPRIETARY TO MOLEX INCORPORATED AND SHOULD NOT BE USED WITHOUT WRITTEN PERMISSION | | DOCUMENT NO. SD-78788-002 SHEET NO. 1 OF 3 | | | | | | | | | | | | | | | | | | | |



RECOMMENDED PCB LAYOUT



| | | | | | | | | | |
|--|-----------------|--|-------------|----------------------------|---|-------------------|------------------------|------------------------|--|
| SEE SHEET 3 EC NO: S2016-0396 DRWN:GMENARLY 2015/10/22 CHYKD:CGOH 2015/11/26 APPR:KHLIM 2015/12/01 | QUALITY SYMBOLS | GENERAL TOLERANCES (UNLESS SPECIFIED) | | DIMENSION STYLE MM ONLY | | SCALE NTS | DESIGN UNITS METRIC | THIRD ANGLE PROJECTION | |
| | $F_A=0$ | mm | INCH | DRAWN BY | DATE | TITLE | | | |
| | $F_G=0$ | 4 PLACES ± --- | ± --- | GMENARLY | 2012/11/20 | SALES DRAWING | | | |
| | $F_P=0$ | 3 PLACES ± --- | ± --- | CHECKED BY | DATE | 2MM DUAL ROW, SMT | | | |
| | 2 PLACES ± 0.25 | ± --- | SCHEONG | 2013/05/31 | MILLIGRID VERT RECEPT | | | | |
| | 1 PLACE ± --- | ± --- | APPROVED BY | DATE | molex | | | | |
| | 0 PLACE ± --- | ± --- | KHLIM | 2014/07/21 | | | | | |
| | ANGULAR ± 3 ° | DRAFT WHERE APPLICABLE MUST REMAIN WITHIN DIMENSIONS | | SEE TABLE | | DOCUMENT NO. | | SHEET NO. | |
| A1 | REV | | | SIZE A3 | THIS DRAWING CONTAINS INFORMATION THAT IS PROPRIETARY TO MOLEX INCORPORATED AND SHOULD NOT BE USED WITHOUT WRITTEN PERMISSION | | | | |

| 10 | 9 | 8 | 7 | 6 | 5 | 4 | 3 | 2 | 1 | | |
|----------------|-----------------------------|--------|--------------------------------|--------|------------------------------|--------|---------------------------------|--------|-------|-------|-------------------------|
| CIRCUIT NUMBER | PART NUMBER WITH CAP IN T&R | TOOLED | PART NUMBER WITHOUT CAP IN T&R | TOOLED | PART NUMBER WITH CAP IN TUBE | TOOLED | PART NUMBER WITHOUT CAP IN TUBE | TOOLED | DIM A | DIM B | DIM D (WITH CAP OPTION) |
| 6 | 78788-0621 | YES | 78788-0622 | YES | 78788-0623 | | 78788-0624 | | 4 | 6.19 | 0.65 |
| 8 | 78788-0821 | YES | 78788-0822 | YES | 78788-0823 | | 78788-0824 | | 6 | 8.19 | 1.65 |
| 10 | 78788-1021 | YES | 78788-1022 | YES | 78788-1023 | | 78788-1024 | | 8 | 10.19 | 2.65 |
| 12 | 78788-1221 | YES | 78788-1222 | YES | 78788-1223 | | 78788-1224 | | 10 | 12.19 | 3.65 |
| 14 | 78788-1421 | YES | 78788-1422 | YES | 78788-1423 | | 78788-1424 | | 12 | 14.19 | 4.65 |
| 16 | 78788-1621 | YES | 78788-1622 | YES | 78788-1623 | | 78788-1624 | | 14 | 16.19 | 5.65 |
| 18 | 78788-1821 | YES | 78788-1822 | YES | 78788-1823 | | 78788-1824 | | 16 | 18.19 | 6.65 |
| 20 | 78788-2021 | YES | 78788-2022 | YES | 78788-2023 | | 78788-2024 | | 18 | 20.19 | 7.65 |
| 22 | 78788-2221 | NO | 78788-2222 | NO | 78788-2223 | | 78788-2224 | | 20 | 22.19 | 8.65 |
| 24 | 78788-2421 | YES | 78788-2422 | YES | 78788-2423 | YES | 78788-2424 | YES | 22 | 24.19 | 9.65 |
| 26 | 78788-2621 | NO | 78788-2622 | NO | 78788-2623 | | 78788-2624 | | 24 | 26.19 | 10.65 |
| 28 | 78788-2821 | NO | 78788-2822 | NO | 78788-2823 | | 78788-2824 | | 26 | 28.19 | 11.65 |
| 30 | 78788-3021 | YES | 78788-3022 | YES | 78788-3023 | | 78788-3024 | | 28 | 30.19 | 12.65 |
| 32 | 78788-3221 | NO | 78788-3222 | NO | 78788-3223 | | 78788-3224 | | 30 | 32.19 | 13.65 |
| 34 | 78788-3421 | NO | 78788-3422 | NO | 78788-3423 | | 78788-3424 | | 32 | 34.19 | 14.65 |
| 36 | 78788-3621 | NO | 78788-3622 | NO | 78788-3623 | | 78788-3624 | | 34 | 36.19 | 15.65 |
| 38 | 78788-3821 | NO | 78788-3822 | NO | 78788-3823 | | 78788-3824 | | 36 | 38.19 | 16.65 |
| 40 | 78788-4021 | YES | 78788-4022 | YES | 78788-4023 | | 78788-4024 | | 38 | 40.19 | 17.65 |
| 42 | 78788-4221 | NO | 78788-4222 | NO | 78788-4223 | | 78788-4224 | | 40 | 42.19 | 18.65 |
| 44 | 78788-4421 | NO | 78788-4422 | NO | 78788-4423 | | 78788-4424 | | 42 | 44.19 | 19.65 |
| 46 | 78788-4621 | NO | 78788-4622 | NO | 78788-4623 | | 78788-4624 | | 44 | 46.19 | 20.65 |
| 48 | 78788-4821 | NO | 78788-4822 | NO | 78788-4823 | | 78788-4824 | | 46 | 48.19 | 21.65 |
| 50 | 78788-5021 | YES | 78788-5022 | YES | 78788-5023 | | 78788-5024 | | 48 | 50.19 | 22.65 |

PART NUMBER LEGEND

78788 - XXXX

CIRCUIT NUMBER

2. WITHOUT PEG

1. CAP IN TAPE & REEL
2. WITHOUT CAP IN TAPE & REEL
3. CAP IN TUBE
4. WITHOUT CAP IN TUBE

PACKAGING SPECIFICATION

| PART NUMBER | PACKAGING SPECIFICATION |
|-------------|-------------------------|
| 78788-XX21 | PK-78788-001 |
| 78788-XX22 | PK-78788-002 |
| 78788-XX23 | PK-78788-003 |
| 78788-XX24 | PK-78788-004 |

UPDATE T&R STATUS
 EC NO: S2016-0396
 DRW:GMENARLY 2015/10/22
 CHKD:CGOH 2015/11/26
 APPR:KHLIM 2015/12/01

QUALITY SYMBOLS
 $F_A=0$
 $F_G=0$
 $F_P=0$

GENERAL TOLERANCES (UNLESS SPECIFIED)

| | mm | INCH |
|----------|--------|-------|
| 4 PLACES | ± --- | ± --- |
| 3 PLACES | ± --- | ± --- |
| 2 PLACES | ± 0.25 | ± --- |
| 1 PLACE | ± --- | ± --- |
| 0 PLACE | ± --- | ± --- |

ANGULAR ± 3 °
 DRAFT WHERE APPLICABLE MUST REMAIN WITHIN DIMENSIONS

DIMENSION STYLE
MM ONLY

| DRAWN BY | DATE |
|-------------|------------|
| GMENARLY | 2012/11/20 |
| CHECKED BY | DATE |
| SCHEONG | 2013/05/31 |
| APPROVED BY | DATE |
| KHLIM | 2014/07/21 |

MATERIAL NO. SEE TABLE
 SIZE A3

SCALE NTS
 DESIGN UNITS METRIC
 THIRD ANGLE PROJECTION

SALES DRAWING
 2MM DUAL ROW, SMT
 MILLIGRID VERT RECEPT

molex

DOCUMENT NO. SD-78788-002
 SHEET NO. 3 OF 3

THIS DRAWING CONTAINS INFORMATION THAT IS PROPRIETARY TO MOLEX INCORPORATED AND SHOULD NOT BE USED WITHOUT WRITTEN PERMISSION