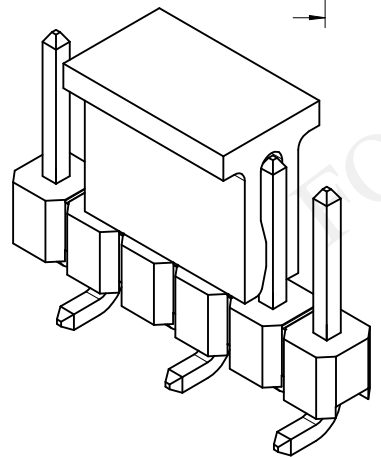
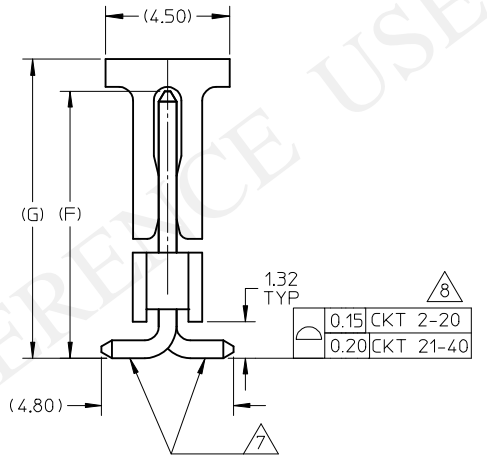
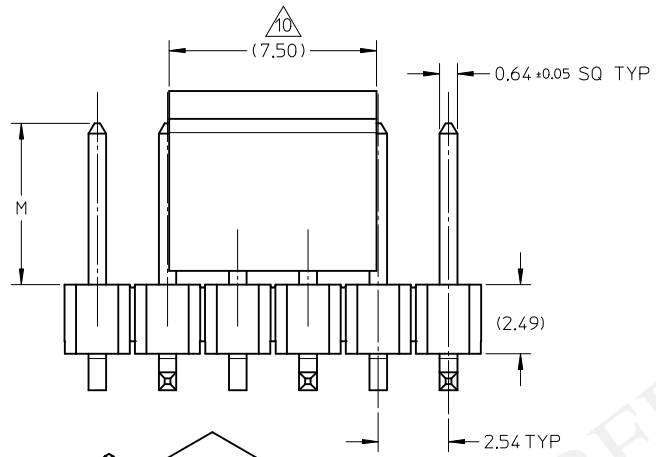


RECOMMENDED PCB LAYOUT: COMPONENT SIDE



- NOTES:
- MATERIAL:
 - HSG: NYLON, GLASS-FILLED, UL94V-0, COLOR: BLACK
 - CAP: NYLON, GLASS-FILLED, UL94V-0, COLOR: BLACK
 - PIN: 0,64MM SQ. COPPER ALLOY
 - PLATING TYPE:
 - (1) GOLD FLASH OVER
1.25µm MIN. NICKEL OVERALL.
 - (2) GOLD FLASH ON CONTACT AND
2.50µm MIN. TIN ON SOLDER TAIL OVER
1.25µm MIN. NICKEL OVERALL.
 - (4) 0.38µm MIN. GOLD PLATE ON CONTACT AND
2.00µm MIN. TIN ON SOLDER TAIL OVER
1.25µm MIN. NICKEL OVERALL.
 - (5) 0.75µm MIN. GOLD PLATE ON CONTACT AND
2.00µm MIN. TIN ON SOLDER TAIL OVER
1.25µm MIN. NICKEL OVERALL.
 - (6) 2.50µm MIN. TIN OVERALL
1.25µm MIN. NICKEL OVERALL
 - PRODUCT SPECIFICATION: PS-87920-019
 - PACKAGING TYPE: TAPE AND REEL
 - PACKAGING SPEC:
 - EMBOSS TAPE WITH CAP: RPK-89990-0001
 - WAFER TO BE FLAT WITHIN 0.003 mm/mm
 - BEND DEPRESSION IS ACCEPTED SO LONG AS IT DOES NOT AFFECT THE OVERALL COPLANARITY OF TAIL
 - COPLANARITY IS TO BE MEASURED BY RESTING THE SOLDER TAIL ON A FLAT SURFACE
 - IRREGULAR CIRCUIT CUTOFF WITHIN BREAKAWAY SECTION IS PERMISSIBLE. CUTTING OR CHIPPING OF THE MAIN BODY IS NOT ACCEPTABLE
 - CAP LOCATION IS CENTERED ALONG THE MATING ENDS AS SHOWN. TOP SURFACE OF CAP TO BE FLAT FOR THE PURPOSE OF PICK & PLACE BY VACUUM SUCTION NOZZLE
 - RECOMMENDED PCB THICKNESS IS 1.60mm±0.10
 - THE ABOVE CKT 6 IS FOR ILLUSTRATION PURPOSE ONLY

SEE SHEET 2 EC NO: S2016-0353 DRW: MRAMAKRISHNA 2015/10/13 CHKD: CGOH 2015/10/13 APP: MRAMAKRISHNA 2016/03/22	QUALITY SYMBOLS	GENERAL TOLERANCES (UNLESS SPECIFIED)	DIMENSION STYLE	SCALE	DESIGN UNITS	THIRD ANGLE PROJECTION
	$F_{\Delta} = 0$	mm INCH	MM ONLY	NTS	METRIC	
	$F_{\Delta} = 0$	4 PLACES ± --- ± ---	DRAWN BY DATE	TITLE		
	$F_{\Delta} = 0$	3 PLACES ± --- ± ---	CHECKED BY DATE	CUSTOM HEADER 2.54MM PITCH SINGLE ROW SINGLE WAFER SMT HEADER		
	2 PLACES ± 0.2 ± ---	APPROVED BY DATE	MOLEX INCORPORATED			
	1 PLACE ± --- ± ---	MATERIAL NO.	DOCUMENT NO.			
	ANGULAR ± 3 °	SEE TABLE		RSD-87898-0001		SHEET NO.
	DRAFT WHERE APPLICABLE MUST REMAIN WITHIN DIMENSIONS	SIZE A3		1 OF 4		
		THIS DRAWING CONTAINS INFORMATION THAT IS PROPRIETARY TO MOLEX INCORPORATED AND SHOULD NOT BE USED WITHOUT WRITTEN PERMISSION				

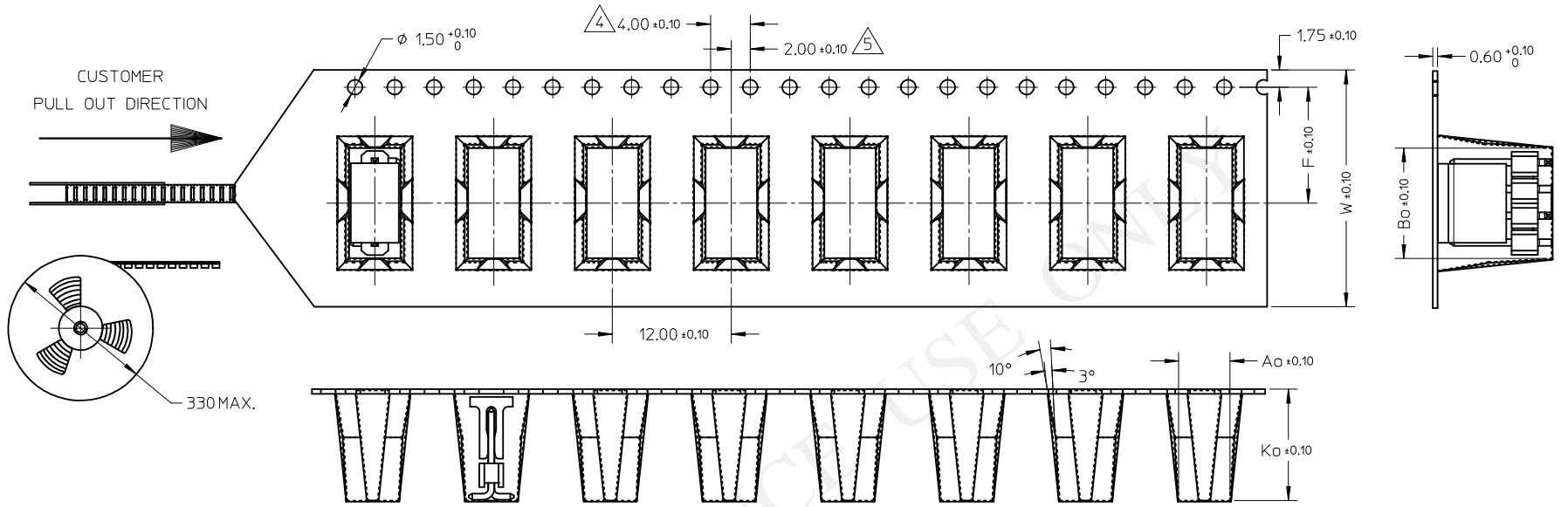
ASSY P/N IN TAPE & REEL WITH CAP	CKT SIZE	VOID POSITION	PLATING TYPE	DIMENSION				
				A	B	G	F	M
87898-0319	3	-----	6	7.62	5.08	10.81	9.65	5.84
87898-0582	5	-----	4	12.70	10.16	10.81	9.65	5.84

FOR REFERENCE USE ONLY

ADD P/N: 87898-0319 & 0582 EC NO: S2016-0353 DRWN: MRAMAKRISHNA 2015/10/13 CHKD: CGOH 2015/10/13 APPR: MRAMAKRISHNA 2016/03/22	DESCRIPTION REV	QUALITY SYMBOLS	GENERAL TOLERANCES (UNLESS SPECIFIED)	DIMENSION STYLE	SCALE	DESIGN UNITS	THIRD ANGLE PROJECTION															
		$F_{\Delta} = 0$ $F_{\square} = 0$ $F_{\phi} = 0$	<table border="1"> <tr> <th></th> <th>mm</th> <th>INCH</th> </tr> <tr> <td>4 PLACES</td> <td>± ---</td> <td>± ---</td> </tr> <tr> <td>3 PLACES</td> <td>± ---</td> <td>± ---</td> </tr> <tr> <td>2 PLACES</td> <td>± 0.2</td> <td>± ---</td> </tr> <tr> <td>1 PLACE</td> <td>± ---</td> <td>± ---</td> </tr> </table>		mm	INCH	4 PLACES	± ---	± ---	3 PLACES	± ---	± ---	2 PLACES	± 0.2	± ---	1 PLACE	± ---	± ---	MM ONLY	NTS	METRIC	
			mm	INCH																		
		4 PLACES	± ---	± ---																		
3 PLACES	± ---	± ---																				
2 PLACES	± 0.2	± ---																				
1 PLACE	± ---	± ---																				
<table border="1"> <tr> <td>DRAWN BY</td> <td>DATE</td> <td rowspan="3">TITLE</td> </tr> <tr> <td>MRAMAKRISHNA</td> <td>2015/10/13</td> </tr> <tr> <td>CHECKED BY</td> <td>DATE</td> </tr> <tr> <td>CGOH</td> <td>2015/10/13</td> <td rowspan="2"> CUSTOM HEADER 2.54MM PITCH SINGLE ROW SINGLE WAFER SMT HEADER </td> </tr> <tr> <td>APPROVED BY</td> <td>DATE</td> </tr> <tr> <td>MRAMAKRISHNA</td> <td>2016/03/22</td> <td> MOLEX INCORPORATED </td> </tr> </table>	DRAWN BY	DATE	TITLE	MRAMAKRISHNA	2015/10/13	CHECKED BY	DATE	CGOH	2015/10/13	CUSTOM HEADER 2.54MM PITCH SINGLE ROW SINGLE WAFER SMT HEADER	APPROVED BY	DATE	MRAMAKRISHNA	2016/03/22	MOLEX INCORPORATED	MATERIAL NO.	DOCUMENT NO.	SHEET NO.				
DRAWN BY	DATE	TITLE																				
MRAMAKRISHNA	2015/10/13																					
CHECKED BY	DATE																					
CGOH	2015/10/13	CUSTOM HEADER 2.54MM PITCH SINGLE ROW SINGLE WAFER SMT HEADER																				
APPROVED BY	DATE																					
MRAMAKRISHNA	2016/03/22	MOLEX INCORPORATED																				
1		DRAFT WHERE APPLICABLE MUST REMAIN WITHIN DIMENSIONS	SEE TABLE	RSD-87898-0001	2 OF 4																	

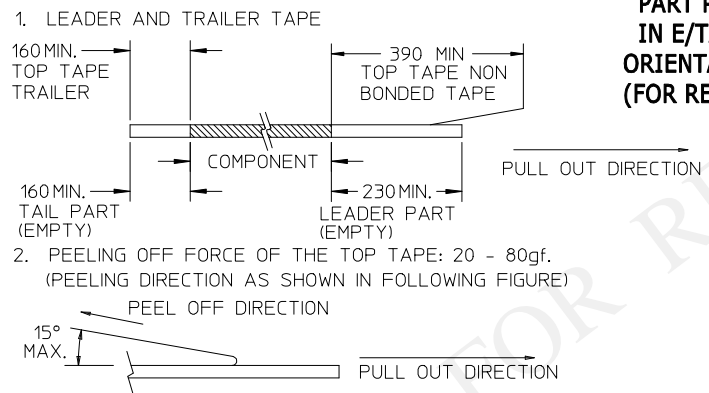
CKT	DIMENSION				
	Bo	Ao	Ko	F	W
3	8.02	5.20	13.60	11.50	24.00

EMBOSSED CARRIER TYPE 'A'



**PART PACK
IN E/TAPE
ORIENTATION
(FOR REF USE)**

NOTES:

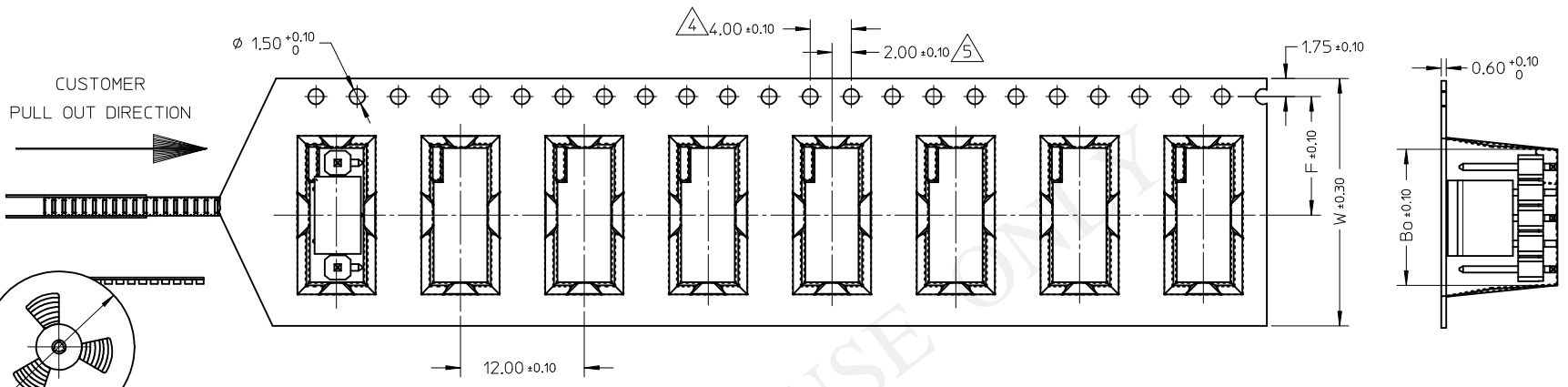


3. MATERIAL: BLACK P.S CONDUCTIVE, BLACK
4. MEASURED FROM CENTRELINE OF SPROCKET HOLE TO CENTRELINE OF SPOCKET
5. CUMULATIVE TOLERANCE OF 10 SPROCKET HOLE IS $\pm 0.20\text{mm}$
6. A0 AND B0 ARE MEASURED FROM ABOVE POCKET BASE 0.30mm
7. TAPE AND REEL SPECIFICATION IS AS PER EIA-481.
8. TAPE AND REEL QUANTITY : 440PCS/REEL
9. THE TAPE IS TREATED FOR ANTI-STATIC.
10. ALL RADIUS ARE 0.30MM UNLESS SPECIFY
11. SURFACE RESISTIVITY 10^3 TO 10^4 OHMS.

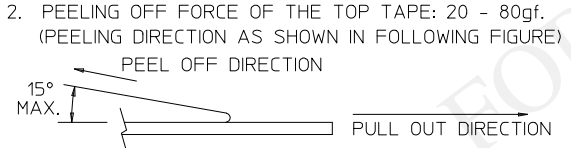
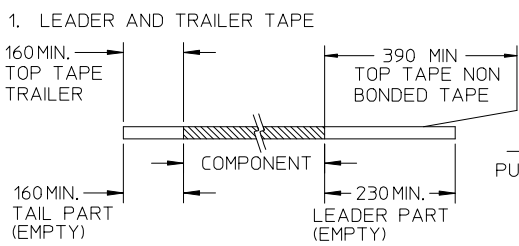
SEE SHEET 2 EC NO: S2016-0353 DRW: MRAMAKRISHNA 2015/10/13 CHKD: CGOH 2015/10/13 APPR: MRAMAKRISHNA 2016/03/22	QUALITY SYMBOLS	GENERAL TOLERANCES (UNLESS SPECIFIED)		DIMENSION STYLE	SCALE	DESIGN UNITS	THIRD ANGLE PROJECTION
	$F_{\Delta} = 0$ $F_{\square} = 0$ $F_{\phi} = 0$	mm	INCH	MM ONLY	NTS	METRIC	
	4 PLACES	\pm ---	\pm ---	DRAWN BY	DATE	TITLE	
	3 PLACES	\pm ---	\pm ---	MRAMAKRISHNA	2015/10/13	CUSTOM HEADER	
	2 PLACES	± 0.2	\pm ---	CHECKED BY	DATE	2.54MM PITCH SINGLE ROW	
	1 PLACE	\pm ---	\pm ---	CGOH	2015/10/13	SINGLE WAFER SMT HEADER	
	ANGULAR $\pm 3^{\circ}$			APPROVED BY	DATE	MOLEX INCORPORATED	
	DRAFT WHERE APPLICABLE MUST REMAIN WITHIN DIMENSIONS			MRAMAKRISHNA	2016/03/22	MOLEX INCORPORATED	
	SIZE	SEE TABLE		MATERIAL NO.	DOCUMENT NO.	SHEET NO.	
	A3	THIS DRAWING CONTAINS INFORMATION THAT IS PROPRIETARY TO MOLEX INCORPORATED AND SHOULD NOT BE USED WITHOUT WRITTEN PERMISSION			RSD-87898-0001	3 OF 4	

10 9 8 7 6 5 4 3 2 1

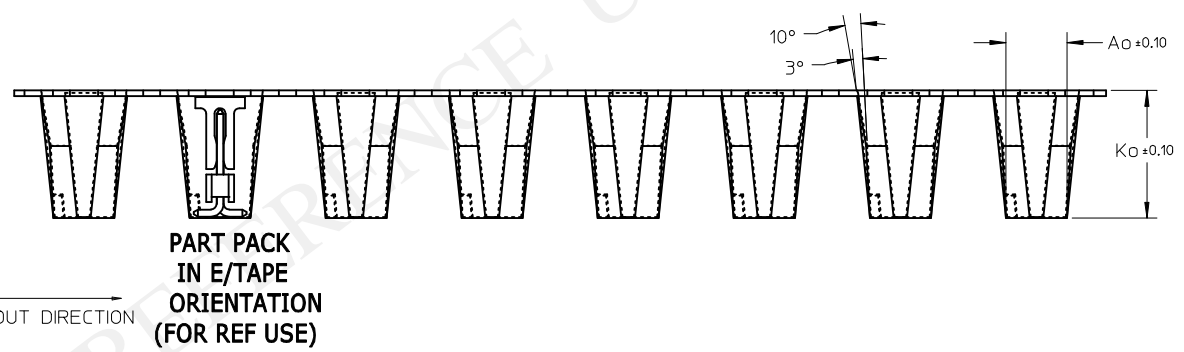
CKT	DIMENSION				
	Bo	Ao	Ko	F	W
5	13.10	5.20	11.30	11.50	24.00



NOTES:

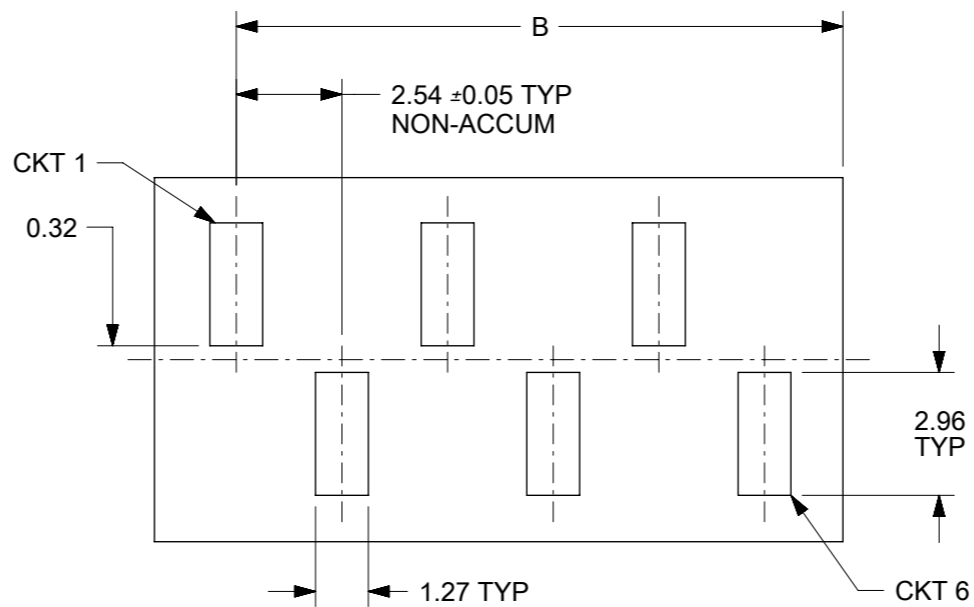
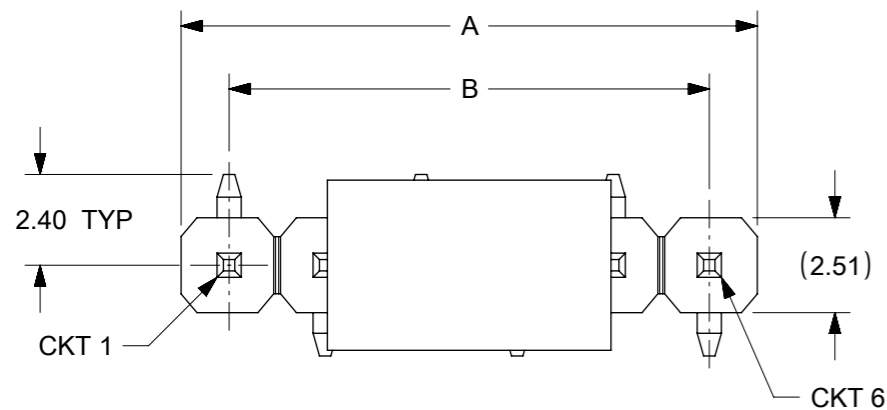


- LEADER AND TRAILER TAPE
- PEELING OFF FORCE OF THE TOP TAPE: 20 - 80gf. (PEELING DIRECTION AS SHOWN IN FOLLOWING FIGURE)
- MATERIAL: BLACK P.S CONDUCTIVE, BLACK MEASURED FROM CENTRELINE OF SPROCKET HOLE TO CENTRELINE OF SPOCKET
- CUMULATIVE TOLERANCE OF 10 SPROCKET HOLE IS ± 0.20 mm
- A0 AND B0 ARE MEASURED FROM ABOVE POCKET BASE 0.30mm
- TAPE AND REEL SPECIFICATION IS AS PER EIA-481.
- TAPE AND REEL QUANTITY : 440PCS/REEL
- THE TAPE IS TREATED FOR ANTI-STATIC.
- ALL RADIUS ARE 0.30MM UNLESS SPECIFY
- SURFACE RESISTIVITY 10^3 TO 10^4 OHMS.

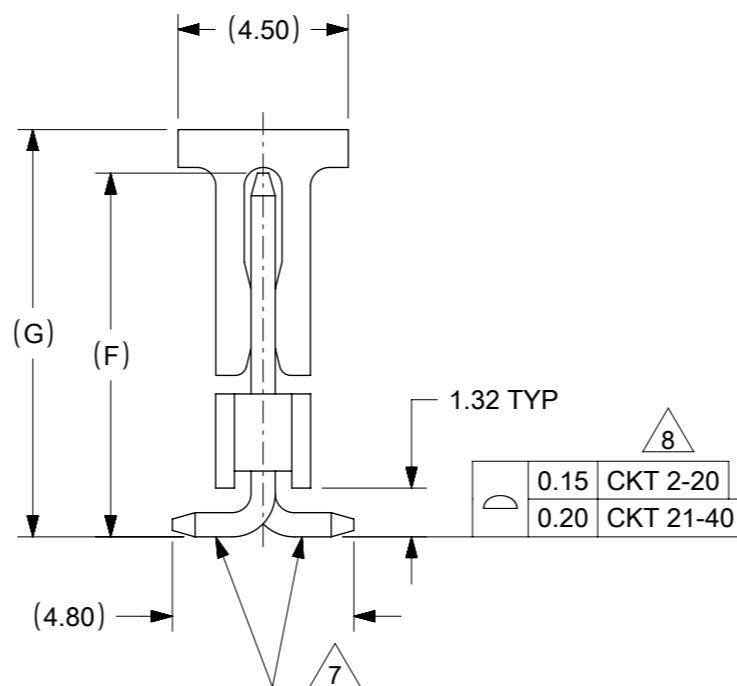
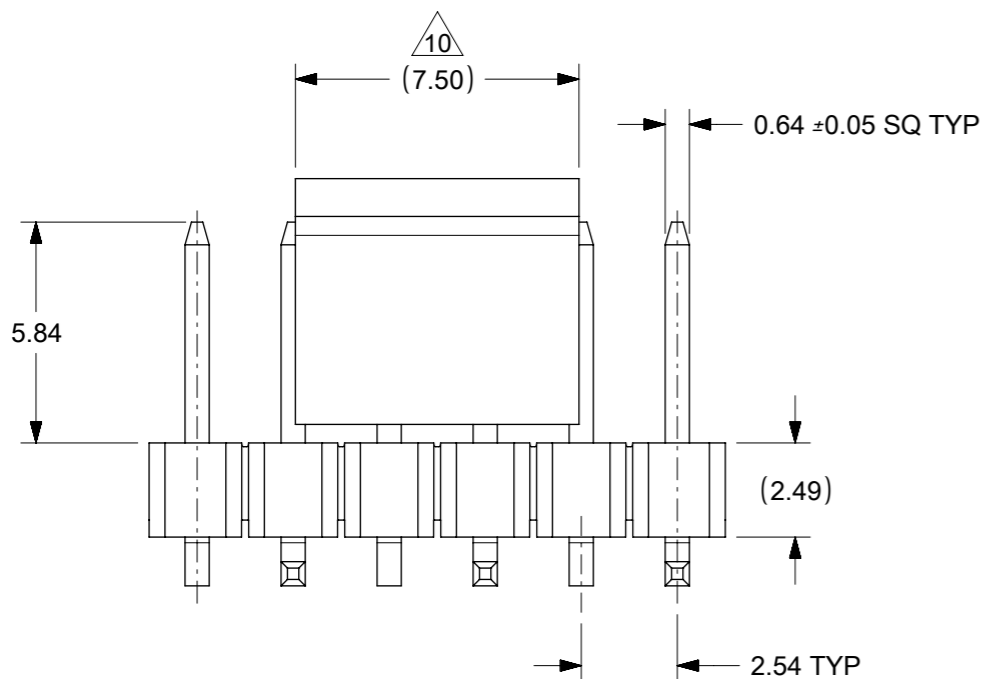


SEE SHEET 2 EC NO: S2016-0353 DRAWN: MRAMAKRISHNA 2015/10/13 CHKD: CGOH 2015/10/13 APPR: MRAMAKRISHNA 2016/03/22	QUALITY SYMBOLS $\nabla F = 0$ $\nabla F = 0$ $\nabla F = 0$	GENERAL TOLERANCES (UNLESS SPECIFIED)		DIMENSION STYLE	SCALE	DESIGN UNITS	THIRD ANGLE PROJECTION
		mm	INCH	MM ONLY	NTS	METRIC	
1	REV	4 PLACES	\pm ---	\pm ---	DRAWN BY	DATE	CUSTOM HEADER 2.54MM PITCH SINGLE ROW SINGLE WAFER SMT HEADER
		3 PLACES	\pm ---	\pm ---	MRAMAKRISHNA	2015/10/13	
		2 PLACES	± 0.2	\pm ---	CHECKED BY	DATE	MOLEX INCORPORATED
		1 PLACE	\pm ---	\pm ---	CGOH	2015/10/13	
		ANGULAR $\pm 3^\circ$		APPROVED BY	DATE	MATERIAL NO. DOCUMENT NO. SHEET NO.	
		DRAFT WHERE APPLICABLE MUST REMAIN WITHIN DIMENSIONS		MRAMAKRISHNA	2016/03/22	SEE TABLE	RSD-87898-0001 4 OF 4
		SIZE	THIS DRAWING CONTAINS INFORMATION THAT IS PROPRIETARY TO MOLEX INCORPORATED AND SHOULD NOT BE USED WITHOUT WRITTEN PERMISSION				
		A3					

9 8 7 6 5 4 3 2 1

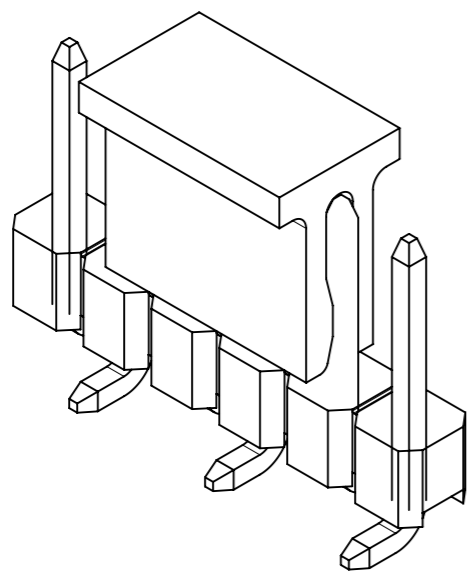


RECOMMENDED PCB LAYOUT: COMPONENT SIDE



NOTES:

- MATERIAL:
HSG: NYLON, GLASS-FILLED, UL94V-0, COLOR: BLACK
CAP: NYLON, GLASS-FILLED, UL94V-0, COLOR: BLACK
PIN: 0.64MM SQ, COPPER ALLOY
- PLATING TYPE:
(1) GOLD FLASH OVER
1.25µm MIN. NICKEL OVERALL.
(2) GOLD FLASH ON CONTACT AND
2.50µm MIN. TIN ON SOLDER TAIL OVER
1.25µm MIN. NICKEL OVERALL.
(4) 0.38µm MIN. GOLD PLATE ON CONTACT AND
2.00µm MIN. TIN ON SOLDER TAIL OVER
1.25µm MIN. NICKEL OVERALL.
(5) 0.75µm MIN. GOLD PLATE ON CONTACT AND
2.00µm MIN. TIN ON SOLDER TAIL OVER
1.25µm MIN. NICKEL OVERALL.
(6) 2.50µm MIN. TIN OVERALL
1.25µm MIN. NICKEL OVERALL
- PRODUCT SPECIFICATION: PS-87920-019
- PACKAGING TYPE: SEE TABLE
- PACKAGING SPEC:
TUBE WITH CAP VERSION: PK-89990-558
TUBE W/O CAP VERSION: PK-89990-545
TRAY W/O CAP: PK-89990-489
EMBOSS TAPE WITH CAP: PK-89990-486 AND PK-87898-400
- WAFER TO BE FLAT WITHIN 0.003 mm/mm
- BEND DEPRESSION IS ACCEPTED SO LONG AS IT DOES NOT AFFECT THE OVERALL COPLANARITY OF TAIL
- COPLANARITY IS TO BE MEASURED BY RESTING THE SOLDER TAIL ON A FLAT SURFACE
- IRREGULAR CIRCUIT CUTOFF WITHIN BREAKAWAY SECTION IS PERMISSIBLE. CUTTING OR CHIPPING OF THE MAIN BODY IS NOT ACCEPTABLE
- CAP LOCATION IS CENTERED ALONG THE MATING ENDS AS SHOWN. TOP SURFACE OF CAP TO BE FLAT FOR THE PURPOSE OF PICK & PLACE BY VACUUM SUCTION NOZZLE
- RECOMMENDED PCB THICKNESS IS 1.60mm±0.10
- THE ABOVE CKT 6 IS FOR ILLUSTRATION PURPOSE ONLY
- TUBE LENGTH AS PER STANDARD 560mm



THIS DRAWING CONTAINS INFORMATION THAT IS PROPRIETARY TO MOLEX ELECTRONIC TECHNOLOGIES, LLC AND SHOULD NOT BE USED WITHOUT WRITTEN PERMISSION

SEE SHEET 2 & 3 EC NO: 110795 DRWN: MRAMAKRISHNA CHK'D: REV APPR: ISHWARG	2016/11/29	GENERAL TOLERANCES (UNLESS SPECIFIED)	DIMENSION UNITS		SCALE				
	2016/12/05		MM	INCH	MM	NTS			
			4 PLACES ±	±	DRWN BY	DATE		CUSTOMER	
			3 PLACES ±	±	YLQIAO	2005/03/14			GENERAL MARKET
			2 PLACES ± 0.2	±	CHK'D BY	DATE			
	1 PLACES ±	±	PTLIM	2005/03/29					
	0 PLACES ±	±	APPR BY	DATE					
		ANGULAR TOL = 3.0	MLONG	2010/10/04					
		DRAFT WHERE APPLICABLE MUST REMAIN WITHIN DIMENSIONS	DRAWING SIZE	THIRD ANGLE PROJECTION					
B16			A3						

RELEASE STATUS	RELEASE DATE
----------------	--------------

9

8

7

6

5

4

3

2


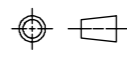
1

PACKAGING OPTION PART NO.

TRAY WITHOUT CAP	TRAY WITH CAP	TUBE WITHOUT CAP	TUBE WITH CAP	TAPE & REEL WITHOUT CAP	TAPE & REEL WITH CAP	CKT SIZE	VOID POSITION	PLATING TYPE	DIMENSION				
									A	B	G	F	M
87898-0301	-----	-----	-----	-----	-----	3	----	1	7.62	5.08	10.81	9.65	5.84
87898-0302	-----	-----	-----	-----	-----	3	----	2	7.62	5.08	10.81	9.65	5.84
87898-0304	-----	-----	-----	-----	87898-0314	3	----	4	7.62	5.08	10.81	9.65	5.84
87898-0305	-----	-----	-----	-----	87898-0315	3	----	5	7.62	5.08	10.81	9.65	5.84
87898-0306	-----	-----	-----	-----	87898-0316	3	----	6	7.62	5.08	10.81	9.65	5.84
-----	-----	-----	-----	-----	87898-0317	3	-----	6	7.62	5.08	10.81	9.65	5.84

REFER TO LAST SHEET FOR 2CKT SIZE


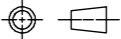
THIS DRAWING CONTAINS INFORMATION THAT IS PROPRIETARY TO MOLEX ELECTRONIC TECHNOLOGIES, LLC AND SHOULD NOT BE USED WITHOUT WRITTEN PERMISSION

ADD P/N: 87898-0317 EC NO: 110795 DRWN: MRAMAKRISHNA CHKD: ISHWARG APPR: ISHWARG	GENERAL TOLERANCES (UNLESS SPECIFIED)		DIMENSION UNITS		SCALE		 CUSTOM HEADER 2.54MM PITCH SINGLE ROW SINGLE WAFER SMT HEADER PRODUCT CUSTOMER DRAWING
			MM	INCH	MM	NTS	
	4 PLACES	±		±	DRWN BY	DATE	
	3 PLACES	±		±	YLQIAO	2005/03/14	
	2 PLACES	± 0.2		±	CHK'D BY	DATE	
	1 PLACES	±		±	PTLIM	2005/03/29	
0 PLACES	±		±	APPR BY	DATE		
				MLONG	2010/10/04		
		ANGULAR TOL = 3.0		DRAWING SIZE	THIRD ANGLE PROJECTION		
		DRAFT WHERE APPLICABLE MUST REMAIN WITHIN DIMENSIONS		A3			
						SERIES: 87898 MATERIAL NUMBER: SEE TABLE CUSTOMER: GENERAL MARKET	
						DOCUMENT NUMBER: SD-87898-001 DOC TYPE: PSD DOC PART: 000 SHEET NUMBER: 2 OF 21	

RELEASE STATUS	RELEASE DATE
----------------	--------------

9		8		7		6		5		4		3		2		1	
PACKAGING OPTION PART NO.						CKT SIZE	VOID POSITION	PLATING TYPE	DIMENSION								
TRAY WITHOUT CAP	TRAY WITH CAP	TUBE WITHOUT CAP	TUBE WITH CAP	TAPE & REEL WITHOUT CAP	TAPE & REEL WITH CAP				A	B	G	F	M				
-----	-----	87898-0421	87898-0431	-----	87898-0451	4	----	1	10.16	7.62	10.81	9.65	5.84				
-----	-----	87898-0422	87898-0432	-----	87898-0452	4	----	2	10.16	7.62	10.81	9.65	5.84				
-----	-----	87898-0424	87898-0434	-----	87898-0454	4	----	4	10.16	7.62	10.81	9.65	5.84				
-----	-----	87898-0425	87898-0435	-----	87898-0455	4	----	5	10.16	7.62	10.81	9.65	5.84				
-----	-----	87898-0426	87898-0436	-----	87898-0456	4	----	6	10.16	7.62	10.81	9.65	5.84				
-----	-----	-----	-----	-----	87898-0457	4	----	6	10.16	7.62	10.81	9.65	5.84				
-----	-----	87898-0521	87898-0531	-----	87898-0551	5	----	1	12.70	10.16	10.81	9.65	5.84				
-----	-----	87898-0522	87898-0532	-----	87898-0552	5	----	2	12.70	10.16	10.81	9.65	5.84				
-----	-----	87898-0524	87898-0534	-----	87898-0554	5	----	4	12.70	10.16	10.81	9.65	5.84				
-----	-----	87898-0525	87898-0535	-----	87898-0555	5	----	5	12.70	10.16	10.81	9.65	5.84				
-----	-----	87898-0526	87898-0536	-----	87898-0556	5	----	6	12.70	10.16	10.81	9.65	5.84				
-----	-----	87898-0621	87898-0631	-----	87898-0651	6	----	1	15.24	12.70	10.81	9.65	5.84				
-----	-----	87898-0622	87898-0632	-----	87898-0652	6	----	2	15.24	12.70	10.81	9.65	5.84				
-----	-----	87898-0624	87898-0634	-----	87898-0654	6	----	4	15.24	12.70	10.81	9.65	5.84				
-----	-----	87898-0625	87898-0635	-----	87898-0655	6	----	5	15.24	12.70	10.81	9.65	5.84				
-----	-----	87898-0626	87898-0636	-----	87898-0656	6	----	6	15.24	12.70	10.81	9.65	5.84				
87898-0607	-----	-----	-----	-----	87898-0657	6	----	6	15.24	12.70	16.47	15.31	11.50				

THIS DRAWING CONTAINS INFORMATION THAT IS PROPRIETARY TO MOLEX ELECTRONIC TECHNOLOGIES, LLC AND SHOULD NOT BE USED WITHOUT WRITTEN PERMISSION

ADD P/N: 87898-0457 EC NO: 110795 DRWN: MRAMAKRISHNA CHK'D: ISHWARG APPR: ISHWARG	GENERAL TOLERANCES (UNLESS SPECIFIED)		DIMENSION UNITS		SCALE		
			MM	INCH	MM	NTS	
	4 PLACES	±	±	DRWN BY	DATE		
	3 PLACES	±	±	YLQIAO	2005/03/14		
	2 PLACES	± 0.2	±	CHK'D BY	DATE		
1 PLACES	±	±	PTLIM	2005/03/29			
0 PLACES	±	±	APPR BY	DATE			
			MLONG	2010/10/04			
ANGULAR TOL = 3.0			DRAWING SIZE	THIRD ANGLE PROJECTION		SERIES: 87898 MATERIAL NUMBER: SEE TABLE CUSTOMER: GENERAL MARKET	
DRAFT WHERE APPLICABLE MUST REMAIN WITHIN DIMENSIONS			A3			DOCUMENT NUMBER: SD-87898-001 DOC TYPE: PSD DOC PART: 000 SHEET NUMBER: 3 OF 21	

RELEASE STATUS	RELEASE DATE
----------------	--------------

9 8 7 6 5 4 3 2 1

PACKAGING OPTION PART NO.

TRAY WITHOUT CAP	TRAY WITH CAP	TUBE		TAPE & REEL		CKT SIZE	VOID POSITION	PLATING TYPE	DIMENSION				
		WITHOUT CAP	WITH CAP	WITHOUT CAP	WITH CAP				A	B	G	F	M
-----	-----	87898-0721	87898-0731	-----	87898-0751	7	-----	1	17.78	15.24	10.81	9.65	5.84
-----	-----	87898-0722	87898-0732	-----	87898-0752	7	-----	2	17.78	15.24	10.81	9.65	5.84
-----	-----	87898-0724	87898-0734	-----	87898-0754	7	-----	4	17.78	15.24	10.81	9.65	5.84
-----	-----	87898-0725	87898-0735	-----	87898-0755	7	-----	5	17.78	15.24	10.81	9.65	5.84
-----	-----	87898-0726	87898-0736	-----	87898-0756	7	-----	6	17.78	15.24	10.81	9.65	5.84
-----	-----	87898-0821	87898-0831	-----	87898-0851	8	-----	1	20.32	17.78	10.81	9.65	5.84
-----	-----	87898-0822	87898-0832	-----	87898-0852	8	-----	2	20.32	17.78	10.81	9.65	5.84
-----	-----	87898-0824	87898-0834	-----	87898-0854	8	-----	4	20.32	17.78	10.81	9.65	5.84
-----	-----	87898-0825	87898-0835	-----	87898-0855	8	-----	5	20.32	17.78	10.81	9.65	5.84
-----	-----	87898-0826	87898-0836	-----	87898-0856	8	-----	6	20.32	17.78	10.81	9.65	5.84
-----	-----	87898-0921	87898-0931	-----	87898-0951	9	-----	1	22.86	20.32	10.81	9.65	5.84
-----	-----	87898-0922	87898-0932	-----	87898-0952	9	-----	2	22.86	20.32	10.81	9.65	5.84
-----	-----	87898-0924	87898-0934	-----	87898-0954	9	-----	4	22.86	20.32	10.81	9.65	5.84
-----	-----	87898-0925	87898-0935	-----	87898-0955	9	-----	5	22.86	20.32	10.81	9.65	5.84
-----	-----	87898-0926	87898-0936	-----	87898-0956	9	-----	6	22.86	20.32	10.81	9.65	5.84

THIS DRAWING CONTAINS INFORMATION THAT IS PROPRIETARY TO MOLEX ELECTRONIC TECHNOLOGIES, LLC AND SHOULD NOT BE USED WITHOUT WRITTEN PERMISSION

SEE SHEET 2 & 3 EC NO: 110795 DRWN: MRAMAKRISHNA CHK'D: ISHWARG APPR: ISHWARG	GENERAL TOLERANCES (UNLESS SPECIFIED)		DIMENSION UNITS		SCALE		 CUSTOM HEADER 2.54MM PITCH SINGLE ROW SINGLE WAFER SMT HEADER PRODUCT CUSTOMER DRAWING			
			MM	INCH	MM	NTS				
	4 PLACES	±			DRWN BY	DATE				
	3 PLACES	±			YLQIAO	2005/03/14				
	2 PLACES	± 0.2			CHK'D BY	DATE				
	1 PLACES	±			PTLIM	2005/03/29				
0 PLACES	±			APPR BY	DATE					
		ANGULAR TOL = 3.0		MLONG	2010/10/04					
		DRAFT WHERE APPLICABLE MUST REMAIN WITHIN DIMENSIONS		DRAWING SIZE	THIRD ANGLE PROJECTION					
				A3						
						SERIES	MATERIAL NUMBER	CUSTOMER		
						87898	SEE TABLE	GENERAL MARKET		
						DOCUMENT NUMBER		DOC TYPE	DOC PART	SHEET NUMBER
						SD-87898-001		PSD	000	4 OF 21


RELEASE STATUS	RELEASE DATE
----------------	--------------

9 8 7 6 5 4 3 2 1

FORMA: Met-lega-master-ib-prod-A3
REVISION: C
DATE: 2016/02/04

PACKAGING OPTION PART NO.						CKT SIZE	VOID POSITION	PLATING TYPE	DIMENSION				
TRAY WITHOUT CAP	TRAY WITH CAP	TUBE WITHOUT CAP	TUBE WITH CAP	TAPE & REEL WITHOUT CAP	TAPE & REEL WITH CAP				A	B	G	F	M
-----	-----	87898-1021	87898-1031	-----	87898-1051	10	----	1	25.40	22.86	10.81	9.65	5.84
-----	-----	87898-1022	87898-1032	-----	87898-1052	10	----	2	25.40	22.86	10.81	9.65	5.84
-----	-----	87898-1024	87898-1034	-----	87898-1054	10	----	4	25.40	22.86	10.81	9.65	5.84
-----	-----	87898-1025	87898-1035	-----	87898-1055	10	----	5	25.40	22.86	10.81	9.65	5.84
-----	-----	87898-1026	87898-1036	-----	87898-1056	10	----	6	25.40	22.86	10.81	9.65	5.84
-----	-----	87898-1121	87898-1131	-----	87898-1151	11	----	1	27.94	25.40	10.81	9.65	5.84
-----	-----	87898-1122	87898-1132	-----	87898-1152	11	----	2	27.94	25.40	10.81	9.65	5.84
-----	-----	87898-1124	87898-1134	-----	87898-1154	11	----	4	27.94	25.40	10.81	9.65	5.84
-----	-----	87898-1125	87898-1135	-----	87898-1155	11	----	5	27.94	25.40	10.81	9.65	5.84
-----	-----	87898-1126	87898-1136	-----	87898-1156	11	----	6	27.94	25.40	10.81	9.65	5.84
-----	-----	87898-1221	87898-1231	-----	87898-1251	12	----	1	30.48	27.94	10.81	9.65	5.84
-----	-----	87898-1222	87898-1232	-----	87898-1252	12	----	2	30.48	27.94	10.81	9.65	5.84
-----	-----	87898-1224	87898-1234	-----	87898-1254	12	----	4	30.48	27.94	10.81	9.65	5.84
-----	-----	87898-1225	87898-1235	-----	87898-1255	12	----	5	30.48	27.94	10.81	9.65	5.84
-----	-----	87898-1226	87898-1236	-----	87898-1256	12	----	6	30.48	27.94	10.81	9.65	5.84

THIS DRAWING CONTAINS INFORMATION THAT IS PROPRIETARY TO MOLEX ELECTRONIC TECHNOLOGIES, LLC AND SHOULD NOT BE USED WITHOUT WRITTEN PERMISSION

SEE SHEET 2 & 3 EC NO: 110795 DRWN: MRAMAKRISHNA CHK'D: ISHWARG APPR: ISHWARG	GENERAL TOLERANCES (UNLESS SPECIFIED)		DIMENSION UNITS		SCALE		 CUSTOM HEADER 2.54MM PITCH SINGLE ROW SINGLE WAFER SMT HEADER PRODUCT CUSTOMER DRAWING	
			MM	INCH	MM	NTS		
	4 PLACES	±			DRWN BY	DATE		
	3 PLACES	±			YLQIAO	2005/03/14		
	2 PLACES	± 0.2			CHK'D BY	DATE		
	1 PLACES	±			PTLIM	2005/03/29		
0 PLACES	±			APPR BY	DATE			
ANGULAR TOL = 3.0				MLONG	2010/10/04	SERIES: 87898 MATERIAL NUMBER: SEE TABLE CUSTOMER: GENERAL MARKET		
DRAFT WHERE APPLICABLE MUST REMAIN WITHIN DIMENSIONS				DRAWING SIZE: A3	THIRD ANGLE PROJECTION			
RELEASE STATUS		RELEASE DATE		DOCUMENT NUMBER: SD-87898-001		DOC TYPE: PSD	DOC PART: 000	SHEET NUMBER: 5 OF 21

9 8 7 6 5 4 3 2 1

PACKAGING OPTION PART NO.

TRAY WITHOUT CAP	TRAY WITH CAP	TUBE		TAPE & REEL		CKT SIZE	VOID POSITION	PLATING TYPE	DIMENSION				
		WITHOUT CAP	WITH CAP	WITHOUT CAP	WITH CAP				A	B	G	F	M
-----	-----	87898-1321	87898-1331	-----	87898-1351	13	-----	1	33.02	30.48	10.81	9.65	5.84
-----	-----	87898-1322	87898-1332	-----	87898-1352	13	-----	2	33.02	30.48	10.81	9.65	5.84
-----	-----	87898-1324	87898-1334	-----	87898-1354	13	-----	4	33.02	30.48	10.81	9.65	5.84
-----	-----	87898-1325	87898-1335	-----	87898-1355	13	-----	5	33.02	30.48	10.81	9.65	5.84
-----	-----	87898-1326	87898-1336	-----	87898-1356	13	-----	6	33.02	30.48	10.81	9.65	5.84
-----	-----	87898-1421	87898-1431	-----	87898-1451	14	-----	1	35.56	33.02	10.81	9.65	5.84
-----	-----	87898-1422	87898-1432	-----	87898-1452	14	-----	2	35.56	33.02	10.81	9.65	5.84
-----	-----	87898-1424	87898-1434	-----	87898-1454	14	-----	4	35.56	33.02	10.81	9.65	5.84
-----	-----	87898-1425	87898-1435	-----	87898-1455	14	-----	5	35.56	33.02	10.81	9.65	5.84
-----	-----	87898-1426	87898-1436	-----	87898-1456	14	-----	6	35.56	33.02	10.81	9.65	5.84
-----	-----	87898-1521	87898-1531	-----	87898-1551	15	-----	1	38.10	35.56	10.81	9.65	5.84
-----	-----	87898-1522	87898-1532	-----	87898-1552	15	-----	2	38.10	35.56	10.81	9.65	5.84
-----	-----	87898-1524	87898-1534	-----	87898-1554	15	-----	4	38.10	35.56	10.81	9.65	5.84
-----	-----	87898-1525	87898-1535	-----	87898-1555	15	-----	5	38.10	35.56	10.81	9.65	5.84
-----	-----	87898-1526	87898-1536	-----	87898-1556	15	-----	6	38.10	35.56	10.81	9.65	5.84

THIS DRAWING CONTAINS INFORMATION THAT IS PROPRIETARY TO MOLEX ELECTRONIC TECHNOLOGIES, LLC AND SHOULD NOT BE USED WITHOUT WRITTEN PERMISSION

SEE SHEET 2 & 3 EC NO: 110795 DRWN: MRAMAKRISHNA CHK'D: ISHWARG APPR: ISHWARG 2016/11/29 2016/12/05	GENERAL TOLERANCES (UNLESS SPECIFIED)		DIMENSION UNITS		SCALE					
			MM	INCH	MM	NTS				
	4 PLACES	±	±	DRWN BY	DATE					
	3 PLACES	±	±	YLQIAO	2005/03/14					
	2 PLACES	± 0.2	±	CHK'D BY	DATE					
1 PLACES	±	±	PTLIM	2005/03/29						
0 PLACES	±	±	APPR BY	DATE						
ANGULAR TOL = 3.0		DRAWING SIZE		THIRD ANGLE PROJECTION		PRODUCT CUSTOMER DRAWING				
DRAFT WHERE APPLICABLE MUST REMAIN WITHIN DIMENSIONS		A3				SERIES	MATERIAL NUMBER	CUSTOMER		
						87898	SEE TABLE	GENERAL MARKET		
						DOCUMENT NUMBER		DOC TYPE	DOC PART	SHEET NUMBER
						SD-87898-001		PSD	000	6 OF 21


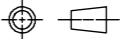
RELEASE STATUS	RELEASE DATE
----------------	--------------

9 8 7 6 5 4 3 2 1

FORMA: Met-lega-master-ib-prod-A3
REVISION: C
DATE: 2016/02/04

PACKAGING OPTION PART NO.						CKT SIZE	VOID POSITION	PLATING TYPE	DIMENSION				
TRAY WITHOUT CAP	TRAY WITH CAP	TUBE WITHOUT CAP	TUBE WITH CAP	TAPE & REEL WITHOUT CAP	TAPE & REEL WITH CAP				A	B	G	F	M
-----	-----	87898-1621	87898-1631	-----	87898-1651	16	----	1	40.64	38.10	10.81	9.65	5.84
-----	-----	87898-1622	87898-1632	-----	87898-1652	16	----	2	40.64	38.10	10.81	9.65	5.84
-----	-----	87898-1624	87898-1634	-----	87898-1654	16	----	4	40.64	38.10	10.81	9.65	5.84
-----	-----	87898-1625	87898-1635	-----	87898-1655	16	----	5	40.64	38.10	10.81	9.65	5.84
-----	-----	87898-1626	87898-1636	-----	87898-1656	16	----	6	40.64	38.10	10.81	9.65	5.84
-----	-----	87898-1721	87898-1731	-----	87898-1751	17	----	1	43.18	40.64	10.81	9.65	5.84
-----	-----	87898-1722	87898-1732	-----	87898-1752	17	----	2	43.18	40.64	10.81	9.65	5.84
-----	-----	87898-1724	87898-1734	-----	87898-1754	17	----	4	43.18	40.64	10.81	9.65	5.84
-----	-----	87898-1725	87898-1735	-----	87898-1755	17	----	5	43.18	40.64	10.81	9.65	5.84
-----	-----	87898-1726	87898-1736	-----	87898-1756	17	----	6	43.18	40.64	10.81	9.65	5.84
-----	-----	87898-1821	87898-1831	-----	87898-1851	18	----	1	45.72	43.18	10.81	9.65	5.84
-----	-----	87898-1822	87898-1832	-----	87898-1852	18	----	2	45.72	43.18	10.81	9.65	5.84
-----	-----	87898-1824	87898-1834	-----	87898-1854	18	----	4	45.72	43.18	10.81	9.65	5.84
-----	-----	87898-1825	87898-1835	-----	87898-1855	18	----	5	45.72	43.18	10.81	9.65	5.84
-----	-----	87898-1826	87898-1836	-----	87898-1856	18	----	6	45.72	43.18	10.81	9.65	5.84

THIS DRAWING CONTAINS INFORMATION THAT IS PROPRIETARY TO MOLEX ELECTRONIC TECHNOLOGIES, LLC AND SHOULD NOT BE USED WITHOUT WRITTEN PERMISSION

SEE SHEET 2 & 3 EC NO: 110795 DRWN: MRAMAKRISHNA CHK'D: ISHWARG APPR: ISHWARG 2016/11/29 2016/12/05	GENERAL TOLERANCES (UNLESS SPECIFIED)		DIMENSION UNITS		SCALE						
			MM	INCH	MM	NTS					
	4 PLACES ±		DRWN BY		DATE		CUSTOM HEADER 2.54MM PITCH SINGLE ROW SINGLE WAFER SMT HEADER				
	3 PLACES ±		YLQIAO		2005/03/14						
	2 PLACES ± 0.2		CHK'D BY		DATE						
	1 PLACES ±		PTLIM		2005/03/29						
	0 PLACES ±		APPR BY		DATE		PRODUCT CUSTOMER DRAWING				
			MLONG		2010/10/04						
	ANGULAR TOL = 3.0		DRAWING SIZE		THIRD ANGLE PROJECTION		SERIES: 87898 MATERIAL NUMBER: SEE TABLE CUSTOMER: GENERAL MARKET				
	DRAFT WHERE APPLICABLE MUST REMAIN WITHIN DIMENSIONS		A3								
RELEASE STATUS		RELEASE DATE		DOCUMENT NUMBER		DOC TYPE		DOC PART		SHEET NUMBER	
B16				SD-87898-001		PSD		000		7 OF 21	

9

8

7

6

5

4

3

2

1

PACKAGING OPTION PART NO.

DIMENSION

E

E

D

D

C

C

B


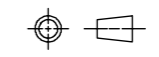
B

A

A

TRAY WITHOUT CAP	TRAY WITH CAP	TUBE WITHOUT CAP	TUBE WITH CAP	TAPE & REEL WITHOUT CAP	TAPE & REEL WITH CAP	CKT SIZE	VOID POSITION	PLATING TYPE	A	B	G	F	M
-----	-----	87898-1921	87898-1931	-----	87898-1951	19	----	1	48.26	45.72	10.81	9.65	5.84
-----	-----	87898-1922	87898-1932	-----	87898-1952	19	----	2	48.26	45.72	10.81	9.65	5.84
-----	-----	87898-1924	87898-1934	-----	87898-1954	19	----	4	48.26	45.72	10.81	9.65	5.84
-----	-----	87898-1925	87898-1935	-----	87898-1955	19	----	5	48.26	45.72	10.81	9.65	5.84
-----	-----	87898-1926	87898-1936	-----	87898-1956	19	----	6	48.26	45.72	10.81	9.65	5.84
-----	-----	87898-2021	87898-2031	-----	87898-2051	20	----	1	50.80	48.26	10.81	9.65	5.84
-----	-----	87898-2022	87898-2032	-----	87898-2052	20	----	2	50.80	48.26	10.81	9.65	5.84
-----	-----	87898-2024	87898-2034	-----	87898-2054	20	----	4	50.80	48.26	10.81	9.65	5.84
-----	-----	87898-2025	87898-2035	-----	87898-2055	20	----	5	50.80	48.26	10.81	9.65	5.84
-----	-----	87898-2026	87898-2036	-----	87898-2056	20	----	6	50.80	48.26	10.81	9.65	5.84
-----	-----	87898-2121	87898-2131	-----	87898-2151	21	----	1	53.34	50.80	10.81	9.65	5.84
-----	-----	87898-2122	87898-2132	-----	87898-2152	21	----	2	53.34	50.80	10.81	9.65	5.84
-----	-----	87898-2124	87898-2134	-----	87898-2154	21	----	4	53.34	50.80	10.81	9.65	5.84
-----	-----	87898-2125	87898-2135	-----	87898-2155	21	----	5	53.34	50.80	10.81	9.65	5.84
-----	-----	87898-2126	87898-2136	-----	87898-2156	21	----	6	53.34	50.80	10.81	9.65	5.84

THIS DRAWING CONTAINS INFORMATION THAT IS PROPRIETARY TO MOLEX ELECTRONIC TECHNOLOGIES, LLC AND SHOULD NOT BE USED WITHOUT WRITTEN PERMISSION

SEE SHEET 2 & 3 EC NO: 110795 DRWN: MRAMAKRISHNA CHK'D: ISHWARG APPR: ISHWARG	GENERAL TOLERANCES (UNLESS SPECIFIED)		DIMENSION UNITS		SCALE		 CUSTOM HEADER 2.54MM PITCH SINGLE ROW SINGLE WAFER SMT HEADER PRODUCT CUSTOMER DRAWING
			MM	INCH	MM	NTS	
	4 PLACES	±			DRWN BY	DATE	
	3 PLACES	±			YLQIAO	2005/03/14	
	2 PLACES	± 0.2			CHK'D BY	DATE	
	1 PLACES	±			PTLIM	2005/03/29	
0 PLACES	±			APPR BY	DATE		
ANGULAR TOL = 3.0		DRAWING SIZE		THIRD ANGLE PROJECTION			
DRAFT WHERE APPLICABLE MUST REMAIN WITHIN DIMENSIONS		A3					
SERIES			MATERIAL NUMBER			CUSTOMER	
87898			SEE TABLE			GENERAL MARKET	
DOCUMENT NUMBER				DOC TYPE		DOC PART	
SD-87898-001				PSD		000	
						SHEET NUMBER	
						8 OF 21	

RELEASE STATUS	RELEASE DATE
----------------	--------------

9

8

7

6

5

4

3


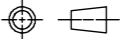
2

1

FORMA: Met-lega-master-ib-prod-A3
REVISION: C
DATE: 2016/02/04

PACKAGING OPTION PART NO.						CKT SIZE	VOID POSITION	PLATING TYPE	DIMENSION				
TRAY WITHOUT CAP	TRAY WITH CAP	TUBE WITHOUT CAP	TUBE WITH CAP	TAPE & REEL WITHOUT CAP	TAPE & REEL WITH CAP				A	B	G	F	M
-----	-----	87898-2221	87898-2231	-----	-----	22	----	1	55.88	53.34	10.81	9.65	5.84
-----	-----	87898-2222	87898-2232	-----	-----	22	----	2	55.88	53.34	10.81	9.65	5.84
-----	-----	87898-2224	87898-2234	-----	-----	22	----	4	55.88	53.34	10.81	9.65	5.84
-----	-----	87898-2225	87898-2235	-----	-----	22	----	5	55.88	53.34	10.81	9.65	5.84
-----	-----	87898-2226	87898-2236	-----	-----	22	----	6	55.88	53.34	10.81	9.65	5.84
-----	-----	87898-2321	87898-2331	-----	-----	23	----	1	58.42	55.88	10.81	9.65	5.84
-----	-----	87898-2322	87898-2332	-----	-----	23	----	2	58.42	55.88	10.81	9.65	5.84
-----	-----	87898-2324	87898-2334	-----	-----	23	----	4	58.42	55.88	10.81	9.65	5.84
-----	-----	87898-2325	87898-2335	-----	-----	23	----	5	58.42	55.88	10.81	9.65	5.84
-----	-----	87898-2326	87898-2336	-----	-----	23	----	6	58.42	55.88	10.81	9.65	5.84
-----	-----	87898-2421	87898-2431	-----	-----	24	----	1	60.96	58.42	10.81	9.65	5.84
-----	-----	87898-2422	87898-2432	-----	-----	24	----	2	60.96	58.42	10.81	9.65	5.84
-----	-----	87898-2424	87898-2434	-----	-----	24	----	4	60.96	58.42	10.81	9.65	5.84
-----	-----	87898-2425	87898-2435	-----	-----	24	----	5	60.96	58.42	10.81	9.65	5.84
-----	-----	87898-2426	87898-2436	-----	-----	24	----	6	60.96	58.42	10.81	9.65	5.84


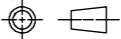
THIS DRAWING CONTAINS INFORMATION THAT IS PROPRIETARY TO MOLEX ELECTRONIC TECHNOLOGIES, LLC AND SHOULD NOT BE USED WITHOUT WRITTEN PERMISSION

SEE SHEET 2 & 3 EC NO: 110795 DRWN: MRAMAKRISHNA CHK'D: ISHWARG APPR: ISHWARG	GENERAL TOLERANCES (UNLESS SPECIFIED)		DIMENSION UNITS		SCALE		 CUSTOM HEADER 2.54MM PITCH SINGLE ROW SINGLE WAFER SMT HEADER PRODUCT CUSTOMER DRAWING
			MM	INCH	MM	NTS	
	4 PLACES	±	MM	INCH	DRWN BY	DATE	
	3 PLACES	±			YLQIAO	2005/03/14	
	2 PLACES	± 0.2			CHK'D BY	DATE	
	1 PLACES	±			PTLIM	2005/03/29	
0 PLACES	±			APPR BY	DATE		
ANGULAR TOL = 3.0		DRAWING SIZE		THIRD ANGLE PROJECTION			
DRAFT WHERE APPLICABLE MUST REMAIN WITHIN DIMENSIONS		A3					
SERIES			MATERIAL NUMBER			CUSTOMER	
87898			SEE TABLE			GENERAL MARKET	
DOCUMENT NUMBER				DOC TYPE		DOC PART	SHEET NUMBER
SD-87898-001				PSD		000	9 OF 21

RELEASE STATUS	RELEASE DATE
----------------	--------------

PACKAGING OPTION PART NO.						CKT SIZE	VOID POSITION	PLATING TYPE	DIMENSION				
TRAY WITHOUT CAP	TRAY WITH CAP	TUBE WITHOUT CAP	TUBE WITH CAP	TAPE & REEL WITHOUT CAP	TAPE & REEL WITH CAP				A	B	G	F	M
-----	-----	87898-2521	87898-2531	-----	-----	25	----	1	63.50	60.96	10.81	9.65	5.84
-----	-----	87898-2522	87898-2532	-----	-----	25	----	2	63.50	60.96	10.81	9.65	5.84
-----	-----	87898-2524	87898-2534	-----	-----	25	----	4	63.50	60.96	10.81	9.65	5.84
-----	-----	87898-2525	87898-2535	-----	-----	25	----	5	63.50	60.96	10.81	9.65	5.84
-----	-----	87898-2526	87898-2536	-----	-----	25	----	6	63.50	60.96	10.81	9.65	5.84
-----	-----	87898-2621	87898-2631	-----	-----	26	----	1	66.04	63.50	10.81	9.65	5.84
-----	-----	87898-2622	87898-2632	-----	-----	26	----	2	66.04	63.50	10.81	9.65	5.84
-----	-----	87898-2624	87898-2634	-----	-----	26	----	4	66.04	63.50	10.81	9.65	5.84
-----	-----	87898-2625	87898-2635	-----	-----	26	----	5	66.04	63.50	10.81	9.65	5.84
-----	-----	87898-2626	87898-2636	-----	-----	26	----	6	66.04	63.50	10.81	9.65	5.84
-----	-----	87898-2721	87898-2731	-----	-----	27	----	1	68.58	66.04	10.81	9.65	5.84
-----	-----	87898-2722	87898-2732	-----	-----	27	----	2	68.58	66.04	10.81	9.65	5.84
-----	-----	87898-2724	87898-2734	-----	-----	27	----	4	68.58	66.04	10.81	9.65	5.84
-----	-----	87898-2725	87898-2735	-----	-----	27	----	5	68.58	66.04	10.81	9.65	5.84
-----	-----	87898-2726	87898-2736	-----	-----	27	----	6	68.58	66.04	10.81	9.65	5.84

THIS DRAWING CONTAINS INFORMATION THAT IS PROPRIETARY TO MOLEX ELECTRONIC TECHNOLOGIES, LLC AND SHOULD NOT BE USED WITHOUT WRITTEN PERMISSION

SEE SHEET 2 & 3 EC NO: 110795 DRWN: MRAMAKRISHNA CHK'D: ISHWARG APPR: ISHWARG 2016/11/29 2016/12/05	GENERAL TOLERANCES (UNLESS SPECIFIED)		DIMENSION UNITS		SCALE		 CUSTOM HEADER 2.54MM PITCH SINGLE ROW SINGLE WAFER SMT HEADER PRODUCT CUSTOMER DRAWING
	MM	INCH	MM	NTS			
	4 PLACES ±	±	DRWN BY	DATE			
	3 PLACES ±	±	YLQIAO	2005/03/14			
	2 PLACES ± 0.2	±	CHK'D BY	DATE			
	1 PLACES ±	±	PTLIM	2005/03/29			
	0 PLACES ±	±	APPR BY	DATE			
	ANGULAR TOL = 3.0		MLONG	2010/10/04			
	DRAFT WHERE APPLICABLE MUST REMAIN WITHIN DIMENSIONS		DRAWING SIZE	THIRD ANGLE PROJECTION			
			A3				


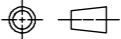
SERIES	MATERIAL NUMBER	CUSTOMER
87898	SEE TABLE	GENERAL MARKET
DOCUMENT NUMBER	DOC TYPE	DOC PART
SD-87898-001	PSD	000
SHEET NUMBER		
10 OF 21		

RELEASE STATUS	RELEASE DATE
----------------	--------------

PACKAGING OPTION PART NO.

TRAY WITHOUT CAP	TRAY WITH CAP	TUBE		TAPE & REEL		CKT SIZE	VOID POSITION	PLATING TYPE	DIMENSION				
		WITHOUT CAP	WITH CAP	WITHOUT CAP	WITH CAP				A	B	G	F	M
-----	-----	87898-2821	87898-2831	-----	-----	28	----	1	71.12	68.58	10.81	9.65	5.84
-----	-----	87898-2822	87898-2832	-----	-----	28	----	2	71.12	68.58	10.81	9.65	5.84
-----	-----	87898-2824	87898-2834	-----	-----	28	----	4	71.12	68.58	10.81	9.65	5.84
-----	-----	87898-2825	87898-2835	-----	-----	28	----	5	71.12	68.58	10.81	9.65	5.84
-----	-----	87898-2826	87898-2836	-----	-----	28	----	6	71.12	68.58	10.81	9.65	5.84
-----	-----	87898-2921	87898-2931	-----	-----	29	----	1	73.66	71.12	10.81	9.65	5.84
-----	-----	87898-2922	87898-2932	-----	-----	29	----	2	73.66	71.12	10.81	9.65	5.84
-----	-----	87898-2924	87898-2934	-----	-----	29	----	4	73.66	71.12	10.81	9.65	5.84
-----	-----	87898-2925	87898-2935	-----	-----	29	----	5	73.66	71.12	10.81	9.65	5.84
-----	-----	87898-2926	87898-2936	-----	-----	29	----	6	73.66	71.12	10.81	9.65	5.84
-----	-----	87898-3021	87898-3031	-----	-----	30	----	1	76.20	73.66	10.81	9.65	5.84
-----	-----	87898-3022	87898-3032	-----	-----	30	----	2	76.20	73.66	10.81	9.65	5.84
-----	-----	87898-3024	87898-3034	-----	-----	30	----	4	76.20	73.66	10.81	9.65	5.84
-----	-----	87898-3025	87898-3035	-----	-----	30	----	5	76.20	73.66	10.81	9.65	5.84
-----	-----	87898-3026	87898-3036	-----	-----	30	----	6	76.20	73.66	10.81	9.65	5.84

THIS DRAWING CONTAINS INFORMATION THAT IS PROPRIETARY TO MOLEX ELECTRONIC TECHNOLOGIES, LLC AND SHOULD NOT BE USED WITHOUT WRITTEN PERMISSION


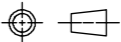
SEE SHEET 2 & 3 EC NO: 110795 DRWN: MRAMAKRISHNA CHK'D: ISHWARG APPR: ISHWARG 2016/11/29 2016/12/05	GENERAL TOLERANCES (UNLESS SPECIFIED)		DIMENSION UNITS		SCALE					
			MM	INCH	MM	NTS				
	4 PLACES ±		MM	INCH	DRWN BY	DATE		CUSTOM HEADER 2.54MM PITCH SINGLE ROW SINGLE WAFER SMT HEADER		
	3 PLACES ±				YLQIAO	2005/03/14				
	2 PLACES ± 0.2				CHK'D BY	DATE				
	1 PLACES ±				PTLIM	2005/03/29		PRODUCT CUSTOMER DRAWING		
0 PLACES ±				APPR BY	DATE					
ANGULAR TOL = 3.0		DRAFT WHERE APPLICABLE MUST REMAIN WITHIN DIMENSIONS		MLONG	2010/10/04		SERIES	MATERIAL NUMBER	CUSTOMER	
				DRAWING SIZE	THIRD ANGLE PROJECTION		87898	SEE TABLE	GENERAL MARKET	
				A3			DOCUMENT NUMBER	DOC TYPE	DOC PART	SHEET NUMBER
							SD-87898-001	PSD	000	11 OF 21

RELEASE STATUS	RELEASE DATE
----------------	--------------

FORMA: Met-lega-master-ib-prod-A3
 REVISION: C
 DATE: 2016/02/04


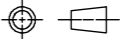
PACKAGING OPTION PART NO.						CKT SIZE	VOID POSITION	PLATING TYPE	DIMENSION				
TRAY WITHOUT CAP	TRAY WITH CAP	TUBE WITHOUT CAP	TUBE WITH CAP	TAPE & REEL WITHOUT CAP	TAPE & REEL WITH CAP				A	B	G	F	M
-----	-----	87898-3121	87898-3131	-----	-----	31	----	1	78.74	76.20	10.81	9.65	5.84
-----	-----	87898-3122	87898-3132	-----	-----	31	----	2	78.74	76.20	10.81	9.65	5.84
-----	-----	87898-3124	87898-3134	-----	-----	31	----	4	78.74	76.20	10.81	9.65	5.84
-----	-----	87898-3125	87898-3135	-----	-----	31	----	5	78.74	76.20	10.81	9.65	5.84
-----	-----	87898-3126	87898-3136	-----	-----	31	----	6	78.74	76.20	10.81	9.65	5.84
-----	-----	87898-3221	87898-3231	-----	-----	32	----	1	81.28	78.74	10.81	9.65	5.84
-----	-----	87898-3222	87898-3232	-----	-----	32	----	2	81.28	78.74	10.81	9.65	5.84
-----	-----	87898-3224	87898-3234	-----	-----	32	----	4	81.28	78.74	10.81	9.65	5.84
-----	-----	87898-3225	87898-3235	-----	-----	32	----	5	81.28	78.74	10.81	9.65	5.84
-----	-----	87898-3226	87898-3236	-----	-----	32	----	6	81.28	78.74	10.81	9.65	5.84
-----	-----	87898-3321	87898-3331	-----	-----	33	----	1	83.82	81.28	10.81	9.65	5.84
-----	-----	87898-3322	87898-3332	-----	-----	33	----	2	83.82	81.28	10.81	9.65	5.84
-----	-----	87898-3324	87898-3334	-----	-----	33	----	4	83.82	81.28	10.81	9.65	5.84
-----	-----	87898-3325	87898-3335	-----	-----	33	----	5	83.82	81.28	10.81	9.65	5.84
-----	-----	87898-3326	87898-3336	-----	-----	33	----	6	83.82	81.28	10.81	9.65	5.84

THIS DRAWING CONTAINS INFORMATION THAT IS PROPRIETARY TO MOLEX ELECTRONIC TECHNOLOGIES, LLC AND SHOULD NOT BE USED WITHOUT WRITTEN PERMISSION

SEE SHEET 2 & 3 EC NO: 110795 DRWN: MRAMAKRISHNA CHK'D: ISHWARG APPR: ISHWARG	GENERAL TOLERANCES (UNLESS SPECIFIED)		DIMENSION UNITS		SCALE		 CUSTOM HEADER 2.54MM PITCH SINGLE ROW SINGLE WAFER SMT HEADER PRODUCT CUSTOMER DRAWING
			MM	INCH	MM	NTS	
	4 PLACES	±	MM	INCH	DRWN BY	DATE	
	3 PLACES	±			YLQIAO	2005/03/14	
	2 PLACES	± 0.2			CHK'D BY	DATE	
	1 PLACES	±			PTLIM	2005/03/29	
0 PLACES	±			APPR BY	DATE		
		ANGULAR TOL = 3.0	DRAWING SIZE		THIRD ANGLE PROJECTION		
		DRAFT WHERE APPLICABLE MUST REMAIN WITHIN DIMENSIONS	A3				
RELEASE STATUS			RELEASE DATE			DOCUMENT NUMBER	
						SD-87898-001	
						DOC TYPE	DOC PART
						PSD	000
						SHEET NUMBER	
						12 OF 21	

PACKAGING OPTION PART NO.						CKT SIZE	VOID POSITION	PLATING TYPE	DIMENSION				
TRAY WITHOUT CAP	TRAY WITH CAP	TUBE WITHOUT CAP	TUBE WITH CAP	TAPE & REEL WITHOUT CAP	TAPE & REEL WITH CAP				A	B	G	F	M
-----	-----	87898-3421	87898-3431	-----	-----	34	----	1	86.36	83.82	10.81	9.65	5.84
-----	-----	87898-3422	87898-3432	-----	-----	34	----	2	86.36	83.82	10.81	9.65	5.84
-----	-----	87898-3424	87898-3434	-----	-----	34	----	4	86.36	83.82	10.81	9.65	5.84
-----	-----	87898-3425	87898-3435	-----	-----	34	----	5	86.36	83.82	10.81	9.65	5.84
-----	-----	87898-3426	87898-3436	-----	-----	34	----	6	86.36	83.82	10.81	9.65	5.84
-----	-----	87898-3521	87898-3531	-----	-----	35	----	1	88.90	86.36	10.81	9.65	5.84
-----	-----	87898-3522	87898-3532	-----	-----	35	----	2	88.90	86.36	10.81	9.65	5.84
-----	-----	87898-3524	87898-3534	-----	-----	35	----	4	88.90	86.36	10.81	9.65	5.84
-----	-----	87898-3525	87898-3535	-----	-----	35	----	5	88.90	86.36	10.81	9.65	5.84
-----	-----	87898-3526	87898-3536	-----	-----	35	----	6	88.90	86.36	10.81	9.65	5.84
-----	-----	87898-3621	87898-3631	-----	-----	36	----	1	91.44	88.90	10.81	9.65	5.84
-----	-----	87898-3622	87898-3632	-----	-----	36	----	2	91.44	88.90	10.81	9.65	5.84
-----	-----	87898-3624	87898-3634	-----	-----	36	----	4	91.44	88.90	10.81	9.65	5.84
-----	-----	87898-3625	87898-3635	-----	-----	36	----	5	91.44	88.90	10.81	9.65	5.84
-----	-----	87898-3626	87898-3636	-----	-----	36	----	6	91.44	88.90	10.81	9.65	5.84


THIS DRAWING CONTAINS INFORMATION THAT IS PROPRIETARY TO MOLEX ELECTRONIC TECHNOLOGIES, LLC AND SHOULD NOT BE USED WITHOUT WRITTEN PERMISSION

SEE SHEET 2 & 3 EC NO: 110795 DRWN: MRAMAKRISHNA CHK'D: ISHWARG APPR: ISHWARG 2016/11/29 2016/12/05	GENERAL TOLERANCES (UNLESS SPECIFIED)		DIMENSION UNITS		SCALE				
		MM	INCH	MM	NTS				
	4 PLACES	±	±	DRWN BY	DATE		CUSTOM HEADER 2.54MM PITCH SINGLE ROW SINGLE WAFER SMT HEADER		
	3 PLACES	±	±	YLQIAO	2005/03/14				
	2 PLACES	± 0.2	±	CHK'D BY	DATE				
	1 PLACES	±	±	PTLIM	2005/03/29		PRODUCT CUSTOMER DRAWING		
	0 PLACES	±	±	APPR BY	DATE				
	ANGULAR TOL = 3.0			MLONG	2010/10/04		SERIES	MATERIAL NUMBER	CUSTOMER
	DRAFT WHERE APPLICABLE MUST REMAIN WITHIN DIMENSIONS			DRAWING SIZE	THIRD ANGLE PROJECTION		87898	SEE TABLE	GENERAL MARKET
				A3			DOCUMENT NUMBER	DOC TYPE	DOC PART
						SD-87898-001	PSD	000	13 OF 21

RELEASE STATUS	RELEASE DATE
----------------	--------------

PACKAGING OPTION PART NO.						CKT SIZE	VOID POSITION	PLATING TYPE	DIMENSION				
TRAY WITHOUT CAP	TRAY WITH CAP	TUBE WITHOUT CAP	TUBE WITH CAP	TAPE & REEL WITHOUT CAP	TAPE & REEL WITH CAP				A	B	G	F	M
-----	-----	87898-3721	87898-3731	-----	-----	37	----	1	93.98	91.44	10.81	9.65	5.84
-----	-----	87898-3722	87898-3732	-----	-----	37	----	2	93.98	91.44	10.81	9.65	5.84
-----	-----	87898-3724	87898-3734	-----	-----	37	----	4	93.98	91.44	10.81	9.65	5.84
-----	-----	87898-3725	87898-3735	-----	-----	37	----	5	93.98	91.44	10.81	9.65	5.84
-----	-----	87898-3726	87898-3736	-----	-----	37	----	6	93.98	91.44	10.81	9.65	5.84
-----	-----	87898-3821	87898-3831	-----	-----	38	----	1	96.52	93.98	10.81	9.65	5.84
-----	-----	87898-3822	87898-3832	-----	-----	38	----	2	96.52	93.98	10.81	9.65	5.84
-----	-----	87898-3824	87898-3834	-----	-----	38	----	4	96.52	93.98	10.81	9.65	5.84
-----	-----	87898-3825	87898-3835	-----	-----	38	----	5	96.52	93.98	10.81	9.65	5.84
-----	-----	87898-3826	87898-3836	-----	-----	38	----	6	96.52	93.98	10.81	9.65	5.84
-----	-----	87898-3921	87898-3931	-----	-----	39	----	1	99.06	96.52	10.81	9.65	5.84
-----	-----	87898-3922	87898-3932	-----	-----	39	----	2	99.06	96.52	10.81	9.65	5.84
-----	-----	87898-3924	87898-3934	-----	-----	39	----	4	99.06	96.52	10.81	9.65	5.84
-----	-----	87898-3925	87898-3935	-----	-----	39	----	5	99.06	96.52	10.81	9.65	5.84
-----	-----	87898-3926	87898-3936	-----	-----	39	----	6	99.06	96.52	10.81	9.65	5.84

THIS DRAWING CONTAINS INFORMATION THAT IS PROPRIETARY TO MOLEX ELECTRONIC TECHNOLOGIES, LLC AND SHOULD NOT BE USED WITHOUT WRITTEN PERMISSION

SEE SHEET 2 & 3 EC NO: 110795 DRWN: MRAMAKRISHNA CHK'D: ISHWARG APPR: ISHWARG	GENERAL TOLERANCES (UNLESS SPECIFIED)		DIMENSION UNITS		SCALE					
	4 PLACES	±	MM	INCH	MM	NTS				
	3 PLACES	±	DRWN BY		DATE		CUSTOM HEADER 2.54MM PITCH SINGLE ROW SINGLE WAFER SMT HEADER			
	2 PLACES	± 0.2	YLQIAO		2005/03/14					
	1 PLACES	±	CHK'D BY		DATE					
	0 PLACES	±	PTLIM		2005/03/29		PRODUCT CUSTOMER DRAWING			
	ANGULAR TOL = 3.0		APPR BY		DATE					
	DRAFT WHERE APPLICABLE MUST REMAIN WITHIN DIMENSIONS		MLONG		2010/10/04		SERIES	MATERIAL NUMBER	CUSTOMER	
	A3		DRAWING SIZE		THIRD ANGLE PROJECTION		87898	SEE TABLE	GENERAL MARKET	
	B16		REV		DATE		DOCUMENT NUMBER		DOC TYPE	DOC PART
						SD-87898-001		PSD	000	14 OF 21

RELEASE STATUS	RELEASE DATE
----------------	--------------

9

8

7

6

5

4

3

2

1

PACKAGING OPTION PART NO.

TRAY WITHOUT CAP	TRAY WITH CAP	TUBE		TAPE & REEL		CKT SIZE	VOID POSITION	PLATING TYPE	DIMENSION				
		WITHOUT CAP	WITH CAP	WITHOUT CAP	WITH CAP				A	B	G	F	M
-----	-----	87898-4021	87898-4031	-----	-----	40	-----	1	101.60	99.06	10.81	9.65	5.84
-----	-----	87898-4022	87898-4032	-----	-----	40	-----	2	101.60	99.06	10.81	9.65	5.84
-----	-----	87898-4024	87898-4034	-----	-----	40	-----	4	101.60	99.06	10.81	9.65	5.84
-----	-----	87898-4025	87898-4035	-----	-----	40	-----	5	101.60	99.06	10.81	9.65	5.84
-----	-----	87898-4026	87898-4036	-----	-----	40	-----	6	101.60	99.06	10.81	9.65	5.84

E

E

D

D

C

C


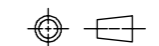
B

B

A

A

THIS DRAWING CONTAINS INFORMATION THAT IS PROPRIETARY TO MOLEX ELECTRONIC TECHNOLOGIES, LLC AND SHOULD NOT BE USED WITHOUT WRITTEN PERMISSION

SEE SHEET 2 & 3 EC NO: 110795 DRWN: MRAMAKRISHNA CHK'D: REV APPR: ISHWARG	2016/11/29		2016/12/05		GENERAL TOLERANCES (UNLESS SPECIFIED)		DIMENSION UNITS		SCALE						
							MM INCH		MM NTS						
	4 PLACES		±		±		YLQIAO		DATE		CUSTOM HEADER 2.54MM PITCH SINGLE ROW SINGLE WAFER SMT HEADER				
	3 PLACES		±		±		CHK'D BY		DATE						
	2 PLACES		± 0.2		±		PTLIM		2005/03/29						
	1 PLACES		±		±		APPR BY		DATE		PRODUCT CUSTOMER DRAWING				
	0 PLACES		±		±		MLONG		2010/10/04						
	ANGULAR TOL = 3.0						DRAWING SIZE		THIRD ANGLE PROJECTION		SERIES	MATERIAL NUMBER		CUSTOMER	
	DRAFT WHERE APPLICABLE MUST REMAIN WITHIN DIMENSIONS						A3				87898	SEE TABLE		GENERAL MARKET	
	RELEASE STATUS		RELEASE DATE								DOCUMENT NUMBER		DOC TYPE	DOC PART	SHEET NUMBER
B16										SD-87898-001		PSD	000	15 OF 21	

FORMA: Met-lega-master-ib-prod-A3
 REVISION: C
 DATE: 2016/02/04

9

8

7

6

5

4

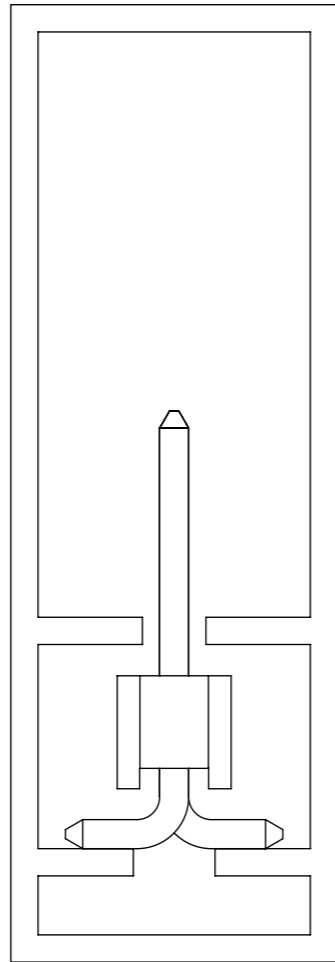
3

2

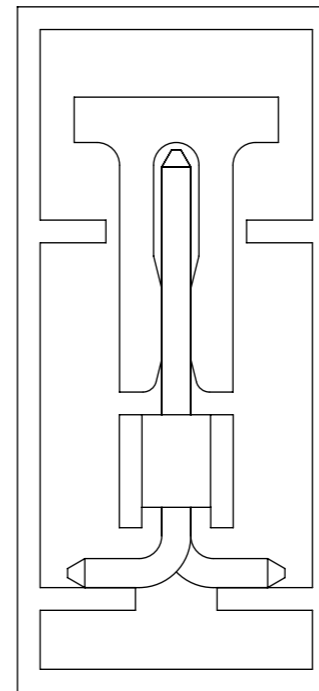
1

E

PART WITHOUT CAP
IN TUBE ORIENTATION



PART WITH CAP
IN TUBE ORIENTATION



C

B

A

THIS DRAWING CONTAINS INFORMATION THAT IS PROPRIETARY TO MOLEX ELECTRONIC TECHNOLOGIES, LLC AND SHOULD NOT BE USED WITHOUT WRITTEN PERMISSION

SEE SHEET 2 & 3	EC NO: 110795	2016/11/29	GENERAL TOLERANCES (UNLESS SPECIFIED)		DIMENSION UNITS		SCALE		molex CUSTOM HEADER 2.54MM PITCH SINGLE ROW SINGLE WAFER SMT HEADER				
	DRWN: MRAMAKRISHNA	2016/12/05	MM	INCH	MM	NTS	DRWN BY	DATE					
	CHK'D:		4 PLACES	±	±	YLQIAO	2005/03/14	CHK'D BY	DATE	PRODUCT CUSTOMER DRAWING			
	APP'R: ISHWARG		3 PLACES	±	±	PTLIM	2005/03/29	APPR BY	DATE				
	REV	B16	0 PLACES	±	±	MLONG	2010/10/04	DRAWING SIZE	THIRD ANGLE PROJECTION	SERIES	MATERIAL NUMBER	CUSTOMER	
		ANGULAR TOL = 3.0			A3			87898	SEE TABLE	GENERAL MARKET			
		DRAFT WHERE APPLICABLE MUST REMAIN WITHIN DIMENSIONS							DOCUMENT NUMBER	DOC TYPE	DOC PART	SHEET NUMBER	
									SD-87898-001	PSD	000	16 OF 21	

RELEASE STATUS	RELEASE DATE											
----------------	--------------	--	--	--	--	--	--	--	--	--	--	--

9

8

7

6

5

4

3

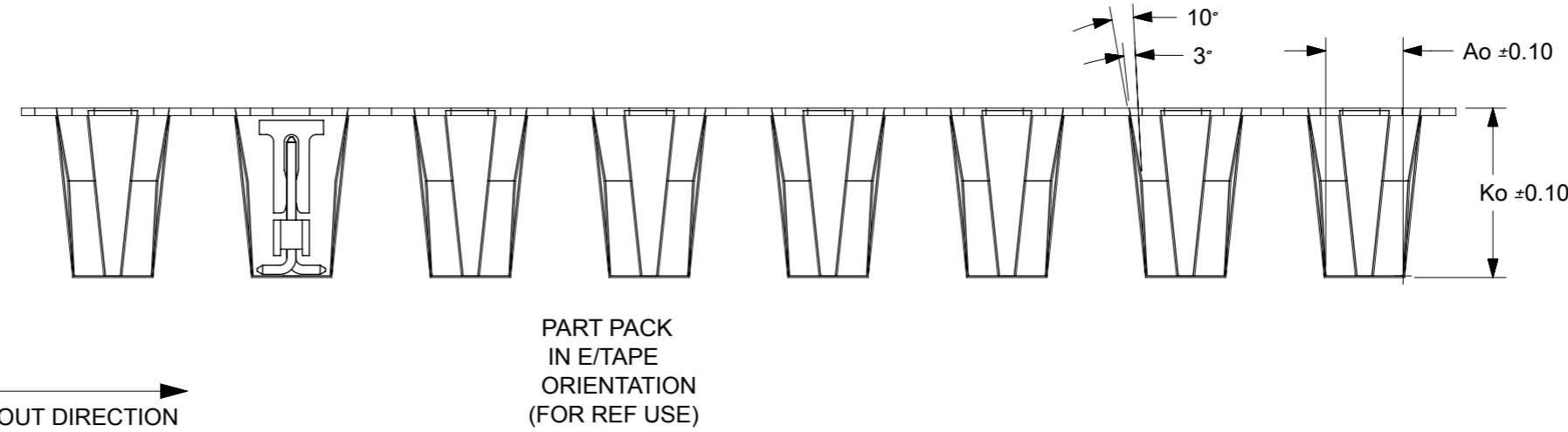
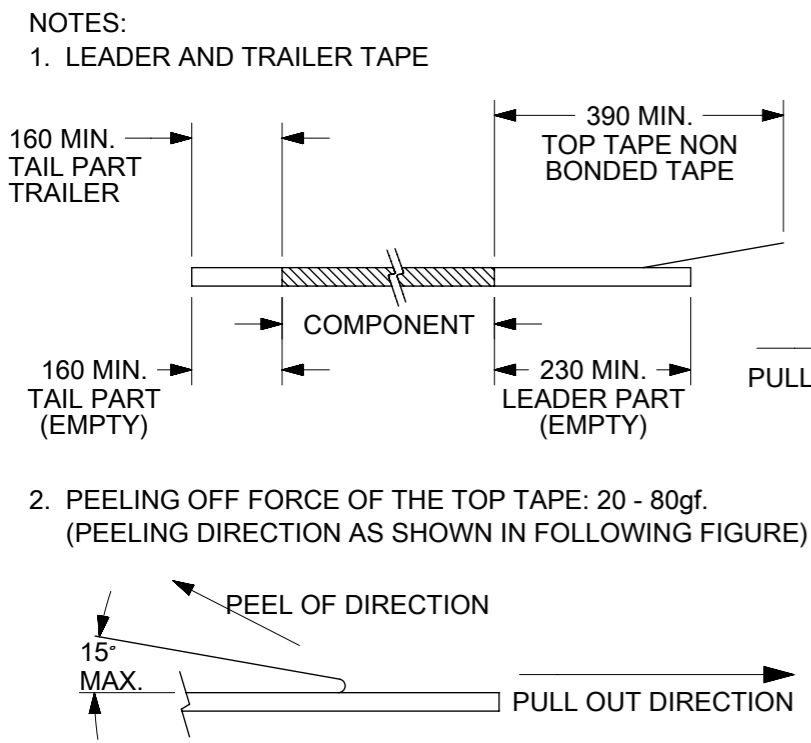
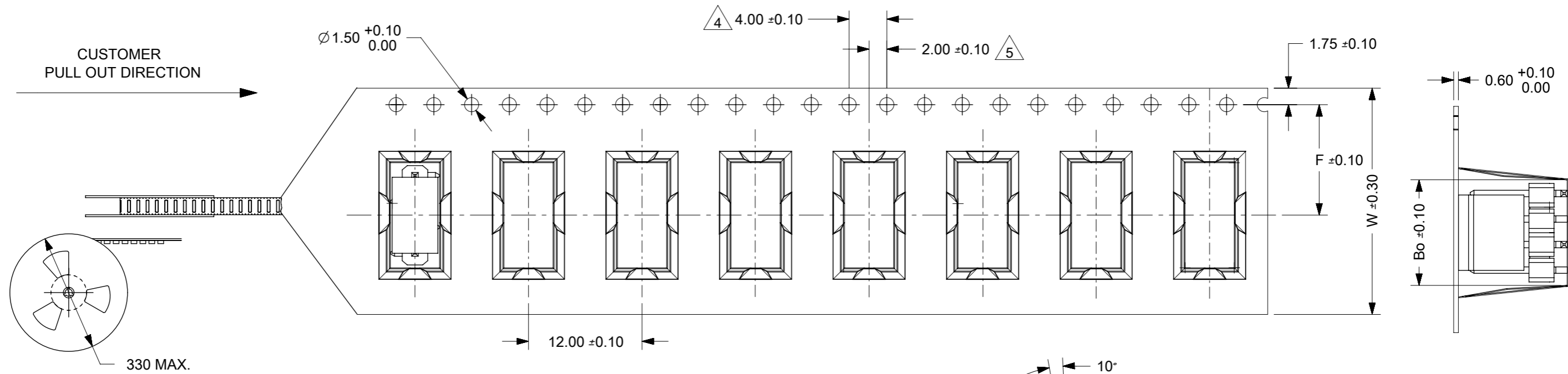
2

1

FORMA: Met-lega-master-tp-prod-A3
REVISION: C
DATE: 2016/02/04

EMBOSED CARRIER TYPE 'A'

CKT	DIMENSION				
	Bo	Ao	Ko	F	W
2	8.02	5.20	13.60	11.50	24.00
3	8.02	5.20	13.60	11.50	24.00
4	10.55	5.20	13.60	11.50	24.00

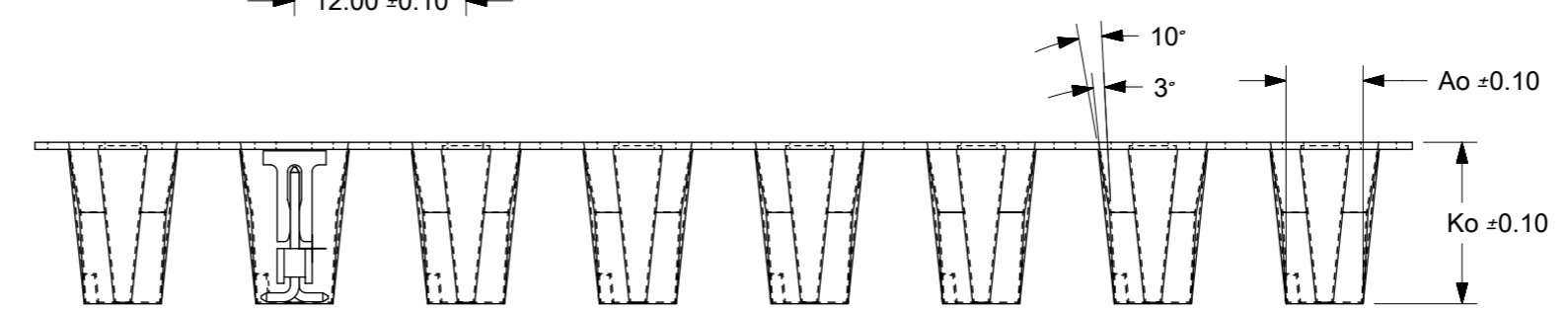
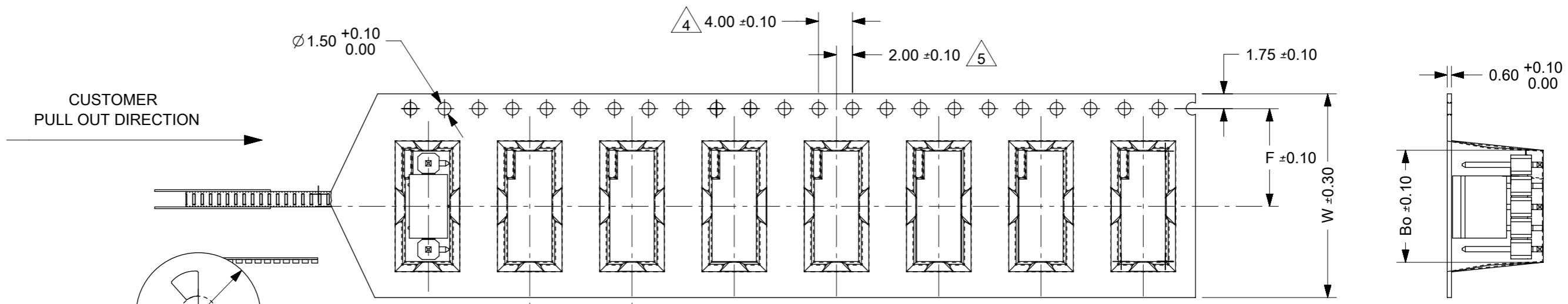


- MATERIAL: BLACK P.S CONDUCTIVE, BLACK
- MEASURED FROM CENTRELINE OF SPROCKET HOLE TO CENTRELINE OF SPOCKET
- CUMULATIVE TOLERANCE OF 10 SPROCKET HOLE IS ±0.20mm
- A0 AND B0 ARE MEASURE FROM ABOVE POCKET BASE 0.30mm
- TAPE AND REEL SPECIFICATION IS AS PER EIA-481.
- TAPE AND REEL QUANTITY : 440PCS/REEL
- THE TAPE IS TREATED FOR ANTI-STATIC.
- ALL RADIUS ARE 0.30MM UNLESS SPECIFY
- SURFACE RESISTIVITY 10³ TO 10 OHMS.

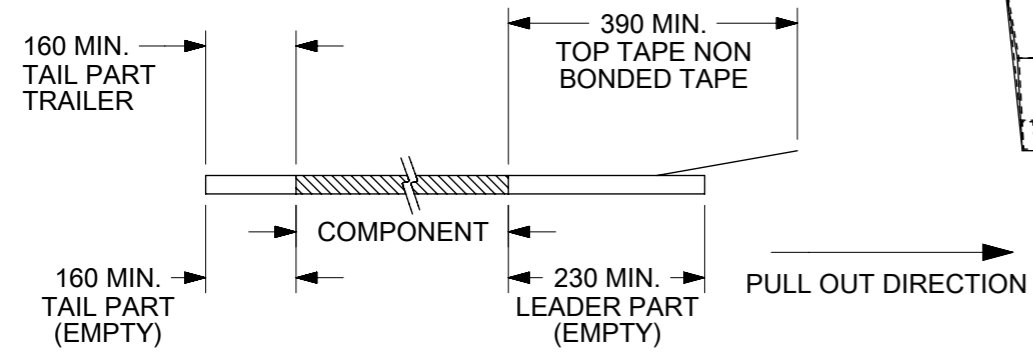
THIS DRAWING CONTAINS INFORMATION THAT IS PROPRIETARY TO MOLEX ELECTRONIC TECHNOLOGIES, LLC AND SHOULD NOT BE USED WITHOUT WRITTEN PERMISSION

SEE SHEET 2 & 3	EC NO: 110795	2016/11/29	GENERAL TOLERANCES (UNLESS SPECIFIED)		DIMENSION UNITS	SCALE	<p>CUSTOM HEADER</p> <p>2.54MM PITCH SINGLE ROW SINGLE WAFER SMT HEADER</p> <p>PRODUCT CUSTOMER DRAWING</p>	
	DRWN: MRAMAKRISHNA	2016/12/05	MM	INCH	MM	NTS		
	CHK'D:		4 PLACES	±	±	DRWN BY		DATE
	APPR: ISHWARG		3 PLACES	±	±	YLQIAO		2005/03/14
			2 PLACES	± 0.2	±	CHK'D BY		DATE
		1 PLACES	±	±	PTLIM	2005/03/29		
		0 PLACES	±	±	APPR BY	DATE		
					MLONG	2010/10/04		
					DRAWING SIZE	THIRD ANGLE PROJECTION		
					A3			
					DRAFT WHERE APPLICABLE MUST REMAIN WITHIN DIMENSIONS			
RELEASE STATUS	RELEASE DATE				SERIES	MATERIAL NUMBER	CUSTOMER	
					87898	SEE TABLE	GENERAL MARKET	
					DOCUMENT NUMBER	DOC TYPE	DOC PART SHEET NUMBER	
					SD-87898-001	PSD	000 17 OF 21	

CKT	DIMENSION				
	Bo	Ao	Ko	F	W
5	13.10	5.20	11.30	11.50	24.00

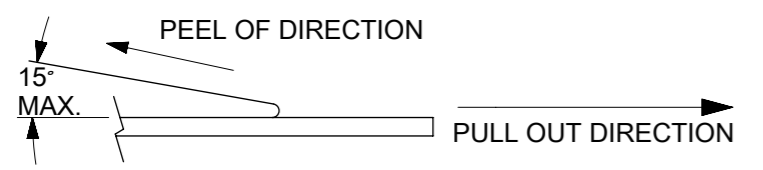


NOTES:
1. LEADER AND TRAILER TAPE



PART PACK
IN E/TAPE
ORIENTATION
(FOR REF USE)

2. PEELING OFF FORCE OF THE TOP TAPE: 20 - 80gf.
(PEELING DIRECTION AS SHOWN IN FOLLOWING FIGURE)

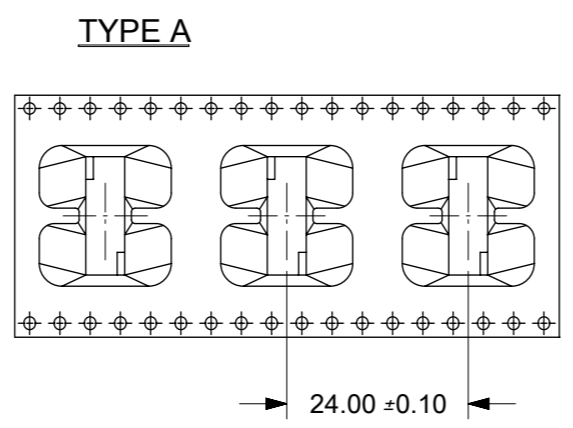
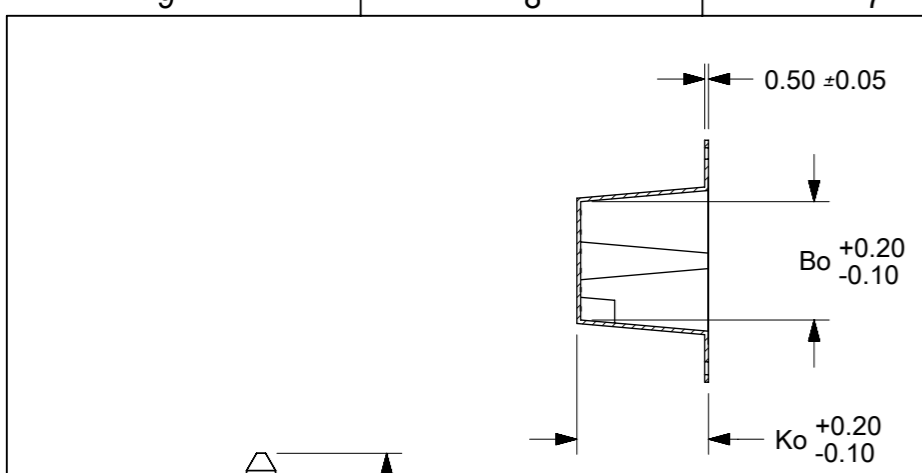


- 3. MATERIAL: BLACK P.S CONDUCTIVE, BLACK
- 4. MEASURED FROM CENTRELINE OF SPROCKET HOLE TO CENTRELINE OF SPOCKET
- 5. CUMULATIVE TOLERANCE OF 10 SPROCKET HOLE IS ±0.20mm
- 6. A0 AND B0 ARE MEASURE FROM ABOVE POCKET BASE 0.30mm
- 7. TAPE AND REEL SPECIFICATION IS AS PER EIA-481.
- 8. TAPE AND REEL QUANTITY : 440PCS/REEL
- 9. THE TAPE IS TREATED FOR ANTI-STATIC.
- 10. ALL RADIUS ARE 0.30MM UNLESS SPECIFY
- 11. SURFACE RESISTIVITY 10³ TO 10 OHMS.

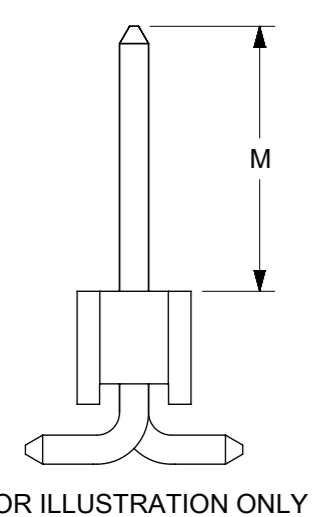
THIS DRAWING CONTAINS INFORMATION THAT IS PROPRIETARY TO MOLEX ELECTRONIC TECHNOLOGIES, LLC AND SHOULD NOT BE USED WITHOUT WRITTEN PERMISSION

SEE SHEET 2 & 3 EC NO: 110795 DRWN: MRAMAKRISHNA CHK'D: REV APPR: ISHWARG	2016/11/29	GENERAL TOLERANCES (UNLESS SPECIFIED)	DIMENSION UNITS		SCALE		molex CUSTOM HEADER 2.54MM PITCH SINGLE ROW SINGLE WAFER SMT HEADER		
	2016/12/05		MM	INCH	MM	NTS			
			4 PLACES ±	±	DRWN BY	DATE		YLQIAO	2005/03/14
			3 PLACES ±	±	CHK'D BY	DATE		PTLIM	2005/03/29
			2 PLACES ±	0.2	±	APPR BY		DATE	MLONG
	1 PLACES ±	±	±	DRAWING SIZE	THIRD ANGLE PROJECTION	A3			
	0 PLACES ±	±	±	ANGULAR TOL = 3.0		DRAFT WHERE APPLICABLE MUST REMAIN WITHIN DIMENSIONS			
RELEASE STATUS	RELEASE DATE			SERIES		MATERIAL NUMBER		CUSTOMER	
				87898		SEE TABLE		GENERAL MARKET	
DOCUMENT NUMBER			DOC TYPE		DOC PART		SHEET NUMBER		
SD-87898-001			PSD		000		18 OF 21		

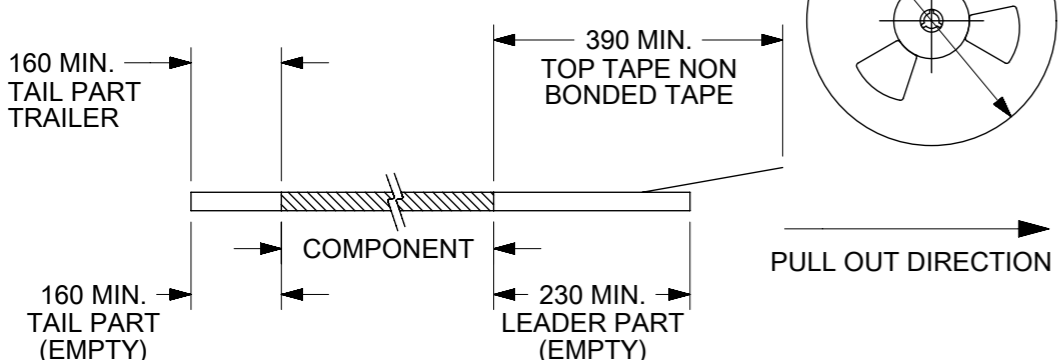
RELEASE STATUS	RELEASE DATE								
----------------	--------------	--	--	--	--	--	--	--	--



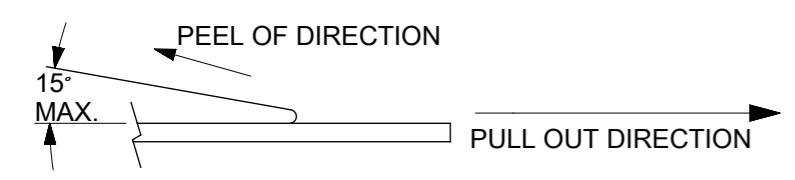
CKT	DIMENSION							TYPE	QTY/ REEL
	M	Bo	So	Ao	Ko	F	W		
6	11.50	15.65	28.40	5.20	16.90	14.20	32.00	A	150
6	5.84	15.65	28.40	5.20	11.30	14.20	32.00	B	440
8		20.70	40.40	5.20	11.30	20.20	44.00		
10		25.80	40.40	5.20	11.30	20.20	44.00		
12		30.90	52.40	5.20	11.30	26.20	56.00		
14		35.95	52.40	5.20	11.30	26.20	56.00		
16		41.05	52.40	5.20	11.30	26.20	56.00		
18		46.20	68.40	5.20	11.30	34.20	72.00		
20		51.20	68.40	5.20	11.30	34.20	72.00		



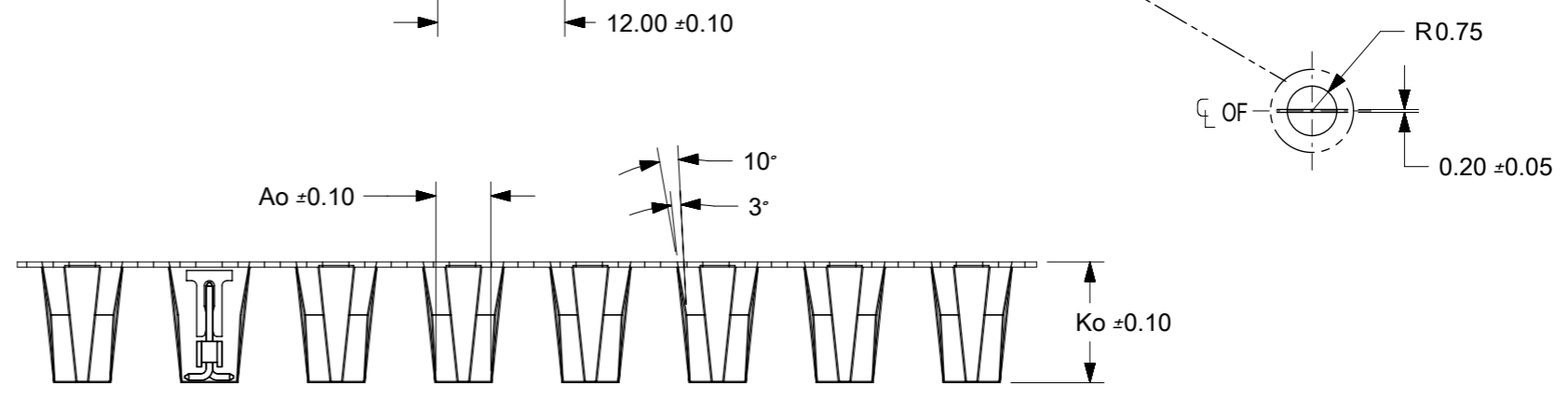
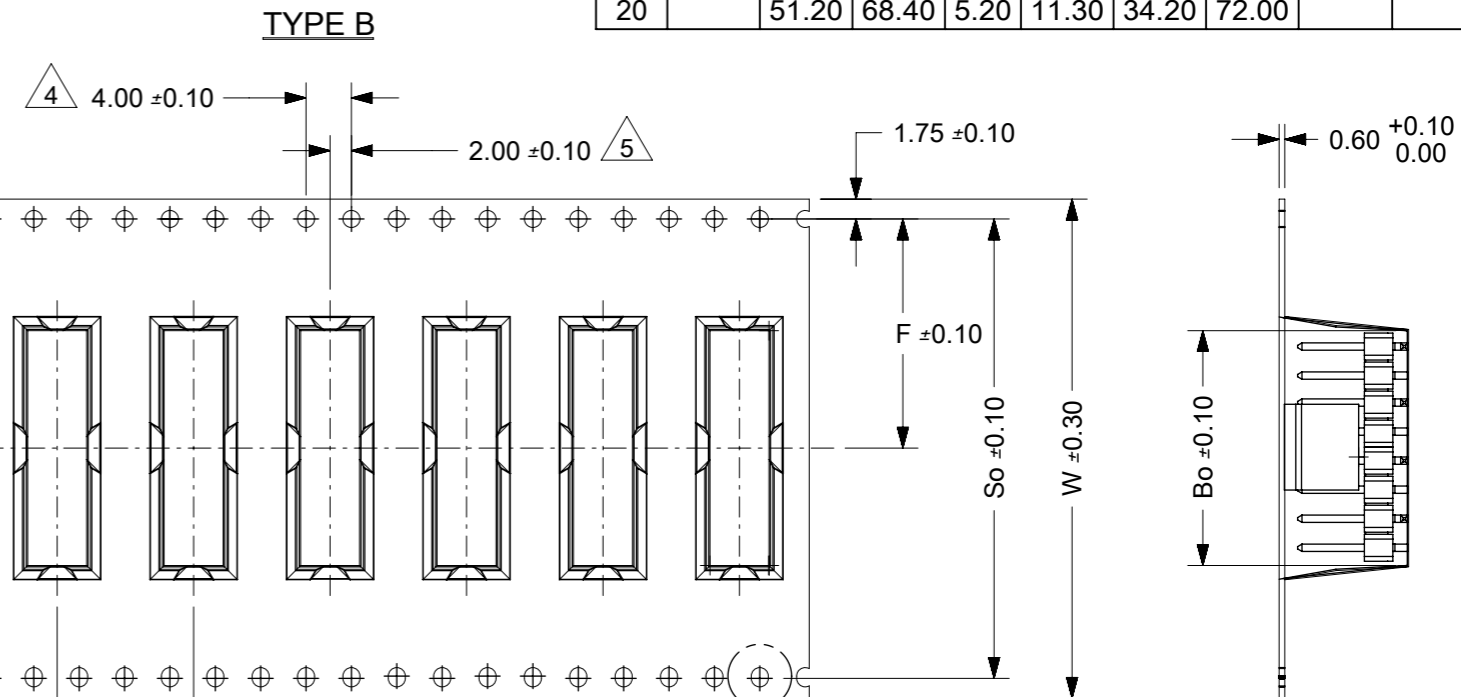
NOTES:
1. LEADER AND TRAILER TAPE



2. PEELING OFF FORCE OF THE TOP TAPE: 20 - 80gf.
(PEELING DIRECTION AS SHOWN IN FOLLOWING FIGURE)



- MATERIAL: BLACK P.S CONDUCTIVE, BLACK
- MEASURED FROM CENTRELINE OF SPROCKET HOLE TO CENTRELINE OF SPOCKET
- CUMULATIVE TOLERANCE OF 10 SPROCKET HOLE IS ±0.20mm
- A0 AND B0 ARE MEASURE FROM ABOVE POCKET BASE 0.30mm
- TAPE AND REEL SPECIFICATION IS AS PER EIA-481.
- TAPE AND REEL QUANTITY : SEE TABLE
- THE TAPE IS TREATED FOR ANTI-STATIC.
- ALL RADIUS ARE 0.30MM UNLESS SPECIFY
- SURFACE RESISTIVITY 10³ TO 10 OHMS.

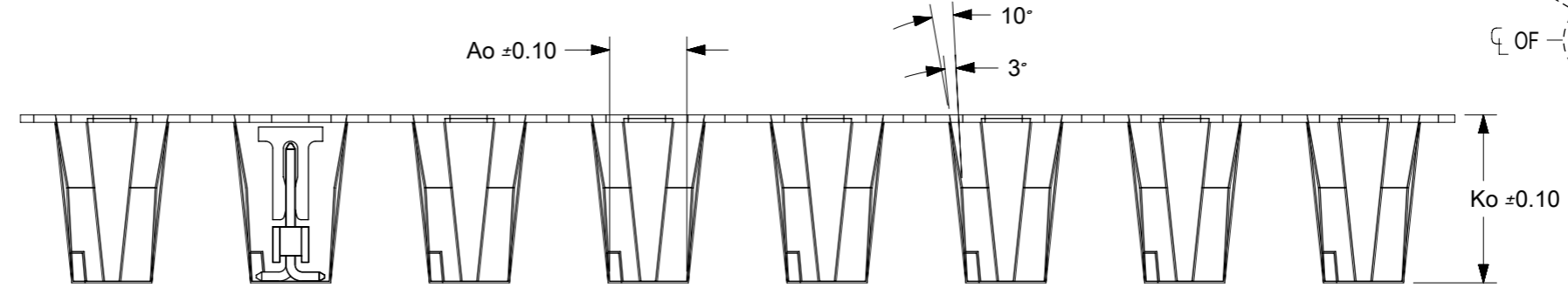
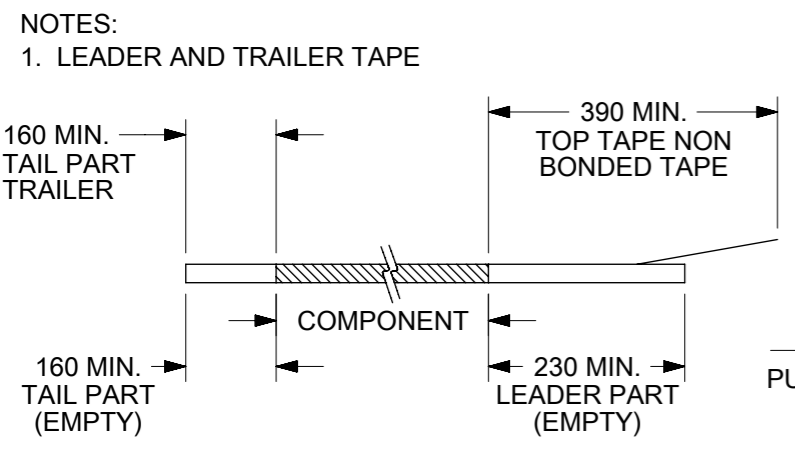
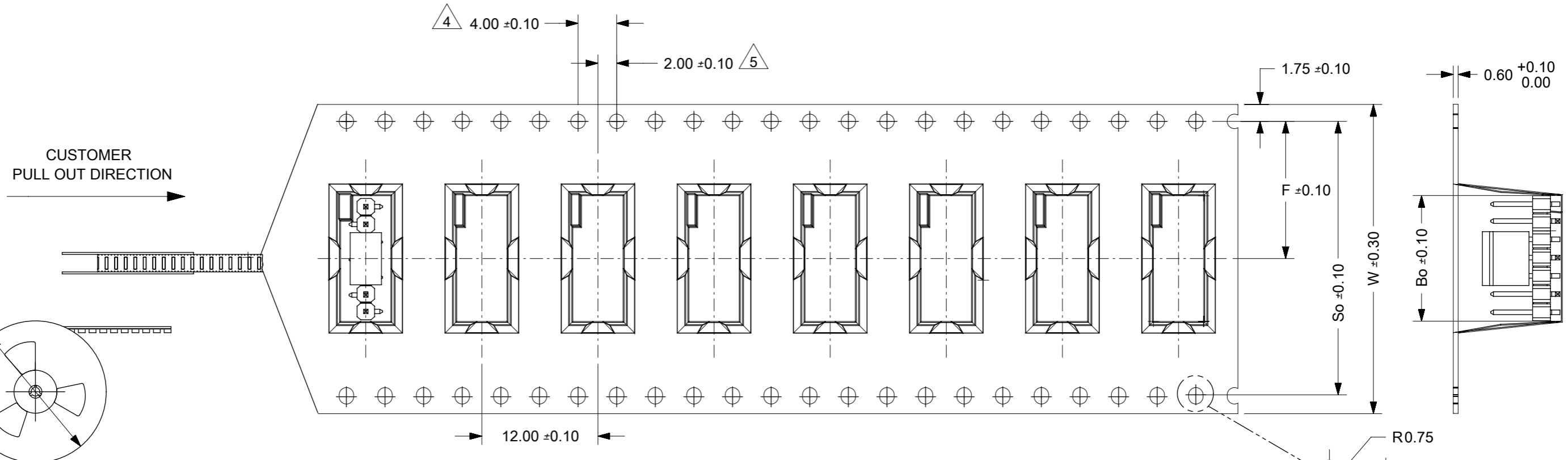


PART PACK IN E/TAPE ORIENTATION (FOR REF USE)

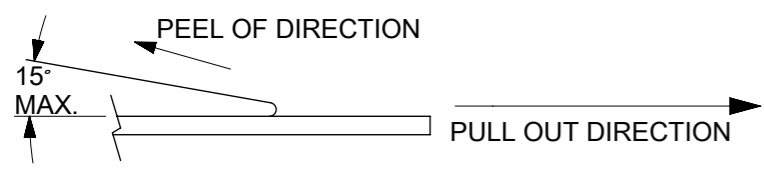
THIS DRAWING CONTAINS INFORMATION THAT IS PROPRIETARY TO MOLEX ELECTRONIC TECHNOLOGIES, LLC AND SHOULD NOT BE USED WITHOUT WRITTEN PERMISSION

SEE SHEET 2 & 3	2016/11/29	2016/12/05	GENERAL TOLERANCES (UNLESS SPECIFIED)		DIMENSION UNITS	SCALE						
	EC NO: 110795		MM	NTS	CUSTOMER DRAWING							
	DRWN: MRAMAKRISHNA		4 PLACES ±	3 PLACES ±	2 PLACES ± 0.2	1 PLACES ±	0 PLACES ±	DRWN BY	DATE	2.54MM PITCH SINGLE ROW SINGLE WAFER SMT HEADER		
	CHK'D: ISHWARG		±	±	±	±	±	CHK'D BY	DATE	PRODUCT CUSTOMER DRAWING		
APP'R: ISHWARG	ANGULAR TOL = 3.0	DRAFT WHERE APPLICABLE MUST REMAIN WITHIN DIMENSIONS		A3	THIRD ANGLE PROJECTION	APPR BY	DATE	SERIES	MATERIAL NUMBER	CUSTOMER		
B16						MLONG	2010/10/04	87898	SEE TABLE	GENERAL MARKET		
								DOCUMENT NUMBER	DOC TYPE	DOC PART	SHEET NUMBER	
								SD-87898-001	PSD	000	19 OF 21	

RELEASE STATUS	RELEASE DATE
----------------	--------------



- PEELING OFF FORCE OF THE TOP TAPE: 20 - 80gf. (PEELING DIRECTION AS SHOWN IN FOLLOWING FIGURE)



- MATERIAL: BLACK P.S CONDUCTIVE, BLACK
- MEASURED FROM CENTRELINE OF SPROCKET HOLE TO CENTRELINE OF SPOCKET
- CUMULATIVE TOLERANCE OF 10 SPROCKET HOLE IS ±0.20mm
- A0 AND B0 ARE MEASURE FROM ABOVE POCKET BASE 0.30mm
- TAPE AND REEL SPECIFICATION IS AS PER EIA-481.
- TAPE AND REEL QUANTITY : 440PCS/REEL
- THE TAPE IS TREATED FOR ANTI-STATIC.
- ALL RADIUS ARE 0.30MM UNLESS SPECIFY
- SURFACE RESISTIVITY 10³ TO 10 OHMS.

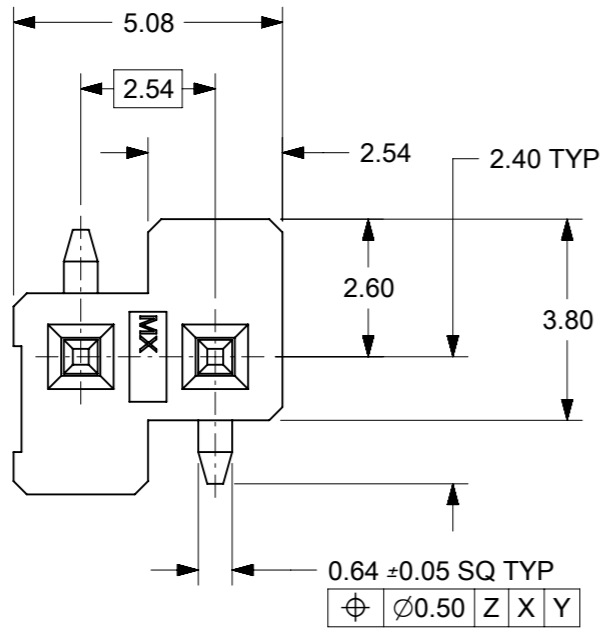
CKT	DIMENSION					
	Bo	So	Ao	Ko	F	W
7	18.20	40.40	5.20	11.30	20.20	44.00
9	23.25	40.40	5.20	11.30	20.20	44.00
11	28.35	40.40	5.20	11.30	20.20	44.00
13	33.40	52.40	5.20	11.30	26.20	56.00
15	38.50	52.40	5.20	11.30	26.20	56.00
17	43.60	68.40	5.20	11.30	34.20	72.00
19	48.70	68.40	5.20	11.30	34.20	72.00
21	53.80	68.40	5.20	11.30	34.20	72.00

THIS DRAWING CONTAINS INFORMATION THAT IS PROPRIETARY TO MOLEX ELECTRONIC TECHNOLOGIES, LLC AND SHOULD NOT BE USED WITHOUT WRITTEN PERMISSION

SEE SHEET 2 & 3	EC NO: 110795	2016/11/29	GENERAL TOLERANCES (UNLESS SPECIFIED)		DIMENSION UNITS	SCALE	<p>CUSTOM HEADER 2.54MM PITCH SINGLE ROW SINGLE WAFER SMT HEADER</p> <p>PRODUCT CUSTOMER DRAWING</p>		
	DRWN: MRAMAKRISHNA	2016/12/05	MM	INCH	MM	NTS			
	CHKD:		4 PLACES ±	±	DRWN BY	DATE		<p>87898</p> <p>SEE TABLE</p> <p>GENERAL MARKET</p>	
	APP: ISHWARG		3 PLACES ±	±	CHK'D BY	DATE			
			2 PLACES ±	0.2	PTLIM	2005/03/29			
		1 PLACES ±	±	APPR BY	DATE	<p>DOCUMENT NUMBER</p> <p>SD-87898-001</p>			
		0 PLACES ±	±	MLONG	2010/10/04		DOC TYPE	DOC PART	SHEET NUMBER
				ANGULAR TOL = 3.0	DRAWING SIZE	THIRD ANGLE PROJECTION	PSD	000	20 OF 21
				DRAFT WHERE APPLICABLE MUST REMAIN WITHIN DIMENSIONS	A3				

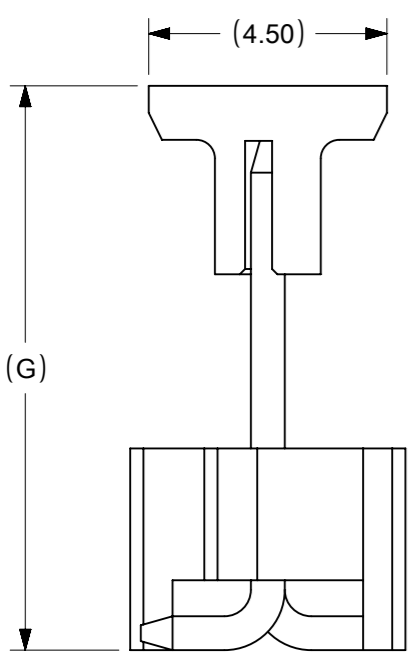
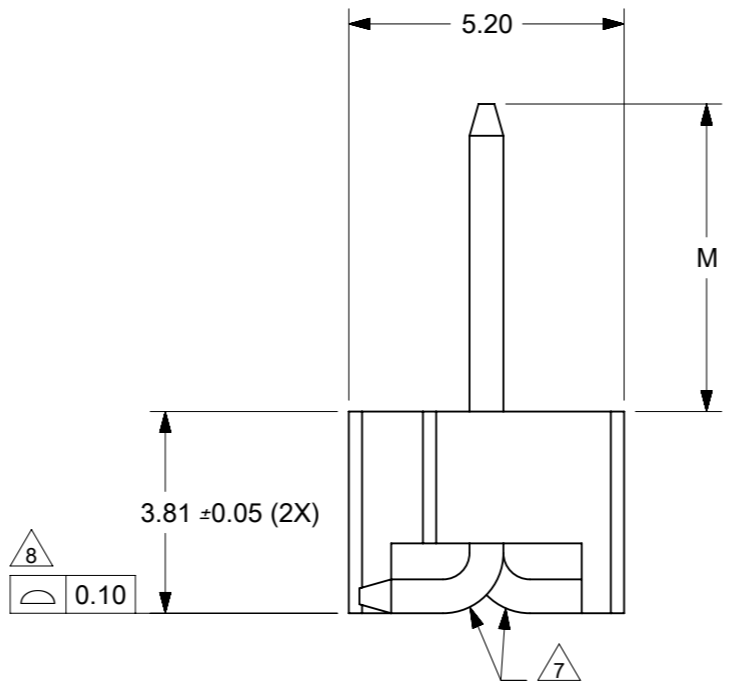
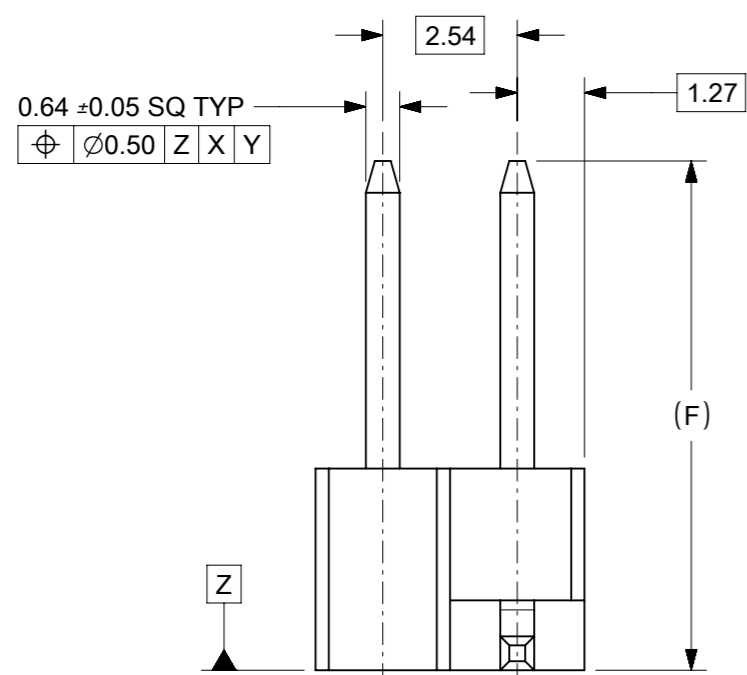
RELEASE STATUS	RELEASE DATE
----------------	--------------

PACKAGING OPTION PART NO.						CKT SIZE	PLATING TYPE	DIMENSION		
TRAY WITHOUT CAP	TRAY WITH CAP	TUBE WITHOUT CAP	TUBE WITH CAP	TAPE & REEL WITHOUT CAP	TAPE & REEL WITH CAP			G	F	M
-----	-----	-----	-----	-----	87898-0218	2	4	10.69	9.65	5.84
-----	-----	-----	-----	-----	87898-0219	2	6	10.69	9.65	5.84

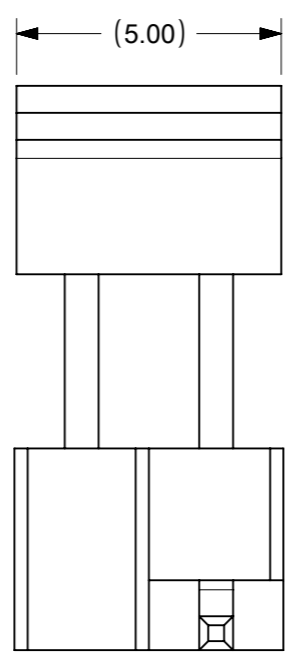


ONLY APPLICABLE TO 2CKT SIZE

- NOTES:
- MATERIAL:
 - HSG: LCP, GLASS-FILLED, UL94V-0, COLOR: BLACK
 - CAP: NYLON, GLASS-FILLED, UL94V-0, COLOR: BLACK
 - PIN: 0.64MM SQ, COPPER ALLOY
 - PLATING TYPE:
 - GOLD FLASH OVER
1.25µm MIN. NICKEL OVERALL.
 - GOLD FLASH ON CONTACT AND
2.50µm MIN. TIN ON SOLDER TAIL OVER
1.25µm MIN. NICKEL OVERALL.
 - 0.38µm MIN. GOLD PLATE ON CONTACT AND
2.00µm MIN. TIN ON SOLDER TAIL OVER
1.25µm MIN. NICKEL OVERALL.
 - 0.75µm MIN. GOLD PLATE ON CONTACT AND
2.00µm MIN. TIN ON SOLDER TAIL OVER
1.25µm MIN. NICKEL OVERALL.
 - 2.50µm MIN. TIN OVERALL
1.25µm MIN. NICKEL OVERALL
 - PRODUCT SPECIFICATION: PS-87920-019
 - PACKAGING TYPE: SEE TABLE
 - PACKAGING SPEC:
 - TUBE WITH CAP VERSION: PK-89990-558
 - TUBE W/O CAP VERSION: PK-89990-545
 - EMBOSS TAPE WITH CAP: PK-87898-400
 - WAFER TO BE FLAT WITHIN 0.003 mm/mm
 - BEND DEPRESSION IS ACCEPTED SO LONG AS IT DOES NOT AFFECT THE OVERALL COPLANARITY OF TAIL
 - COPLANARITY IS TO BE MEASURED BY RESTING THE SOLDER TAIL ON A FLAT SURFACE
 - CAP LOCATION IS CENTERED ALONG THE MATING ENDS AS SHOWN. TOP SURFACE OF CAP TO BE FLAT FOR THE PURPOSE OF PICK & PLACE BY VACUUM SUCTION NOZZLE
 - RECOMMENDED PCB THICKNESS IS 1.60mm±0.10



CONN WITH CAP



CONN WITH CAP

THIS DRAWING CONTAINS INFORMATION THAT IS PROPRIETARY TO MOLEX ELECTRONIC TECHNOLOGIES, LLC AND SHOULD NOT BE USED WITHOUT WRITTEN PERMISSION

SEE SHEET 2 & 3 EC NO: 110795 DRWN: MRAMAKRISHNA CHK'D: REV APPR: ISHWARG	2016/11/29	GENERAL TOLERANCES (UNLESS SPECIFIED)	DIMENSION UNITS		SCALE		molex CUSTOM HEADER 2.54MM PITCH SINGLE ROW SINGLE WAFER SMT HEADER		
	2016/12/05		MM	INCH	MM	NTS			
			4 PLACES ±	±	DRWN BY	DATE		YLQIAO	2005/03/14
			3 PLACES ±	±	CHK'D BY	DATE		PTLIM	2005/03/29
			2 PLACES ±	0.2	±	APPR BY		DATE	MLONG
	1 PLACES ±	±	±	DRAWING SIZE	THIRD ANGLE PROJECTION	A3			
	0 PLACES ±	±	±	ANGULAR TOL = 3.0					
				DRAFT WHERE APPLICABLE MUST REMAIN WITHIN DIMENSIONS					

SERIES	MATERIAL NUMBER	CUSTOMER	
87898	SEE TABLE	GENERAL MARKET	
DOCUMENT NUMBER	DOC TYPE	DOC PART	SHEET NUMBER
SD-87898-001	PSD	000	21 OF 21

RELEASE STATUS	RELEASE DATE
----------------	--------------