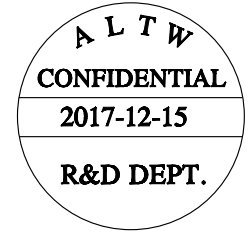
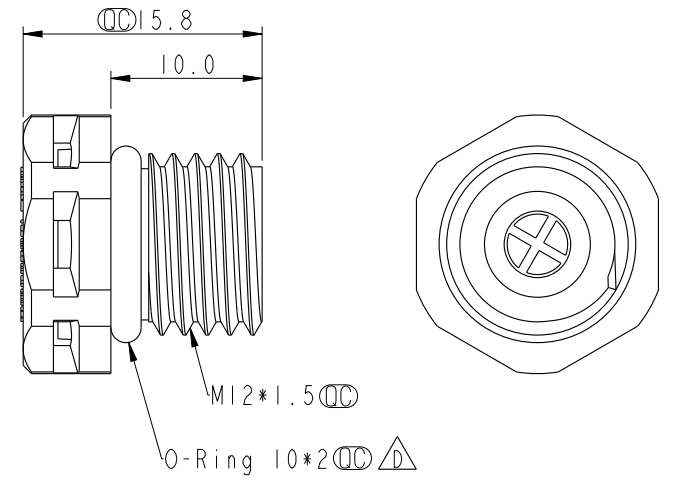
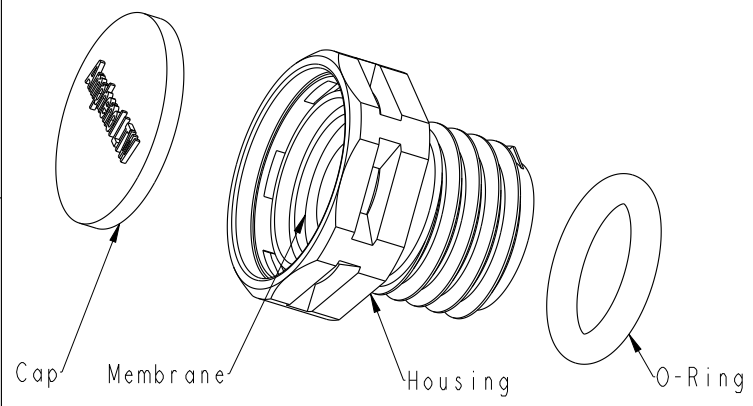


THIS DOCUMENT IS SUBJECT TO CHANGE WITHOUT NOTICE. IT IS CONFIDENTIAL AND A PROPERTY OF Amphenol LTW. DISCLOSURE TO THIRD PARTY HAS TO BE AUTHORIZED BY Amphenol LTW.

REV.	ECN NO.	DATE	SIGN	DESCRIPTION
A	Initial Release	2017/03/28	Jinhai	Chnage Rev.05 To Rev.A
B	LEN1750155~166	2017/05/12	Jinhai	Add Recommended thickness of plank
C	LEN1790339~350	2017/09/25	Ethan	Add透氣量>3000ml/min@70mbar Vent
D	LEN17C0606~621	2017/12/15	Ethan	Add O-Ring Dimensions And Modify Dimensions



Without Nut					
成品料號(Product no.)	透氣量ml/min@70mbar	主體顏色(Body Colour)	O-Ring Color	疏油性(Oleophobic)	Waterproof Rate
VENT-PSINGY-N8001	>1000	Gray	Blue	N	IP68/IP69K
VENT-PSINBK-N8001	>1000	Black	Blue	N	IP68/IP69K
VENT-PSINGY-O8001	>550	Gray	Black	Y	IP68/IP69K
VENT-PSINBK-O8001	>550	Black	Black	Y	IP68/IP69K
VENT-PSINGY-O8002	>1000	Gray	Green	Y	IP68/IP69K
VENT-PSINBK-O8002	>1000	Black	Green	Y	IP68/IP69K
VENT-PSINGY-N8002	>3000	Gray	Red	N	IP68
VENT-PSINBK-N8002	>3000	Black	Red	N	IP68

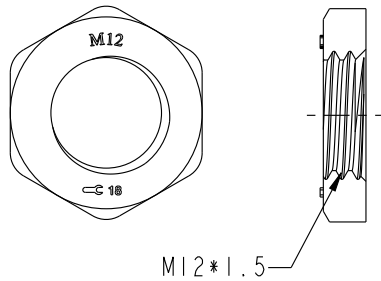
With Nut					
成品料號(Product no.)	透氣量ml/min@70mbar	主體顏色(Body Colour)	O-Ring Color	疏油性(Oleophobic)	Waterproof Rate
VENT-PSIYGY-N8001	>1000	Gray	Blue	N	IP68/IP69K
VENT-PSIYBK-N8001	>1000	Black	Blue	N	IP68/IP69K
VENT-PSIYGY-O8001	>550	Gray	Black	Y	IP68/IP69K
VENT-PSIYBK-O8001	>550	Black	Black	Y	IP68/IP69K
VENT-PSIYGY-O8002	>1000	Gray	Green	Y	IP68/IP69K
VENT-PSIYBK-O8002	>1000	Black	Green	Y	IP68/IP69K
VENT-PSIYGY-N8002	>3000	Gray	Red	N	IP68
VENT-PSIYBK-N8002	>3000	Black	Red	N	IP68

UNIT : mm		TITLE M12*1.5 VENT
TOLERANCE .X ±0.25 .XX ±0.1 .XXX ±0.05 ANGLES ±1°	SCALE 2:1 SIZE A4 SHEET 1 OF 2	REV. D WC-REV. A.7 ☉: Inspection item

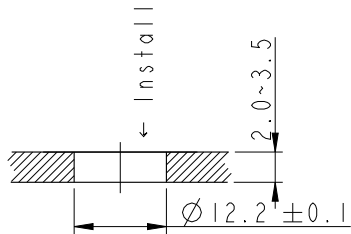
Amphenol LTW
安費諾亮泰企業股份有限公司

ITEM NO.	DRAWN BY Ethan	DATE 2017-12-15
DWG NO. VENT-PSIXXX-XXXXX	CHECKED BY Feng-li	DATE 2017-12-15
CUSTOMER ALTW	APPROVED BY Jerry	DATE 2017-12-15

Screw Nut: Optional part
 No.: APTP-ABKPA012-001
 螺母作為選配件

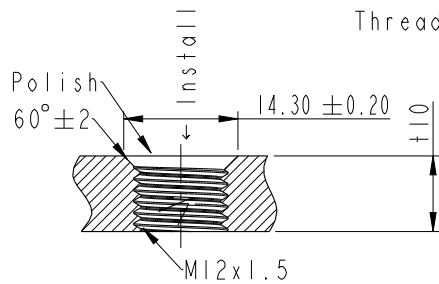


Through-hole



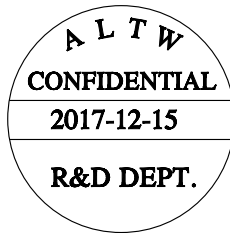
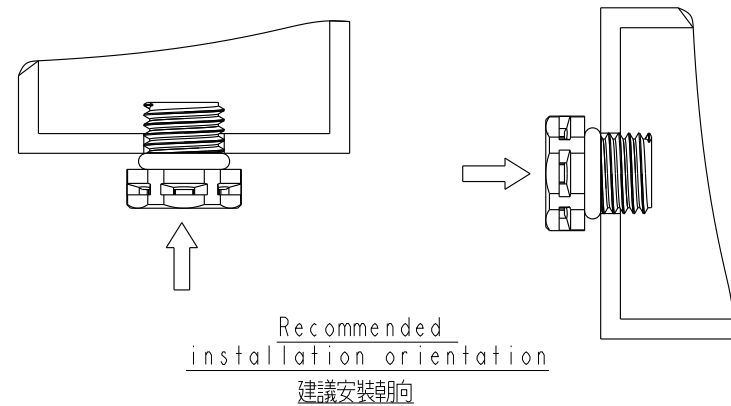
Recommended Panel Cut-Out
 建議開孔尺寸

Threaded-hole



Recommended Panel Cut-Out
 建議開孔尺寸

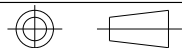
REV.	ECN NO.	DATE	SIGN	DESCRIPTION



Note:

- * \varnothing Important Dimension.
- * Cap: Nylon+GF, 94V-0, UV Resistance
- * Membrane: ePTFE
- * Body: Nylon+GF, 94V-0, UV Resistance
- * O-Ring: Silicone, 94V-0
- * Nut Torque Force: 6.0~8.0 Kgf.cm

UNIT: mm



TITLE

M12*1.5 VENT

Amphenol LTW

安費諾亮泰企業股份有限公司

ITEM NO

DRAWN BY

DATE

DWG NO

CHECKED BY

DATE

CUSTOMER

APPROVED BY

DATE

	Ethan	2017-12-15
VENT-PSIXXX-XXXXX	Feng-li	2017-12-15
ALTW	Jerry	2017-12-15

TOLERANCE
 .X ±0.25
 .XX ±0.1
 .XXX ±0.05
 ANGLES ±1°

SCALE 2:1

SIZE A4

SHEET 2 OF 2

REV. D

WC-REV. A.7

\varnothing : Inspection item