

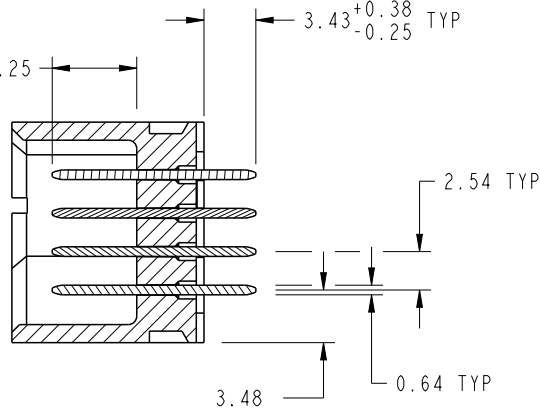
CODE	DIM "M" MATING LENGTH	CONTACT TYPE
PA	[N/A]	POWER
H	[5.59]	SIGNAL
E	[6.86]	SIGNAL
HA	[N/A]	HOLD-DOWN

spec ref	See Notes			dr	Ruan MT	2013/05/14	projection 	MM ←→	size	A4	scale	1:1	
tolerance std	TOLERANCES UNLESS OTHERWISE SPECIFIED			eng	Ruan MT	2013/05/29			ecn no	-			
See Notes				chr	-	-			rel level	Released			
surface	✓	linear	0.X	±0.50	FCI www.fci.com	title	6P + 48S + 5P VERTICAL SOLDER HEADER	dwg no	51710-060	rev	A		
			0.XX	±0.25									
			0.XXX	±0.10									
		angular	0°	±2°	cat. no.	&model_name	Product - Customer Drw		sheet 1 of 4				

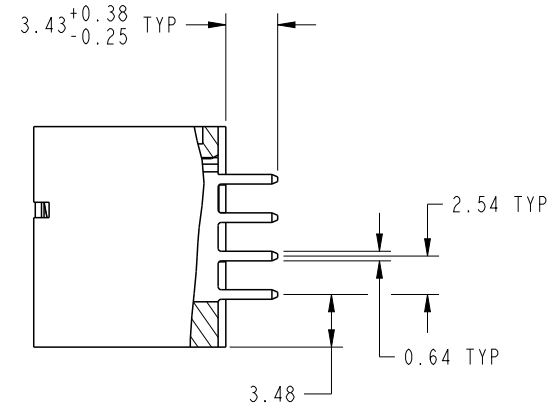
PRODUCT NUMBER

51710-060--  
NOTE 3

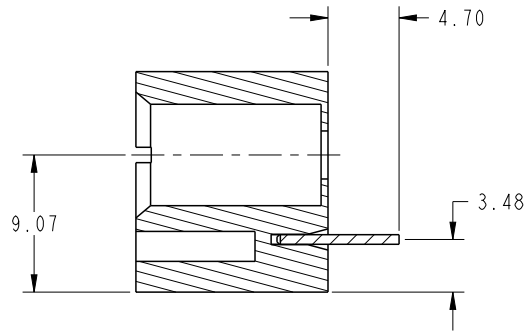
DIM "M" ±0.25



SECTION A-A  
SCALE 2:1



SECTION B-B  
SCALE 2:1

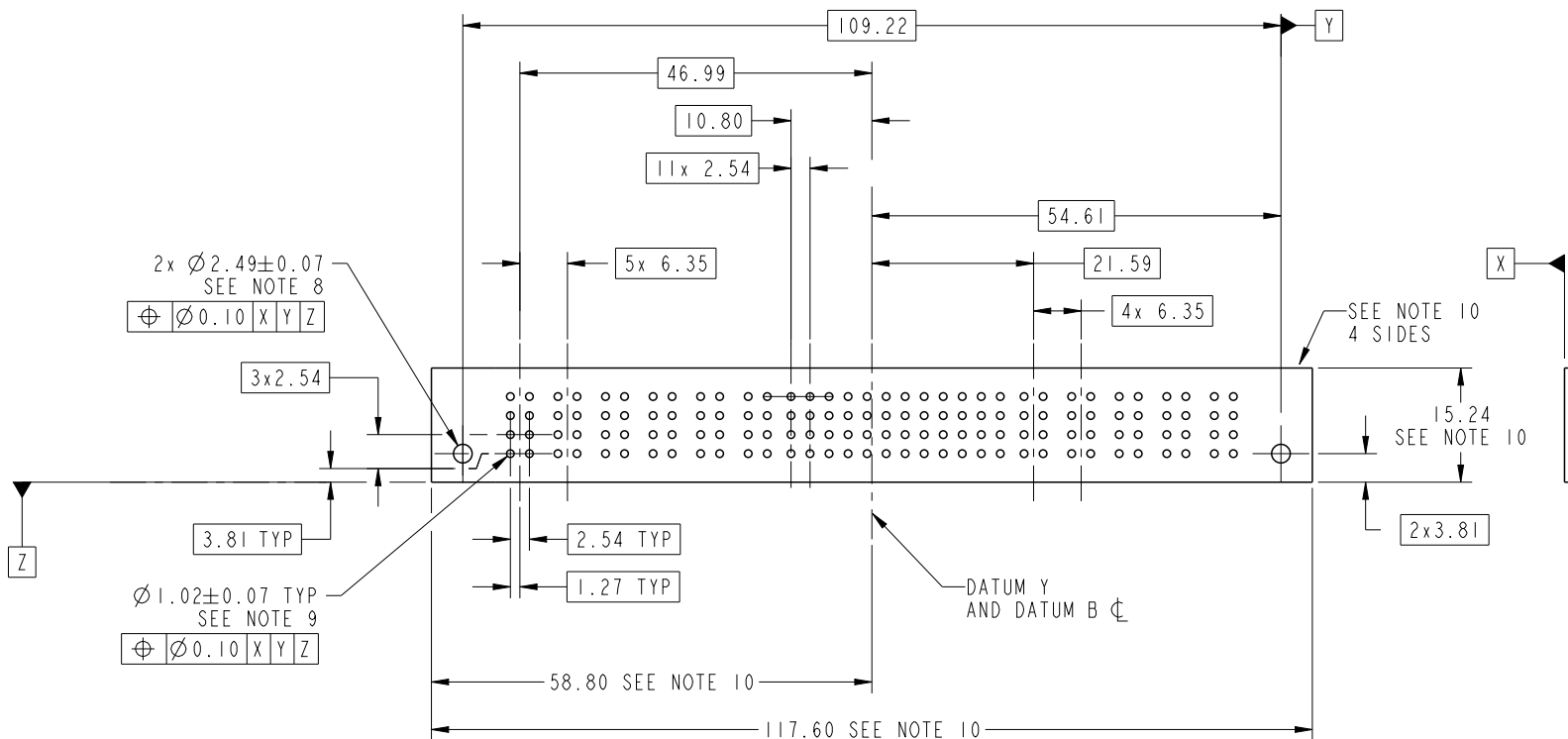


SECTION C-C  
SCALE 2:1

dr	Ruan MT	2013/05/14	projection 	MM 	size	A4	scale	1:1
eng	Ruan MT	2013/05/29			ecn no	-		
chr	-	-			rel level	Released		
appr	Pei-Ming Zheng	2013/05/29	product family	PwrBlade				
		title 6P + 48S + 5P VERTICAL SOLDER HEADER	dwg no 51710-060	rev A				
www.fci.com	cat. no.	&model_name	Product - Customer Drw	sheet 2 of 4				

PRODUCT NUMBER

51710-060\_\_  
NOTE 3



RECOMMENDED PCB LAYOUT

dr	Ruan MT	2013/05/14	projection 	MM 	size	A4	scale	1:1	
eng	Ruan MT	2013/05/29			ecn no	-			
chr	-	-			rel level	Released			
appr	Pei-Ming Zheng	2013/05/29	product family	PwrBlade					
		title	6P + 48S + 5P VERTICAL SOLDER HEADER		dwg no	51710-060		rev	A
www.fci.com		cat. no.	&model_name	Product - Customer Drw		sheet 3 of 4			

PRODUCT NUMBER

51710-060\_\_  
NOTE 3

NOTES:

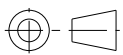
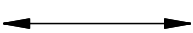
1. DIMENSIONS AND TOLERANCES ARE IN ACCORDANCE WITH ASME Y14.5M, 1994 UNLESS OTHERWISE SPECIFIED.

CONNECTOR NOTES:

- ② HOUSING MATERIAL: UL 94 V-0 GLASS FILLED HIGH-TEMP THERMOPLASTIC  
POWER CONTACT MATERIAL: COPPER ALLOY  
SIGNAL PIN MATERIAL: COPPER ALLOY
  - 3. SEE ITEM 1 & 2 IN PRINT 10064183 FOR PLATING SPEC OF 51710-060 AND 51710-060LF RESPECTIVELY.
  - ④ MANUFACTURER'S NAME, DATE CODE AND OPTIONAL P/N TO APPEAR ON THIS SURFACE. THE MARK CAN BE OMITTED IF THERE IS NOT ENOUGH SPACE ON THIS SURFACE.
  - 5. PRODUCT SPECIFICATION GS-12-149.  
APPLICATION SPECIFICATION BUS-20-067.
  - 6. PACKAGED IN TRAYS.
- PCB NOTES:
- 7. ALL HOLE DIAMETERS ARE FINISHED HOLE SIZE.
  - 8. MOUNTING HOLES, WHERE APPLICABLE, ARE UNPLATED.

⑨  $\varnothing 1.151 \pm 0.025$  DRILLED HOLES PLATED WITH 0.008 MIN SnPb OR Sn OVER .001 [0.03] TO 0.08 Cu PLATING TO ACHIEVE  $\varnothing 1.02 \pm 0.07$  HOLE.

⑩ CONNECTOR KEEP-OUT ZONE.

dr	Ruan MT	2013/05/14	projection 	MM 	size	A4	scale	1:1			
eng	Ruan MT	2013/05/29			ecn no	-					
chr	-	-			product family	PwrBlade	rel level	Released			
appr	Pei-Ming Zheng	2013/05/29	FCj		title	6P + 48S + 5P VERTICAL SOLDER HEADER		dwg no	51710-060	rev	A
www.fci.com		cat. no.	&model_name	Product - Customer Drw			sheet 4 of 4				



Copyright FCI.