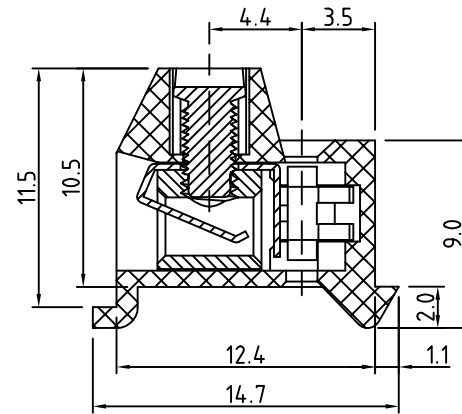
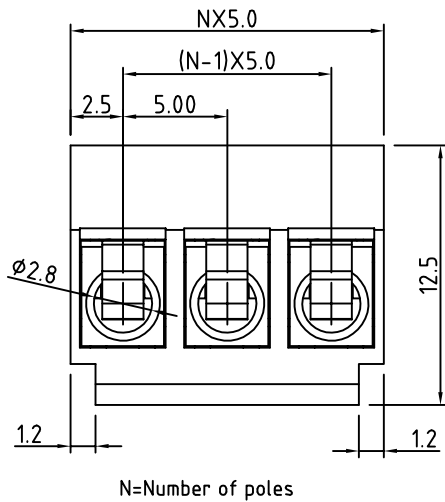
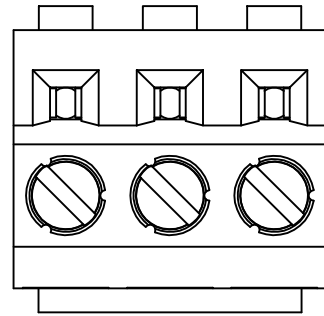


SIGN	DATE	DESCRIPTION	APPROVER
THIS IS CAD DRAWING, DO NOT REVISE MANUALLY!!!			



- Material**
- Terminal body
 - (metal housing): Brass (Cu Zn)
 - Terminal screw: Steel Zinc plating "-" slot type
 - Wire guard: PhBz, tin plated
 - Insulator (housing): Thermoplastic (UL94V-0)
- Electrical**
- Voltage rating: 300VAC
 - Current rating: 10A
 - Wire range:
 - Solid wire(AWG): 14-26
 - Stranded wire(AWG): 14-26
 - Torque(Lb-In): 3.5
 - Screw: M2.6
 - Wire strip length: 6-7mm
 - Withstanding Voltage: 1.6KV
 - Operating temperature: -30°C to +105°C
 - Safety Approval:
- RoHS Compliant

PART NUMBER:

OSTTYXX0100

- No. of Poles
- 02: 2 Poles
 - :
 - 24: 24 Poles
- COLOR
- 0: Black (Black)
 - 5: Green
 - 6: Blue
 - 8: Grey

THESE DRAWINGS AND SPECIFICATIONS ARE THE PROPERTY OF ON-SHORE TECHNOLOGY, INC. AND SHALL NOT BE REPRODUCED, COPIED OR USED IN ANY MANNER WITHOUT THE PRIOR WRITTEN CONSENT OF ON-SHORE TECHNOLOGY, INC.



TITLE		OSTTY-5.0mm Series				
PART NO.	OSTTYXX0100			DWG NO.	OSTTYXX0100.DWG	
APPROVED	CHECKED	DESIGNED	DRAWN	CUST NO.		
Shi Jun 2006.10.23	Shi Jun 2006.10.23	xionghaitao 2006.01.25	xionghaitao 2006.01.25			
					UNIT: mm	Tolerance
					SHEET: 01/01	SCALE: NONE
				REV: C	X.X ±0.30	X.XX ±0.10
					X° ±1°	