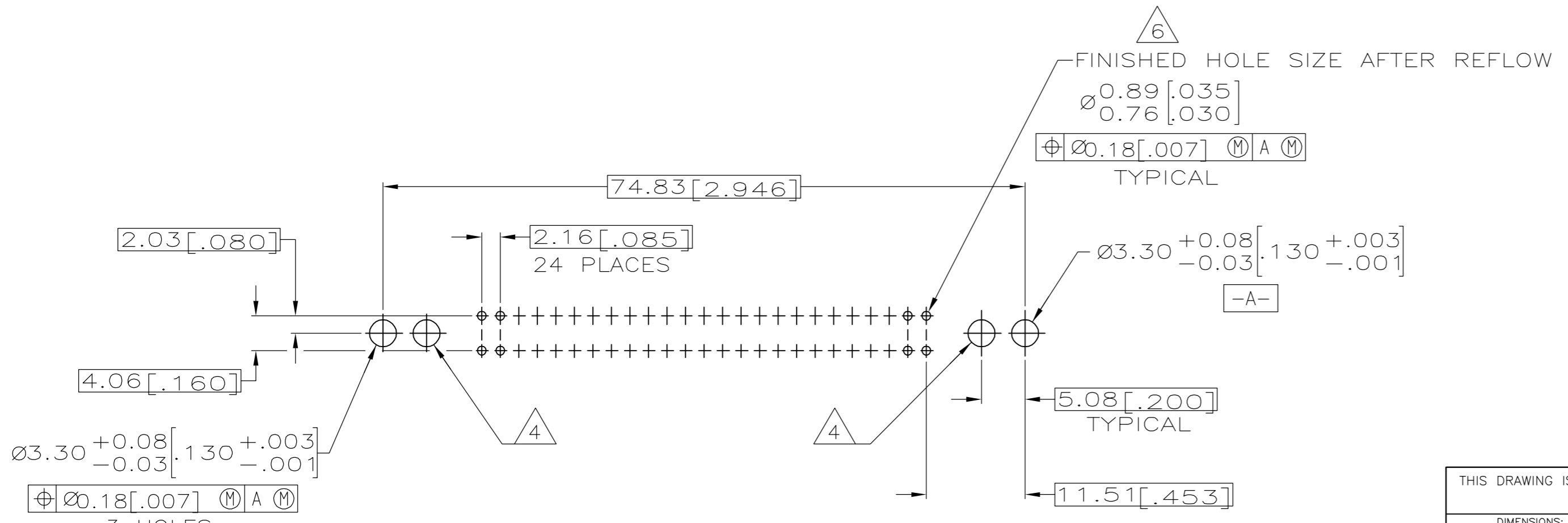
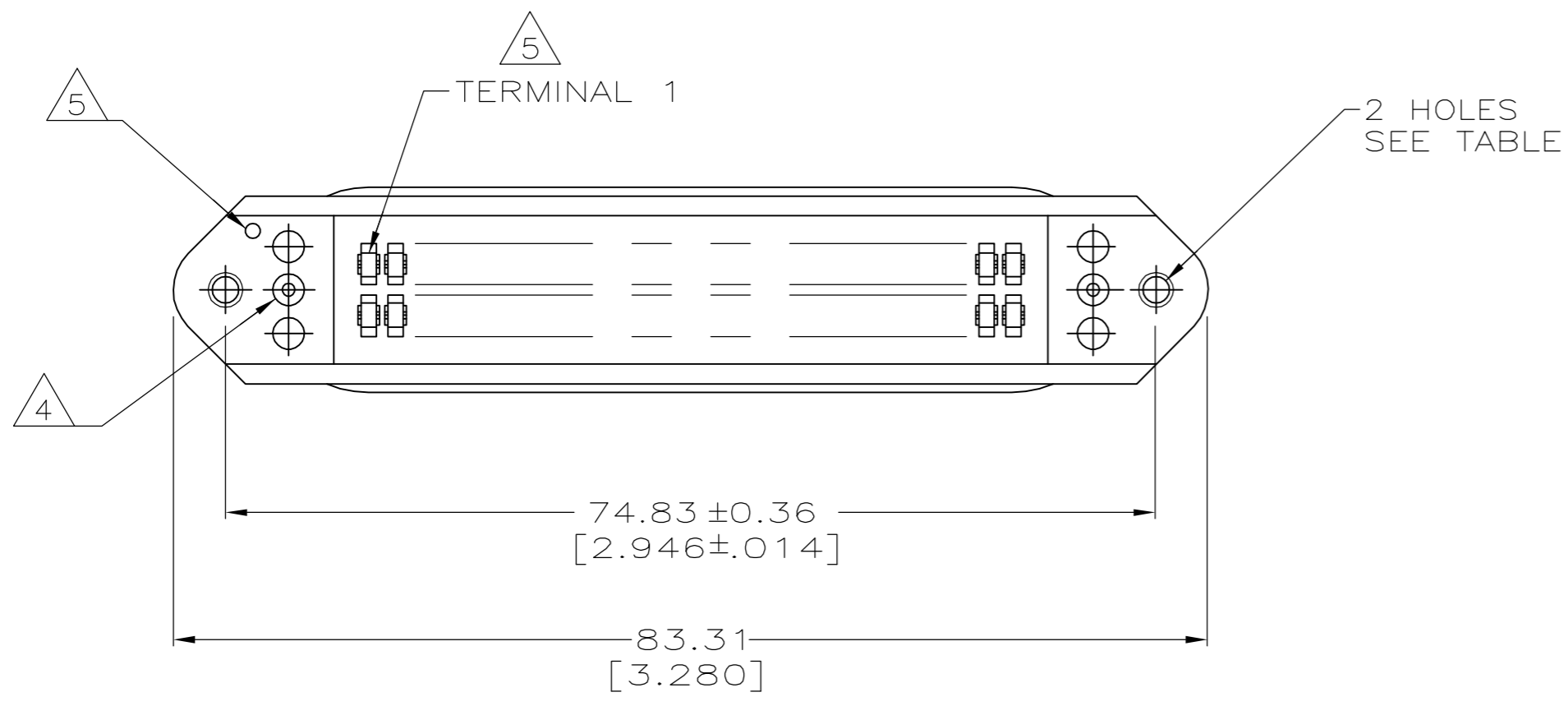
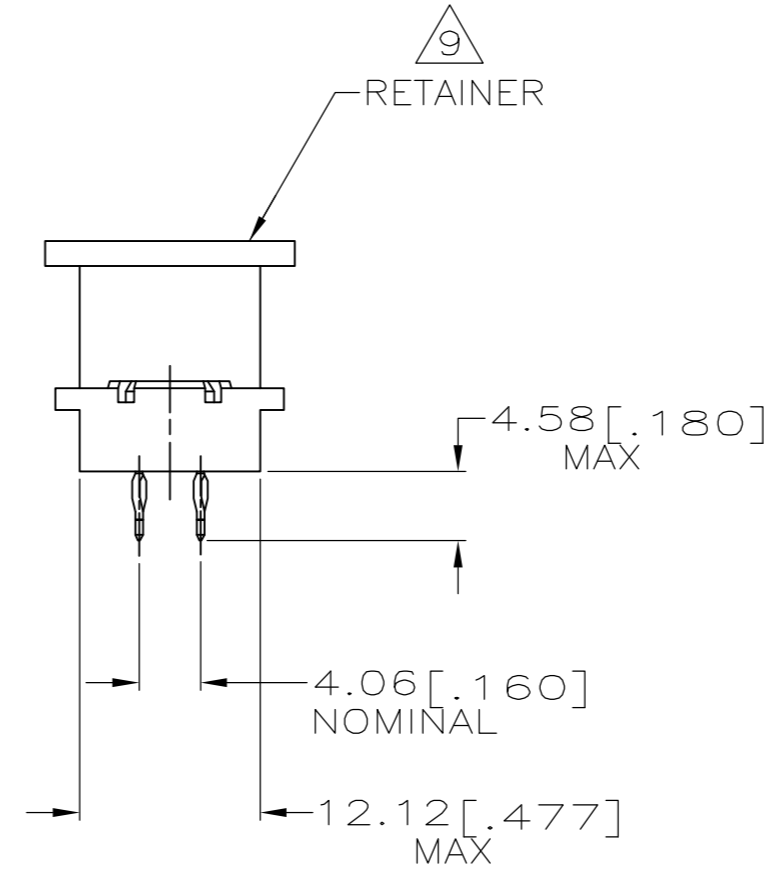
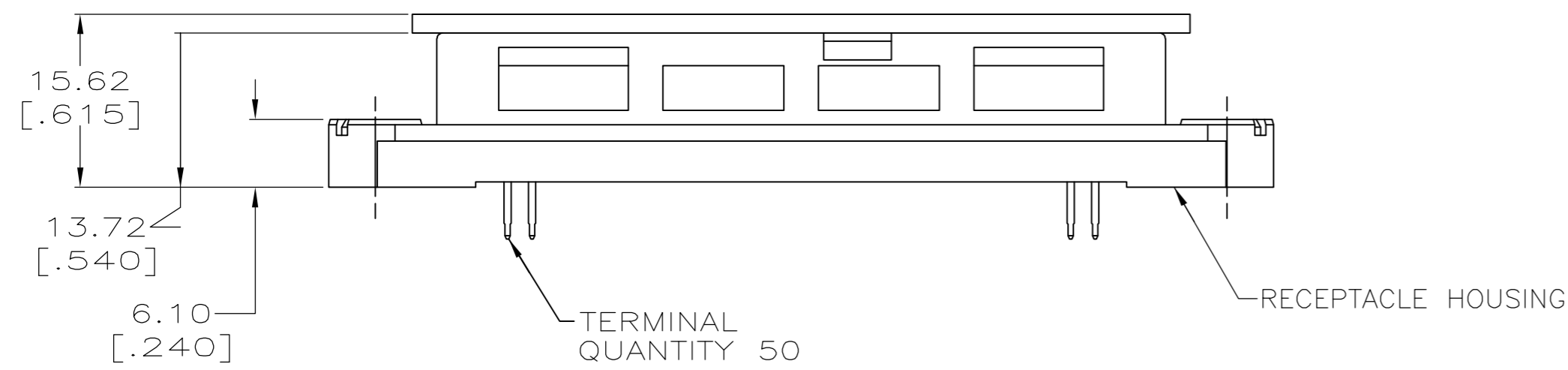


THIS DRAWING IS UNPUBLISHED. RELEASED FOR PUBLICATION
 © COPYRIGHT BY TYCO ELECTRONICS CORPORATION. ALL RIGHTS RESERVED.

LOC		DIST		REVISIONS			
P	LTR	DESCRIPTION	DATE	DWN	APVD		
AA	11	F	REVISED PER ECN-0513-0617-04	27MAR07	JDP	WM	



PRINTED CIRCUIT BOARD MOUNTING DIMENSIONS

- DIMENSIONS ARE MAXIMUM UNLESS OTHERWISE SPECIFIED.
- MATERIAL: HOUSING - POLYESTER MOLDING COMPOUND BLACK.
 TERMINAL - COPPER ALLOY PLATED WITH 0.76μm [.000030] MINIMUM THICK GOLD ON MATING SURFACE AND 0.13μm [.000005] MINIMUM THICK GOLD ON ACTION PIN AREA OVER 1.27μm [.000050] MINIMUM THICK NICKEL UNDERPLATE OVER ENTIRE TERMINAL.
 RETAINER - POLYETHYLENE, NATURAL.
- THE CONTACT SURFACES OF THE TERMINALS ARE COATED WITH LUBRICANT.
- OPTIONAL MOUNTING HOLE FOR SELF-TAPPING SCREW.
- THRU HOLE ON HOUSING FLANGE INDICATES POSITION 1 LOCATION.
- ALL PLATED-THRU HOLES SHALL BE PER AMP SPEC 115-6072.
- 222N[50 LBS] MINIMUM FORCE REQUIRED TO UNSEAT CONNECTOR FROM PRINTED CIRCUIT BOARD WITHOUT USE OF HARDWARE.
- CENTER-TO-CENTER SPACING OF TERMINALS IS .085 NOMINAL.
- RETAINER MUST REMAIN INSTALLED UNTIL AFTER CONNECTOR HAS BEEN INSERTED INTO PCB HOLES.
- OBSOLETE

10	THREADED INSERTS	554753-2
	TAPPED HOLES	554753-1
	DESCRIPTION	PART NUMBER

THIS DRAWING IS A CONTROLLED DOCUMENT.		DWN	YTP/JTA	09 NOV 93	Tyco Electronics Corporation Harrisburg, PA 17105-3608	
DIMENSIONS: mm [INCHES]		CHK	C. WHITT	02 DEC 93		
TOLERANCES UNLESS OTHERWISE SPECIFIED:		APVD	R. FLAHERTY	08 DEC 93		
0 PLC ± - 1 PLC ± - 2 PLC ± - 3 PLC ± - 4 PLC ± - ANGLES ± - FINISH		PRODUCT SPEC	NAME			
MATERIAL		APPLICATION SPEC	RECEPTACLE ASSEMBLY, 50 POSITION, SELF-RETAINED, ACTION PIN, CHAMP-LOK			
		WEIGHT	-		SIZE	A2
CUSTOMER DRAWING		SCALE	2:1		CAGE CODE	00779
		SHEET	1 of 1		DRAWING NO	C=554753
		REV	F		RESTRICTED TO	-