

4

3

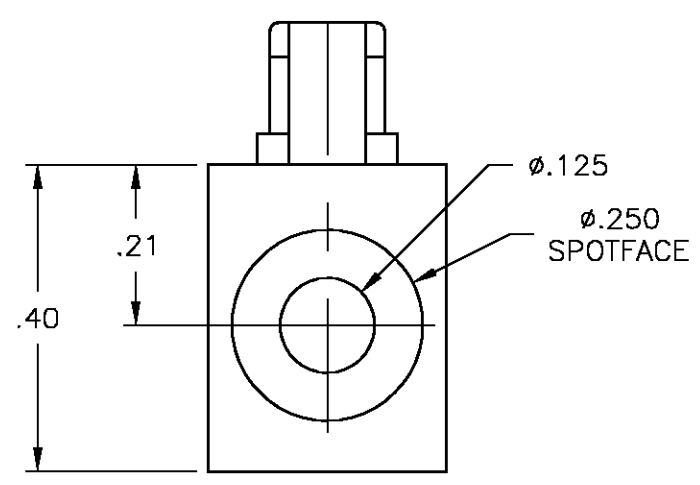
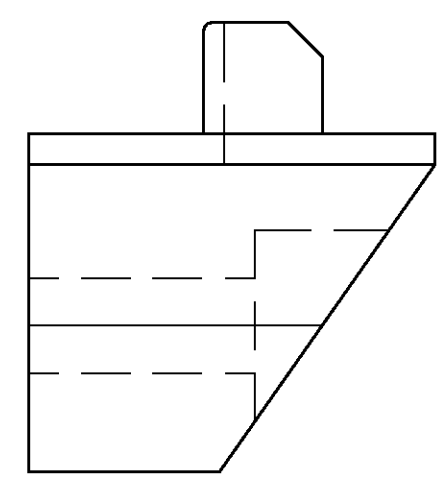
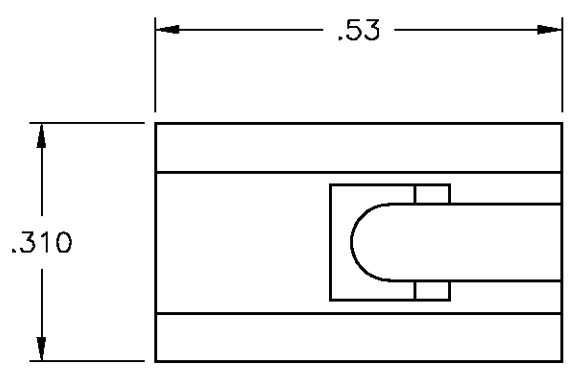
2

1

THIS DRAWING IS UNPUBLISHED. RELEASED FOR PUBLICATION
 © COPYRIGHT BY TYCO ELECTRONICS CORPORATION. ALL RIGHTS RESERVED.

LOC	DIST	REVISIONS			
P	LTR	DESCRIPTION	DATE	DWN	APVD
FT	0	0	REVISED PER 0G3B-00135-05	2/9/05	SS SRY

NOTES:
 ⚠ MATERIAL: THERMOPLASTIC, UL94V-0, COLOR BLACK.



3PCR BUSHING	1-1437644-1
CATALOG NO.	PART NO.

THIS DRAWING IS A CONTROLLED DOCUMENT.		DWN S SCHLEGEL 2/9/05	BUCHANAN Tyco Electronics Corporation Harrisburg, Pa 17105-3608			
DIMENSIONS: INCHES 		CHK S YODER 2/9/05				
TOLERANCES UNLESS OTHERWISE SPECIFIED: 0 PLC ± - 1 PLC ± - 2 PLC ± .02 3 PLC ± .010 4 PLC ± - ANGLES ± 5°		APVD S YODER 2/9/05	NAME #3 RIGHT ANGLE MOUNT			
MATERIAL - ⚠		PRODUCT SPEC -	APPLICATION SPEC -			
FINISH -		WEIGHT -	SIZE A3	CAGE CODE 00779	DRAWING NO C-1-1437644-1	RESTRICTED TO -
CUSTOMER DRAWING			SCALE NTS	SHEET 1 OF 1	REV 0	