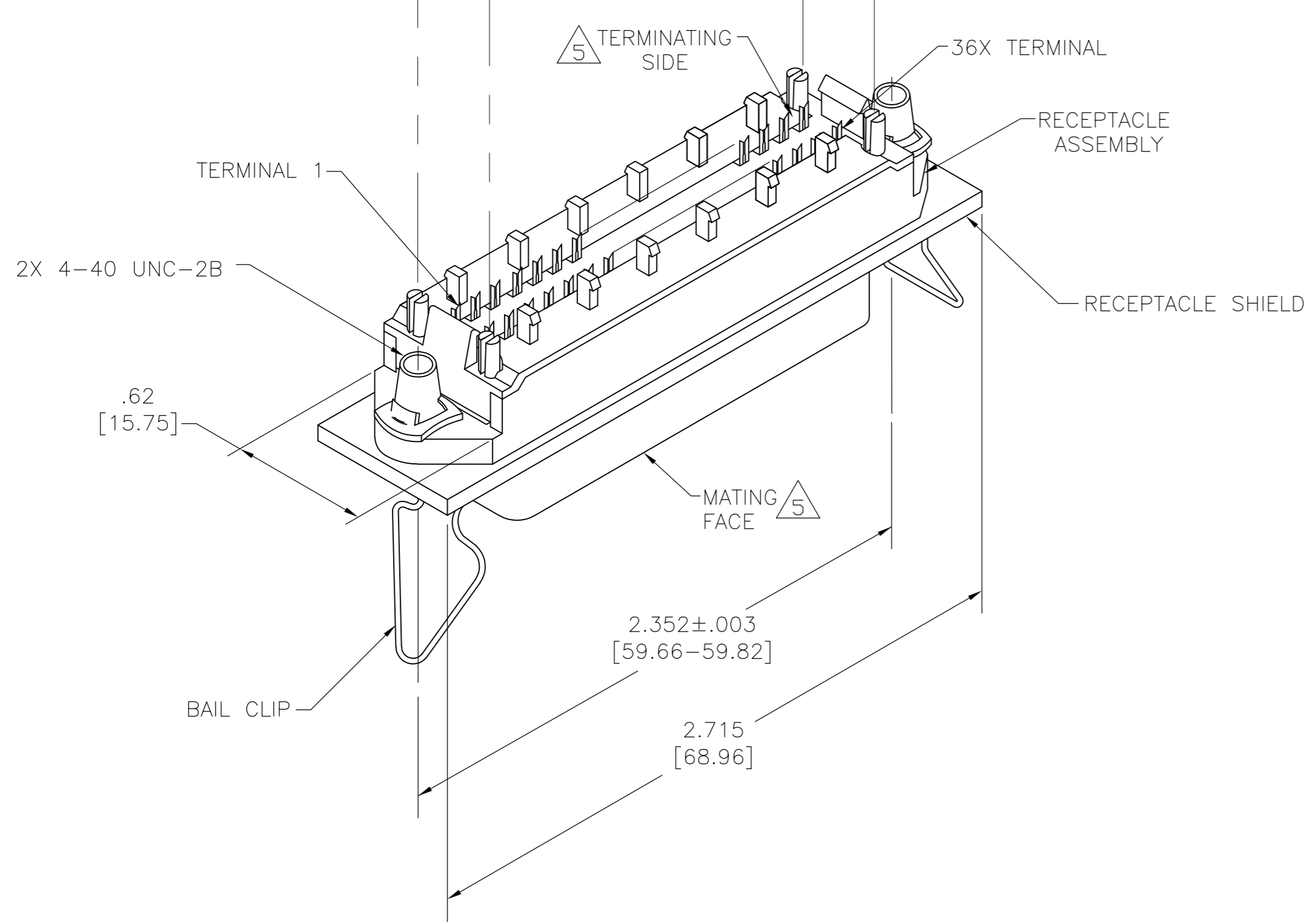
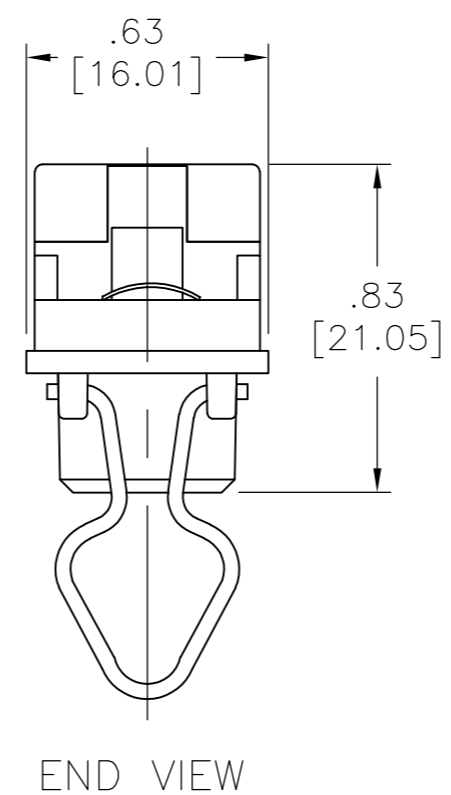
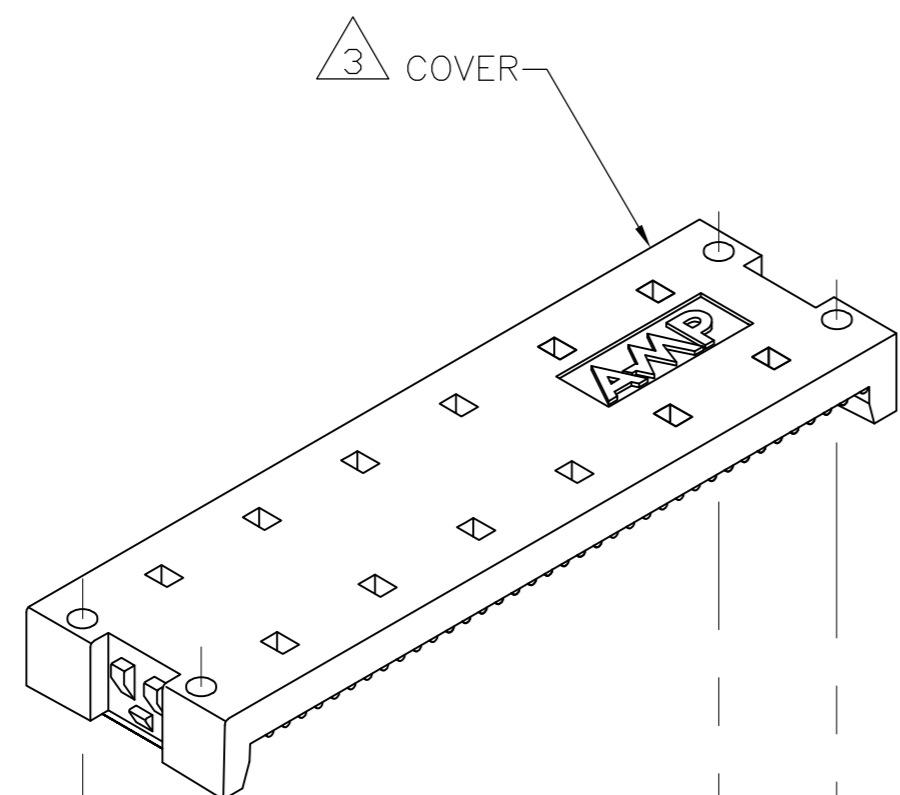
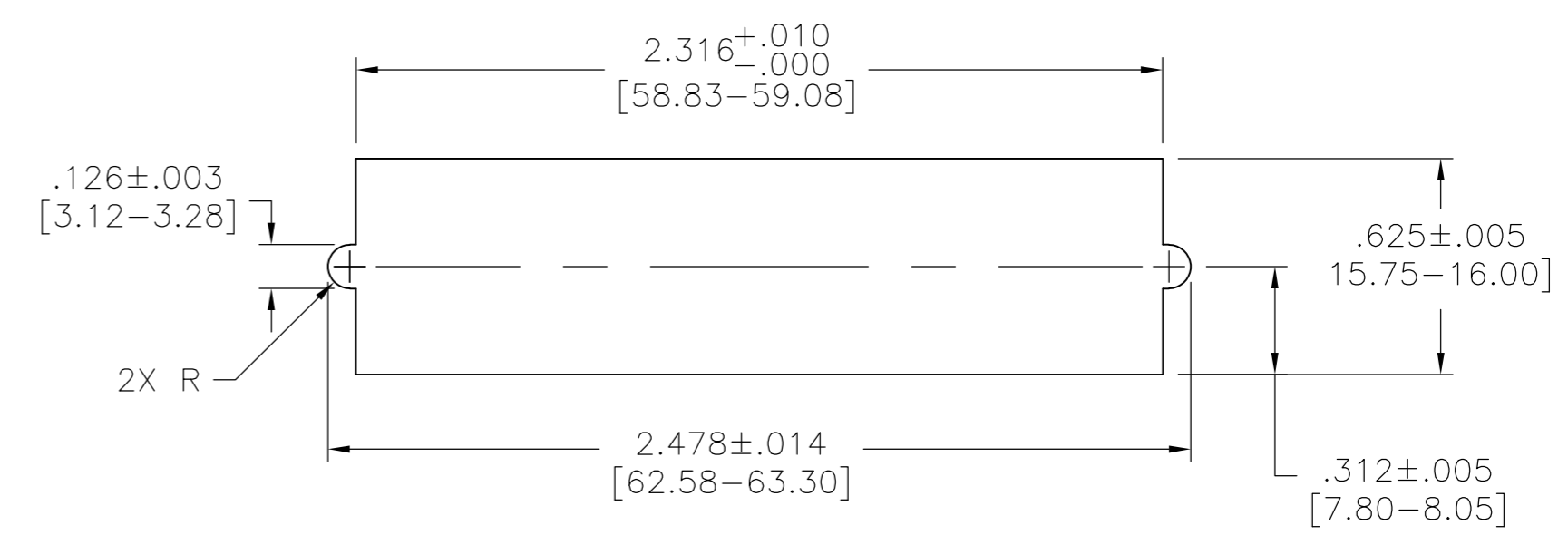


THIS DRAWING IS UNPUBLISHED. RELEASED FOR PUBLICATION
 © COPYRIGHT BY TYCO ELECTRONICS CORPORATION. ALL RIGHTS RESERVED.

LOC	DIST	REVISIONS			
P	LTR	DESCRIPTION	DATE	DWN	APVD
GP	00				
	B	REVISED PER ECO-08-007327	17APR08	BM	WM



1. THE CONTACT SURFACES OF THE TERMINALS ARE COATED WITH LUBRICANT.
- 2 MATERIAL:
 HOUSING & COVER: PLYPHENYLENE OXIDE (BLACK).
 TERMINALS: PHOS BRONZE PLATED WITH EITHER .000030 [0.76µm] MINIMUM GOLD PLATE OR GOLD FLASH OVER PALLADIUM NICKEL PLATE, .000030 [0.76µm] MIN TOTAL ON MATING SURFACE. GOLD FLASH PLATED ON TERMINATING SIDE. .000050 [1.27µm] MINIMUM NICKEL UNDERPLATE OVER ENTIRE TERMINAL.
 SHIELD: NICKEL PLATED DIE CASTING.
 BAIL CLIPS: PASSIVATED STAINLESS STEEL.
 HARDWARE: ZINC PLATED SPRING STEEL.
- 3 COVER SHOWN LOOSE BUT SHIPPED ASSEMBLED.
4. WIRE RANGE: 26 AWG SOLID THRU 30 AWG SOLID AND 28 AWG STRANDED RIBBON CABLE.
- 5 MATING FACE CONSISTS OF TWO ROWS OF TERMINALS ON .085 CENTERS. TERMINATING SIDE CONSISTS OF TERMINALS ON .100 CENTERS FOR AN EFFECTIVE .050 TERMINATION.
- 6 PANEL THICKNESS RANGE: .062 MAX.
7. FOR MORE INFORMATION REFER TO AMP PRODUCT SPEC 108-6076 & APPLICATION SPEC 114-6030.
- 8 ALL DIMENSIONS SHOWN ARE MAXIMUM UNLESS OTHREWISE SPECIFIED.



6 SUGGESTED REAR PANEL MOUNTING CUTOUT DIMENSIONS

5555983-1
 PART NUMBER

THIS DRAWING IS A CONTROLLED DOCUMENT.		DWN B. MCMASTER 26OCT05	Tyco Electronics Corporation Harrisburg, PA 17105-3608	
DIMENSIONS: INCHES [mm]		CHK W. MILLHIMES 26OCT05	NAME	
TOLERANCES UNLESS OTHERWISE SPECIFIED:		APVD W. MILLHIMES 26OCT05	EMI RECEPTACLE ASSEMBLY, 36 POSITION, LOW PROFILE, SHIELDED, BAIL LOCK, CHAMP LATCH	
0 PLC ± -	1 PLC ± -	PRODUCT SPEC	SIZE A2	CAGE CODE 00779
2 PLC ± -	3 PLC ± -	APPLICATION SPEC	DRAWING NO C=5555983	RESTRICTED TO
4 PLC ± -	ANGLES ± -		SCALE 2:1	SHEET 1 of 1
MATERIAL 2	FINISH 2	WEIGHT -	REV B	
CUSTOMER DRAWING				