

Thermofit Molded Parts Specification Control Drawing

Part Number : 222F211thru285

Description : Boot, 90 Deg., With Lip

NOTES

- All dimensions are in $\frac{\text{inches}}{\text{[millimeters]}}$
- Dimensions appearing in table are as follows:
 - a - As Supplied
 - b - After Unrestricted Recovery
- Coating is optional. As supplied dimensions appearing in table are for uncoated parts. When coating is added, entry diameters will be reduced by .06 max.
- "S" & "T" dimensions apply to a minimum of 240° of the circumference.

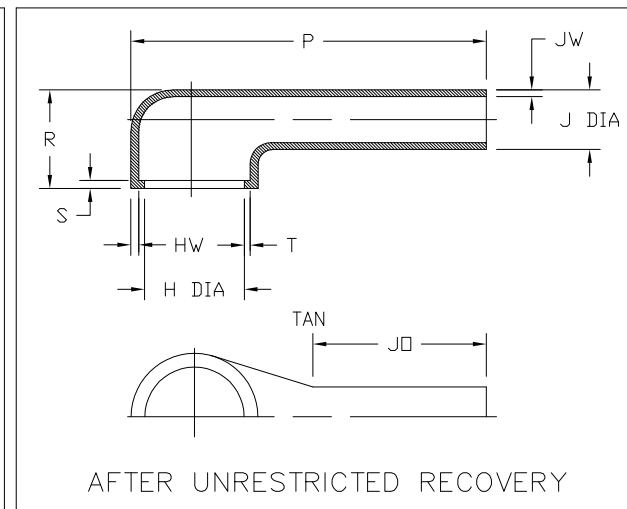
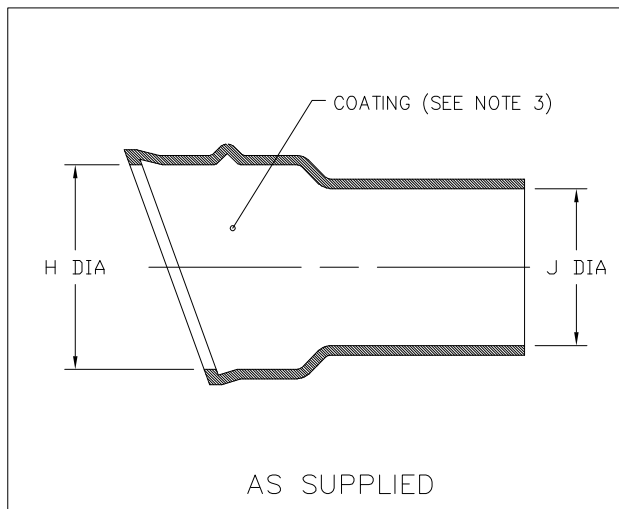


TABLE OF DIMENSIONS

PART NUMBER	H		J		P ±10% b	R ±10% b	JO ±10% b	HW +.06 -.03 b	JW ±.03 b	S +.06 -.03 b	T ±.03 b
	Min	Max	Min	Max							
	a	b	a	b							
222F211	.94 [23,9]	.39 [9,9]	.68 [17,3]	.26 [6,6]	4.14 [105,2]	.73 [18,8]	3.45 [87,6]	.06 [1,52]	.06 [1,52]	.06 [1,52]	.05 [1,27]
222F221	1.07 [27,2]	.52 [13,2]	.82 [20,8]	.30 [7,6]	4.88 [124,0]	.78 [19,8]	3.90 [99,1]	.06 [1,52]	.06 [1,52]	.06 [1,52]	.05 [1,27]
222F232	1.22 [31,0]	.73 [18,5]	.96 [24,4]	.35 [8,9]	5.76 [146,3]	.82 [20,8]	4.50 [114,3]	.07 [1,78]	.06 [1,52]	.07 [1,78]	.05 [1,27]
222F242	1.40 [35,6]	.87 [22,1]	1.13 [28,7]	.40 [10,2]	6.78 [172,2]	.86 [21,8]	5.22 [132,6]	.07 [1,78]	.06 [1,52]	.07 [1,78]	.05 [1,27]
222F253	1.53 [38,9]	1.11 [28,2]	1.24 [31,5]	.43 [10,9]	7.29 [185,2]	.96 [24,4]	5.66 [143,8]	.07 [1,78]	.06 [1,52]	.07 [1,78]	.07 [1,78]
222F263	1.78 [45,2]	1.27 [32,3]	1.51 [38,4]	.50 [12,7]	8.41 [213,6]	1.08 [27,4]	6.66 [169,2]	.07 [1,78]	.06 [1,52]	.07 [1,78]	.07 [1,78]
222F274	2.03 [51,6]	1.62 [41,1]	1.75 [44,5]	.59 [15,0]	8.84 [224,5]	1.16 [29,5]	6.82 [173,2]	.07 [1,78]	.07 [1,78]	.07 [1,78]	.07 [1,78]
222F285	2.47 [62,7]	1.69 [42,9]	1.86 [47,2]	.69 [17,5]	8.95 [227,3]	1.31 [33,3]	6.62 [168,1]	.08 [2,03]	.07 [1,78]	.07 [1,78]	.08 [2,03]

IF THIS DOCUMENT IS PRINTED IT
BECOMES UNCONTROLLED.
CHECK FOR THE LATEST REVISION.



TE Connectivity
TE CONNECTIVITY
300 CONSTITUTION DRIVE
MENLO PARK, CALIFORNIA 94025

Revision : P1
Date : 29MAR11

Part Number : 222F211thru285
Description : Boot, 90 Deg., With Lip

Molded Parts Specification Control Drawing

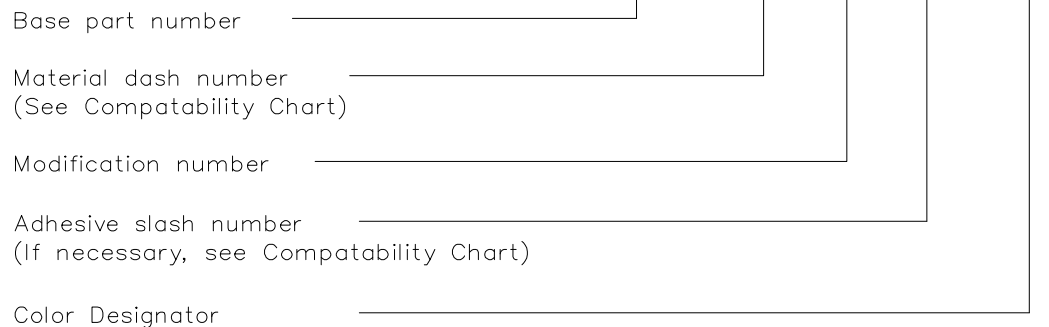
Part Number : 222F211thru285

Description : Boot, 90 Deg., With Lip

COMPATABILITY CHART					
MATERIAL DASH NO.	MATERIAL DESCRIPTION	RT SPEC	COATING SLASH NO.	COATING S NO.	COATING DESCRIPTION
-50	Flexible VPB	RT-1313	N/A		
-51	Flexible EPB	RT-1321	/164	S-1124	Adhesive
-71	Flexible Polyolefin	RT-1316	/42,/86,/180	S-1017,S-1048,S-1030	Adhesive
-770	NBCCS	RT-770 TYPE II			

ORDERING INFORMATION

222F2XX -XX -XX /XXX -0



IF THIS DOCUMENT IS PRINTED IT BECOMES UNCONTROLLED.
CHECK FOR THE LATEST REVISION.

THIS DRAWING IS SUBJECT TO CHANGE WITHOUT NOTICE; CONSULT YOUR
NEAREST FIELD REPRESENTATIVE FOR CURRENT REVISION



TE CONNECTIVITY
300 CONSTITUTION DRIVE
MENLO PARK, CALIFORNIA 94025

Revision : P1
Date : 20APR11
Page 2 OF 2

Part Number : 222F211thru285
Description : Boot, 90 Deg., With Lip