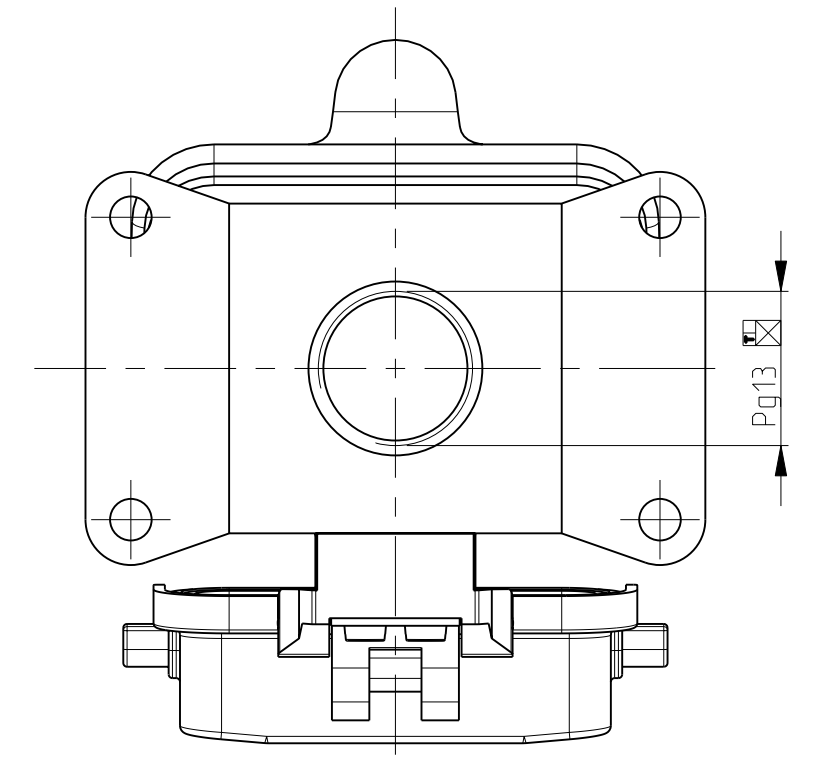
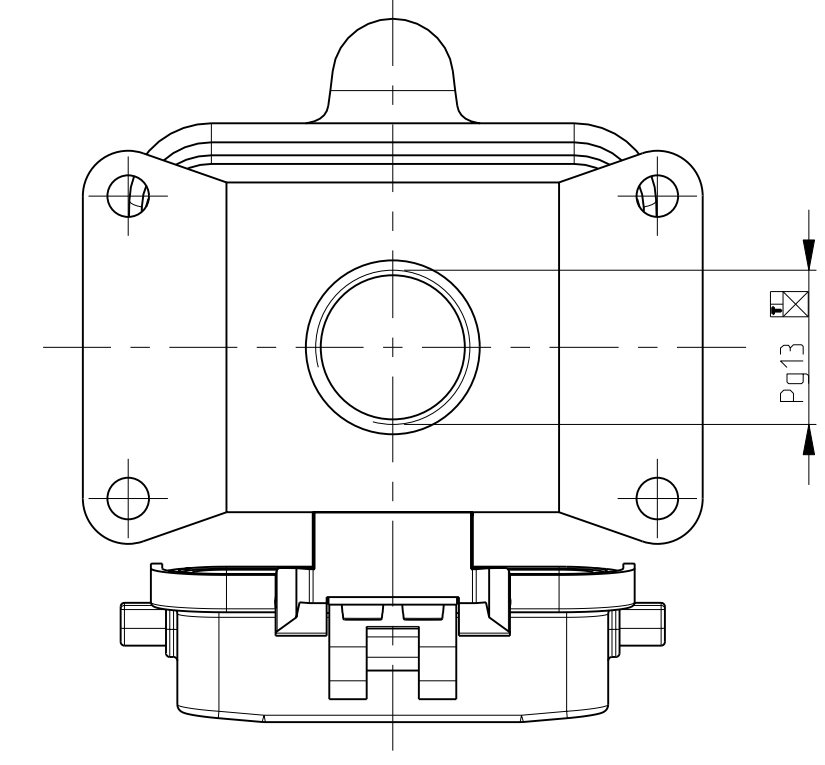


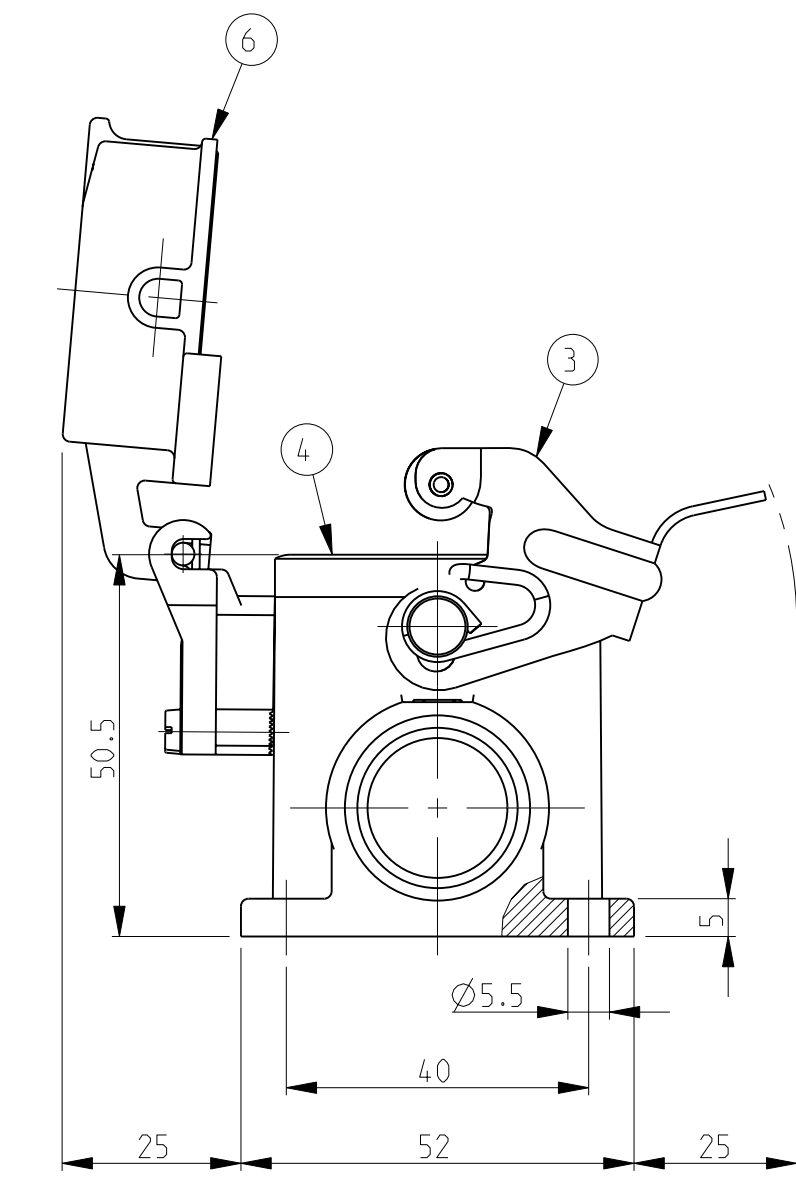
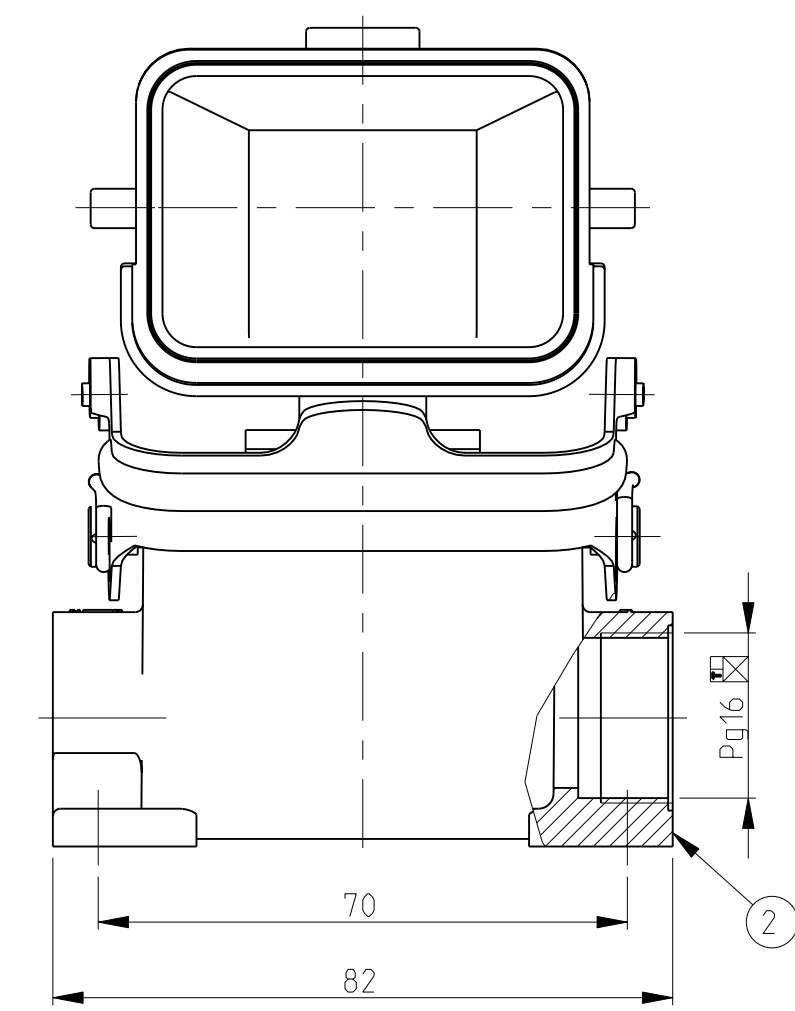
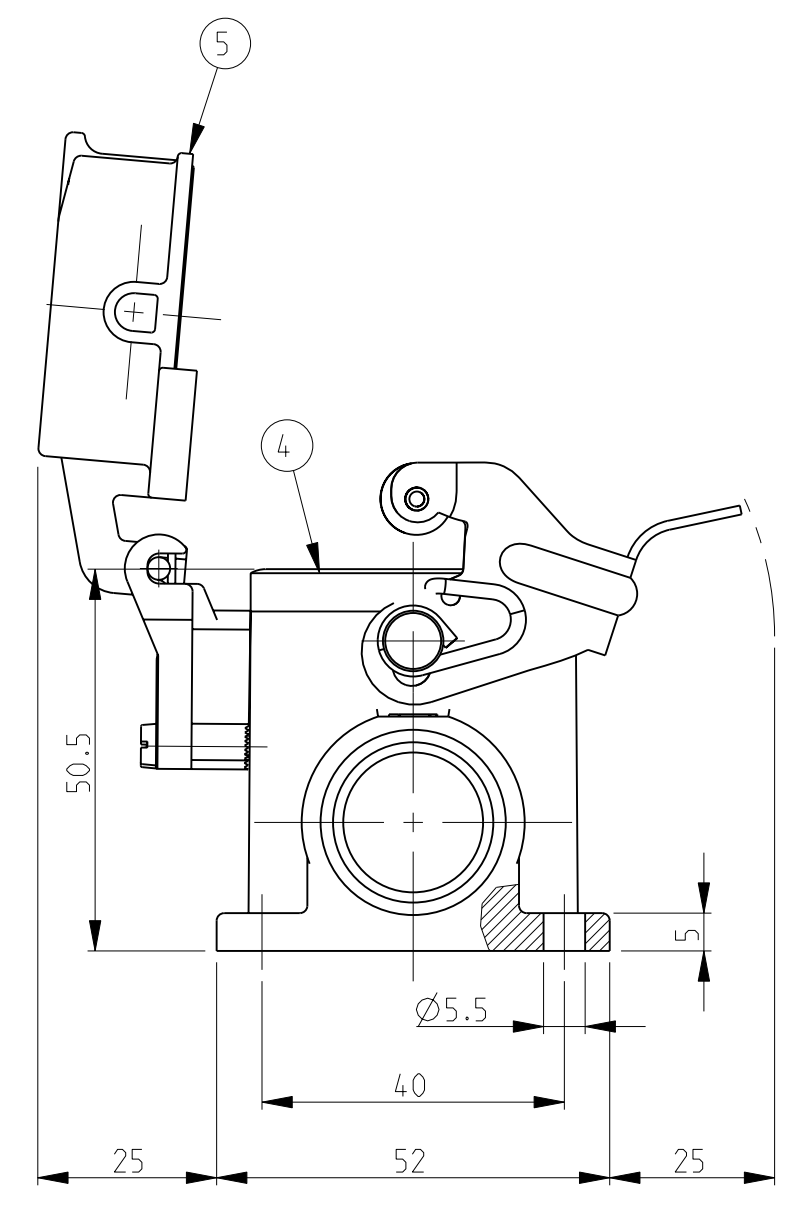
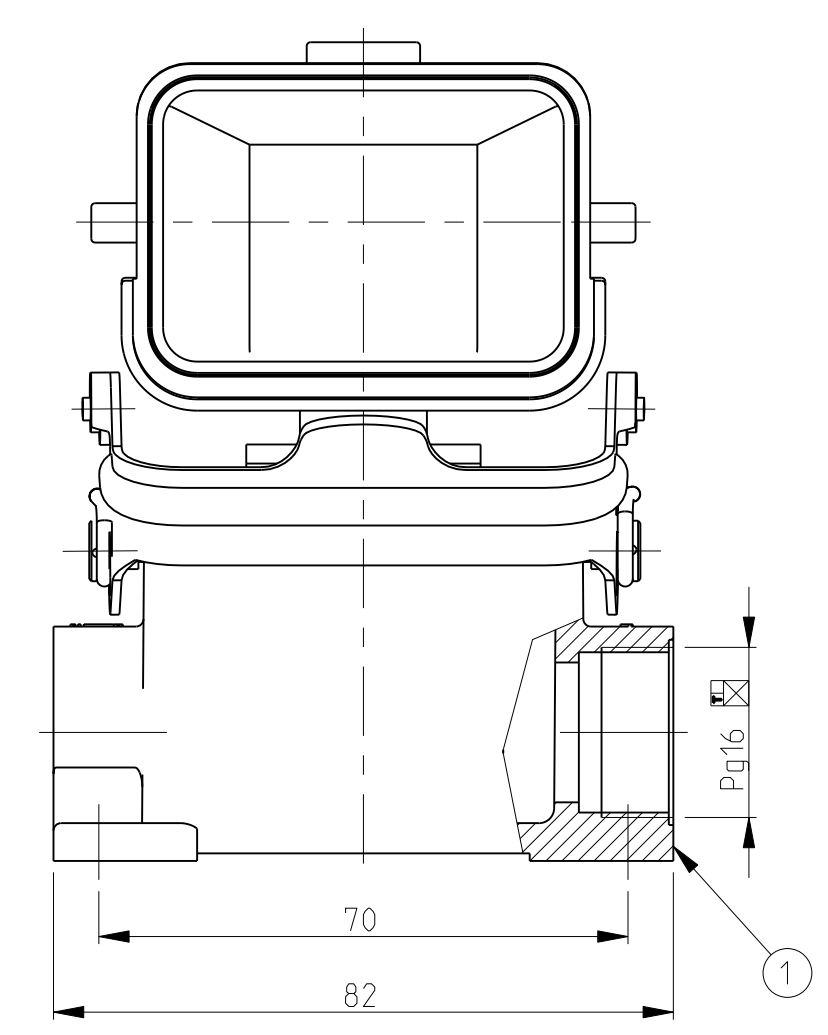
LOC	DIST	REVISIONS			
A1	-	REV	DATE	DWN	APVD
		A2	Released as per ECR-08-018916	29.July.2008	SP TS



PN 0-1

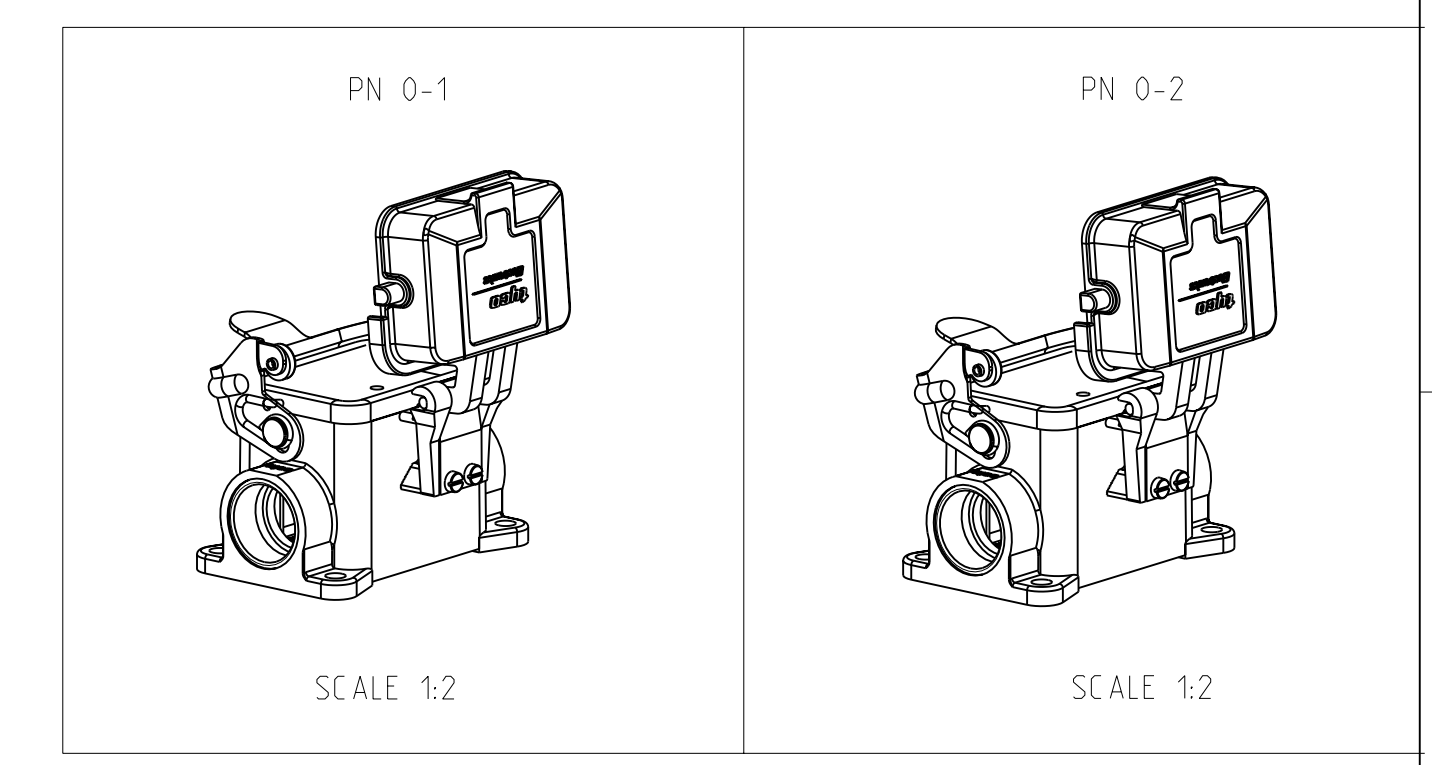


PN 0-2



NOTES.

- 1 Material:Housing:Aluminium Diecasting Alloy
Seals:Neoprene
- 2 Surface:Varnish grey
-Aluminium Oxide +Varnish Black /Aluminium
- 3 Varnish on the inside not necessary
- 4 Packaging
Quantity 5 Pieces in a box



ITEM NO	DESCRIPTION	MATERIAL	SURFACE	COLOR	ITEM NO	REMARKS
1	Cover finished product HB-K	Aluminium	Aluminium oxide	Aluminium colored	6	
1	Cover finished product HB-K	Aluminium	Aluminium oxide	Black RAL 9005	5	
1	Profile seal	Neoprene		Black	4	
1	LB-Side clip	Stainless steel	Blank		3	
1	Surface mounted housing side entry HB-K	Aluminium	Aluminium oxide	Aluminium colored	2	
1	Surface mounted housing side entry HB-K	Aluminium	Aluminium oxide	Black RAL 9006	1	

ORDERING TEXT		HB-K.6.SGD-LB.1.16.Z+1.13.GB		HB-K.6.SGD-LB.1.16.Z+1.13.GB	
DIMENSIONS:		TOLERANCES UNLESS OTHERWISE SPECIFIED:		DWN	
mm		0.100 mm		Schneider 29.04.2003	
0.100 mm		0.100 mm		CHK	
0.100 mm		0.100 mm		Schweiger 29.04.2003	
0.100 mm		0.100 mm		APVD	
0.100 mm		0.100 mm		NAME	
0.100 mm		0.100 mm		Schneider	
0.100 mm		0.100 mm		Tyco Electronics	
0.100 mm		0.100 mm		Tyco Electronics,AMP.GmbH	
0.100 mm		0.100 mm		0-53819,Neunkirchen,Germany	
0.100 mm		0.100 mm		PRODUCT SPEC	
0.100 mm		0.100 mm		108-74009	
0.100 mm		0.100 mm		APPLICATION SPEC	
0.100 mm		0.100 mm		114-74001	
0.100 mm		0.100 mm		WEIGHT	
0.100 mm		0.100 mm		-	
0.100 mm		0.100 mm		CUSTOMER DRAWING	
0.100 mm		0.100 mm		SCALE	
0.100 mm		0.100 mm		1:1	
0.100 mm		0.100 mm		SHEET	
0.100 mm		0.100 mm		1 OF 1	
0.100 mm		0.100 mm		REV	
0.100 mm		0.100 mm		A2	