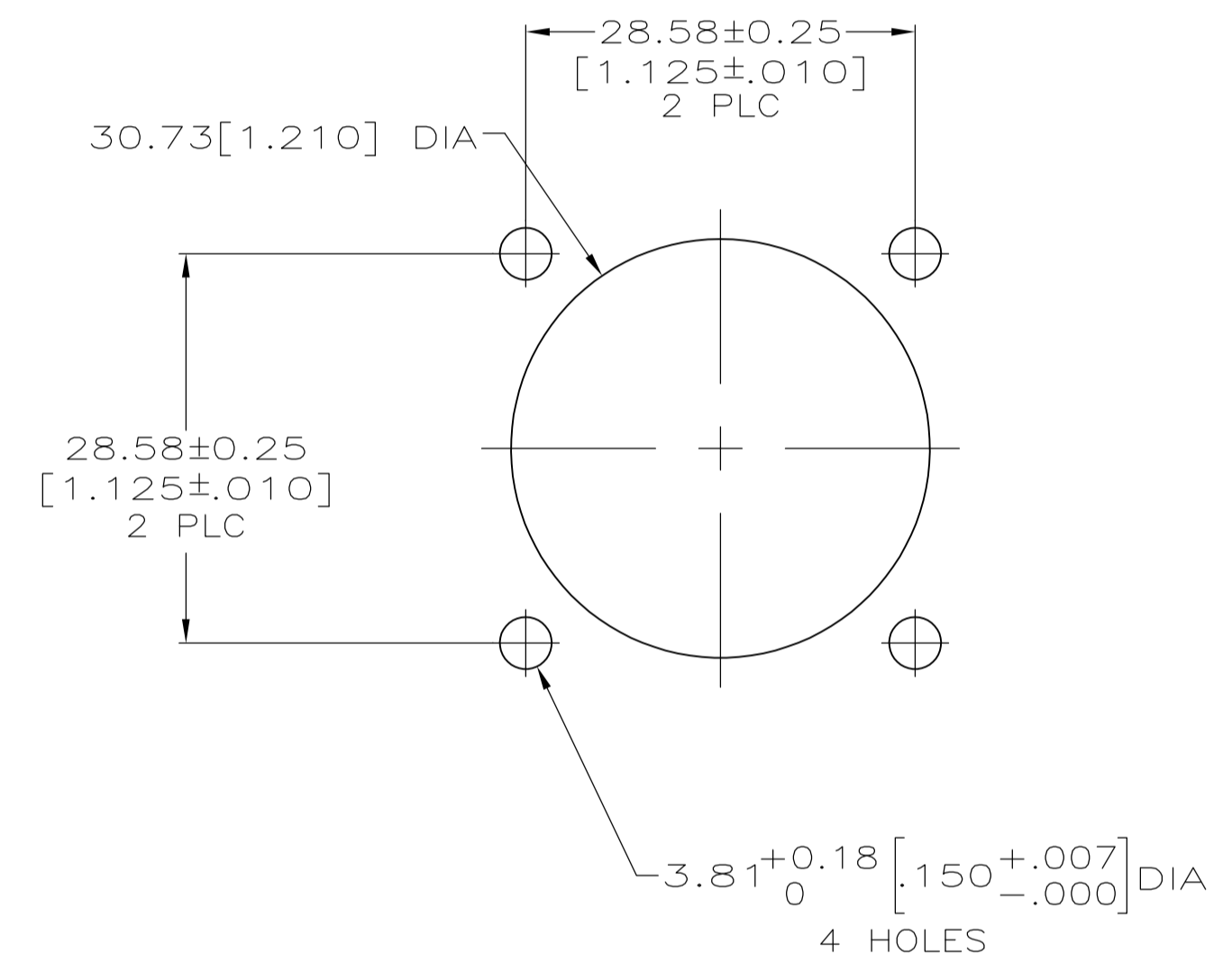
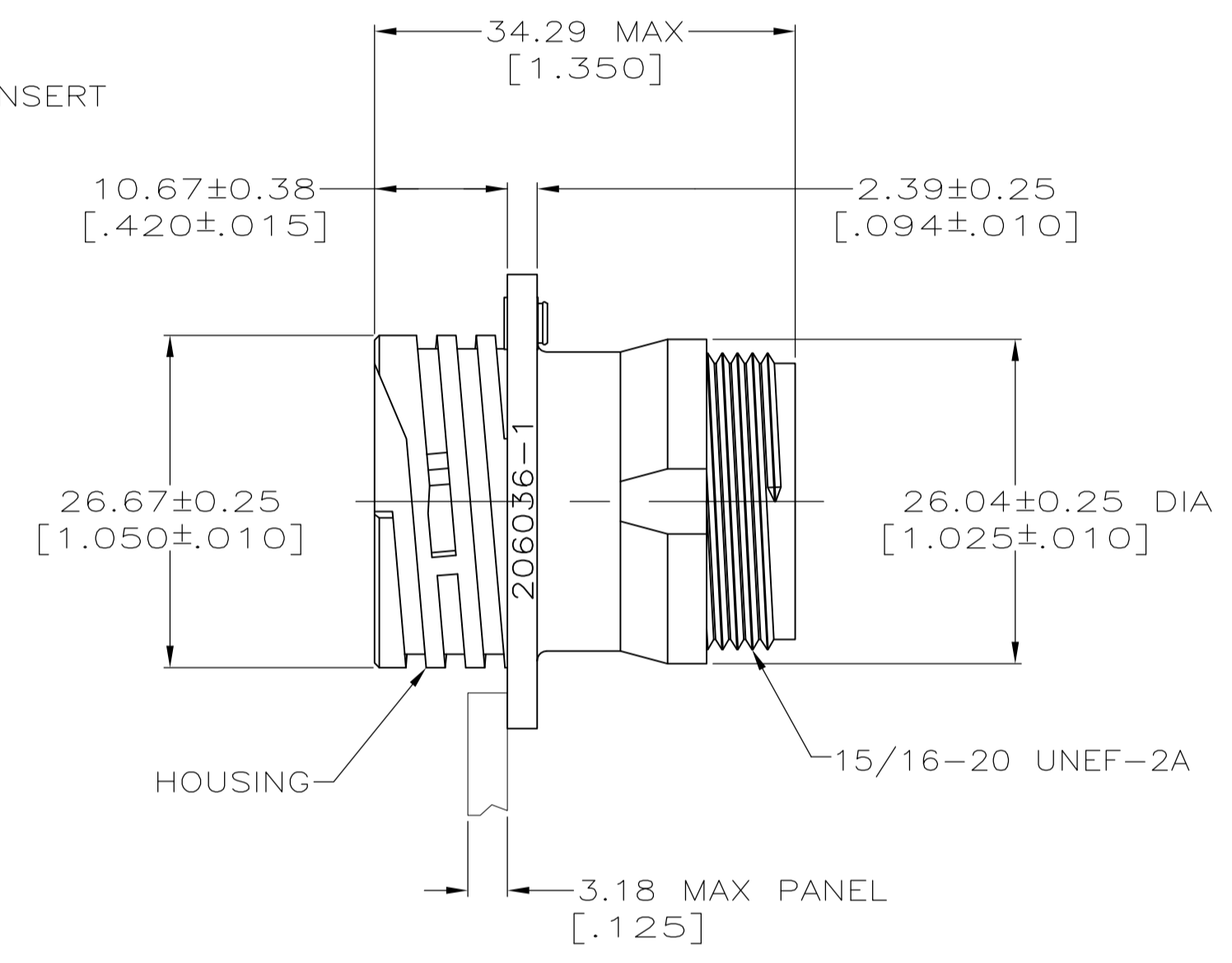
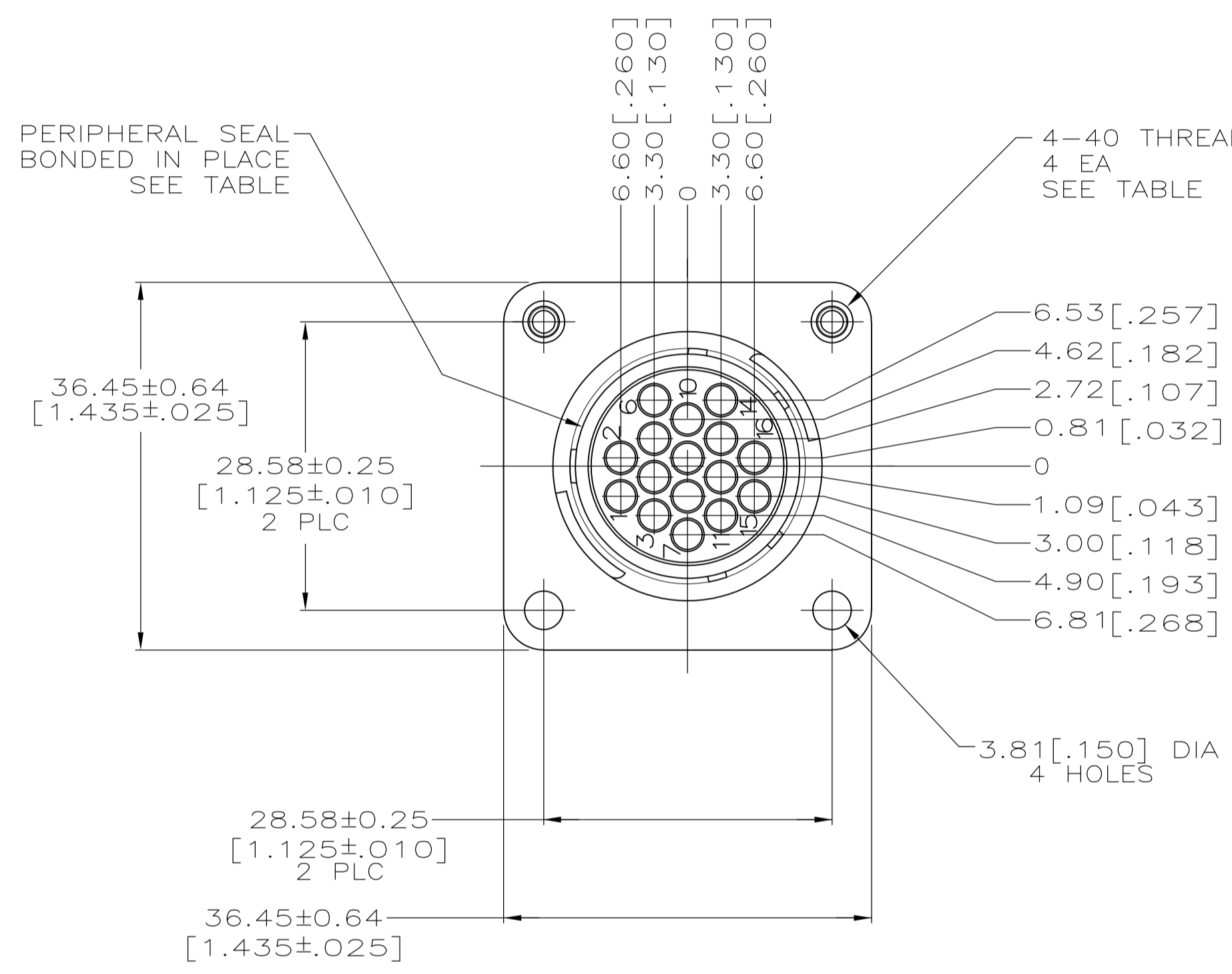


LOC		DIST		REVISIONS			
FT	0	P	LTR	DESCRIPTION	DATE	DMN	APVO
S				REVISED PER ECO-12-015521	28SEP12	KH	MZ

- 1 HOUSING: NYLON, BLACK.
PERIPHERAL SEAL: ELASTOMER, GRAY.
THREADED INSERTS: BRASS.
- 2 CAVITY IDENTIFICATION ON FRONT AND REAR FACE.
- 3 WILL ACCEPT (16) MULTIMATE PIN CONTACTS.
- 4 HOUSING: NYLON, BLUE.
PERIPHERAL SEAL: ELASTOMER, GRAY.
THREADED INSERTS: BRASS.
- 5 OBSOLETE PARTS: OBSOLETE CIS STREAMLINING PER D.RENAUD/D.SINISI



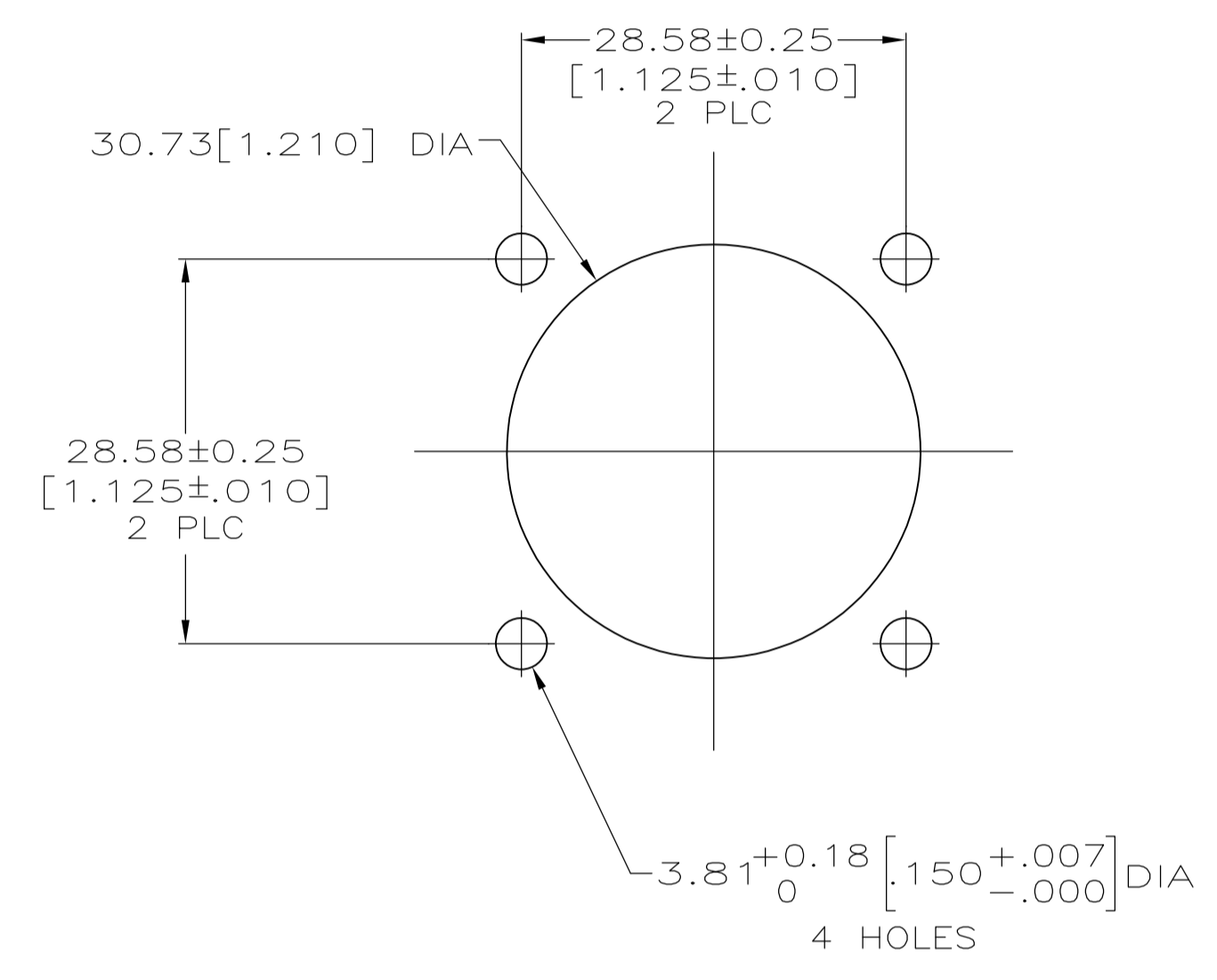
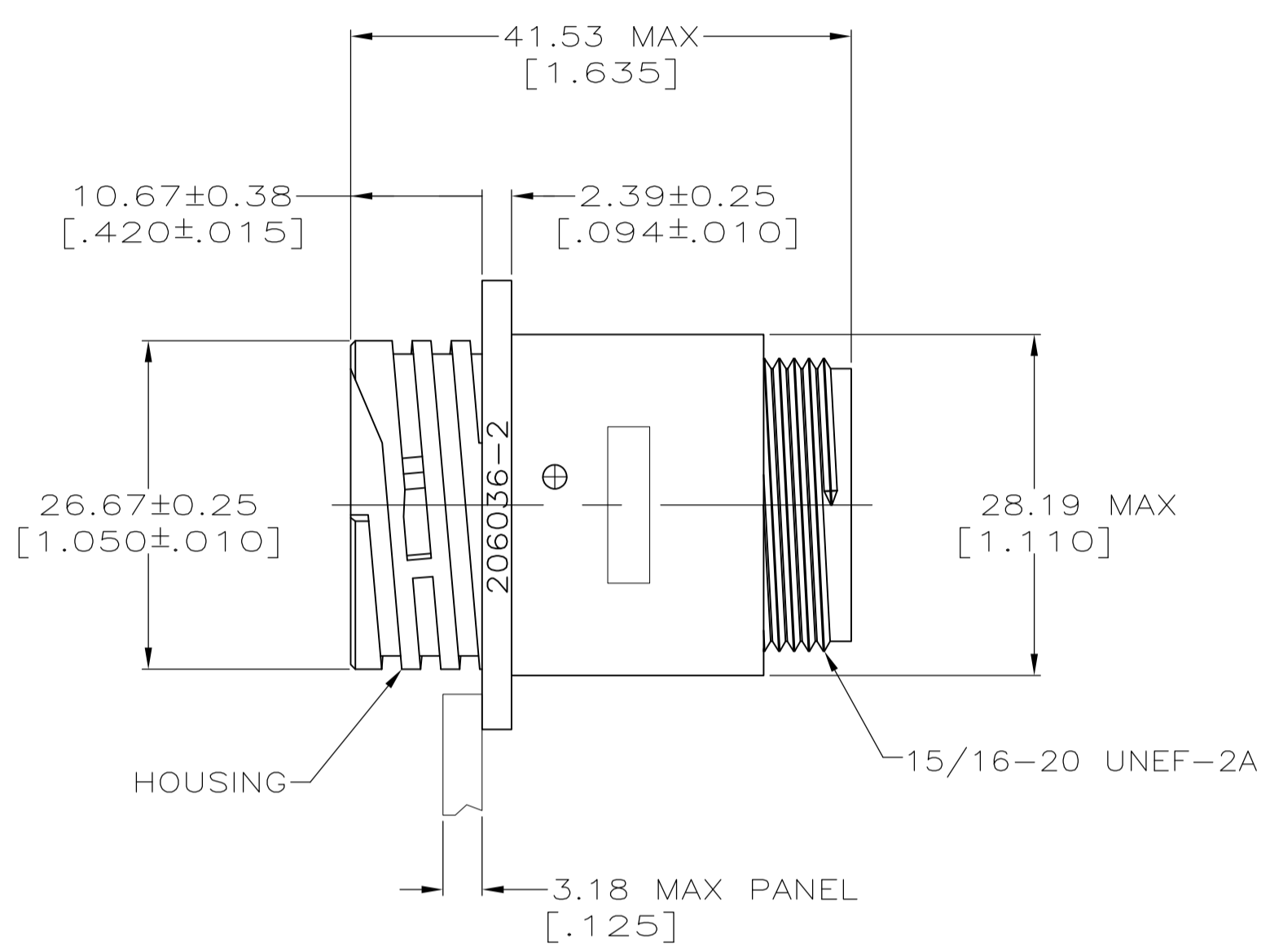
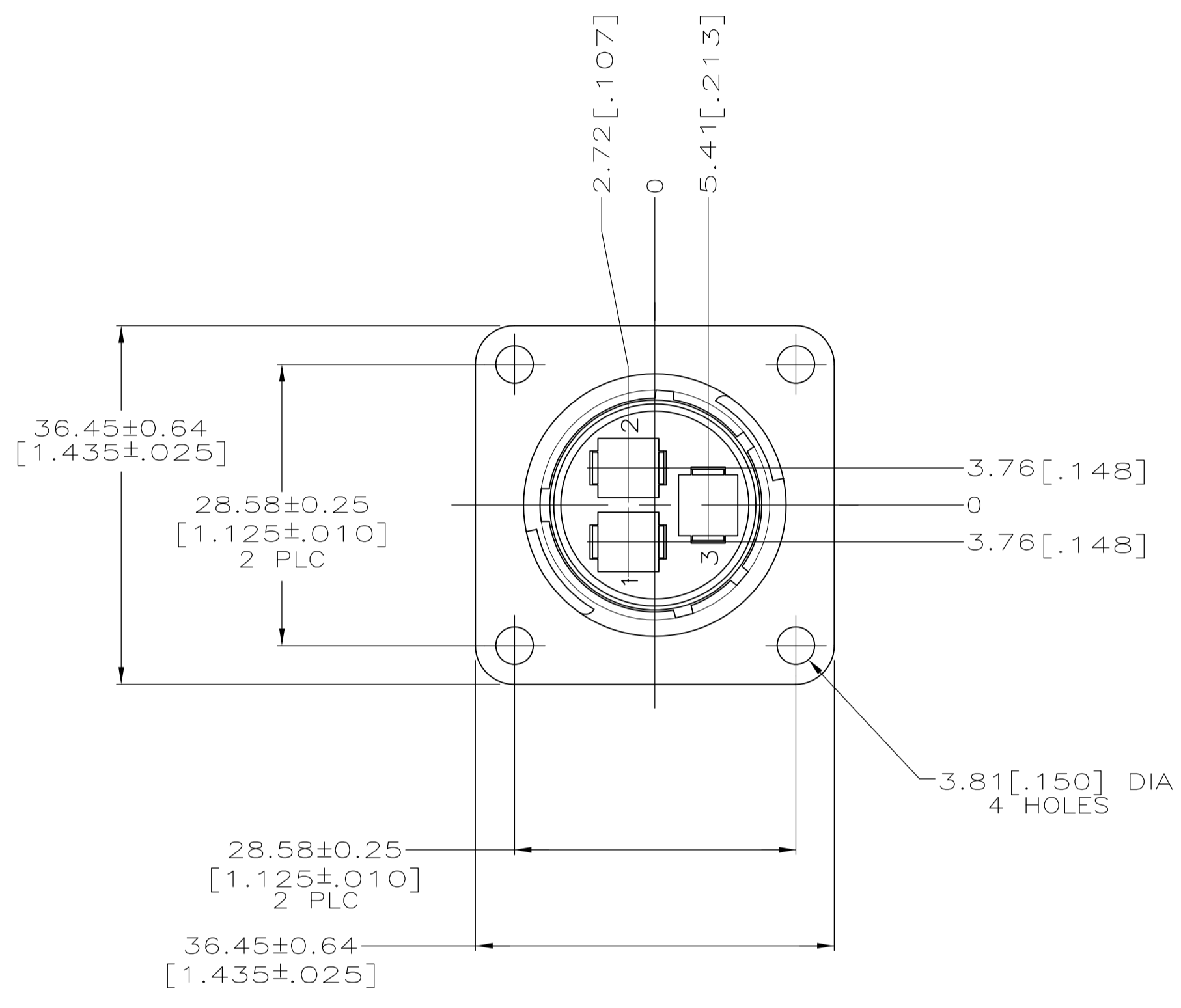
RECOMMENDED PANEL CUTOUT

△ OBSOLETE	△	STANDARD	NO	YES	206036-9
	△	STANDARD	YES	NO	206036-8
	△	SMALL PACK	NO	NO	206036-7
	△	STANDARD	NO	YES	206036-4
	△	STANDARD	NO	NO	206036-1
MATERIAL	PACKAGING	4-40 THREADED INSERTS	PERIPHERAL SEAL	PART NUMBER	

THIS DRAWING IS A CONTROLLED DOCUMENT.		DIN D. GELTZ 7-22-93	STE TE Connectivity	
DIMENSIONS: mm [INCHES]		TOLERANCES UNLESS OTHERWISE SPECIFIED: 0 PLC ± - 1 PLC ± - 2 PLC ± 0.13 [.005] 3 PLC ± - 4 PLC ± - ANGLES ± -	APVO R. STONE 8-12-93	NAME A. FRANTUM
MATERIAL		FINISH	APPLICATION SPEC 108-10024	SIZE A1
CUSTOMER DRAWING		SCALE 2:1	WEIGHT	SHEET 1 OF 3
			DRAWING NO 00779	REV S
			DRAWING NO 206036	

LOC		DIST		REVISIONS			
FT	0	P	LTR	DESCRIPTION	DATE	DN	APVD
				SEE SHEET 1			

- 1 CAVITY IDENTIFICATION ON FRONT AND REAR FACE.
- 2 WILL ACCEPT (3) TYPE XII PIN CONTACTS.
- 3 HOUSING: NYLON, BLACK.
PERIPHERAL SEAL: ELASTOMER, GRAY.



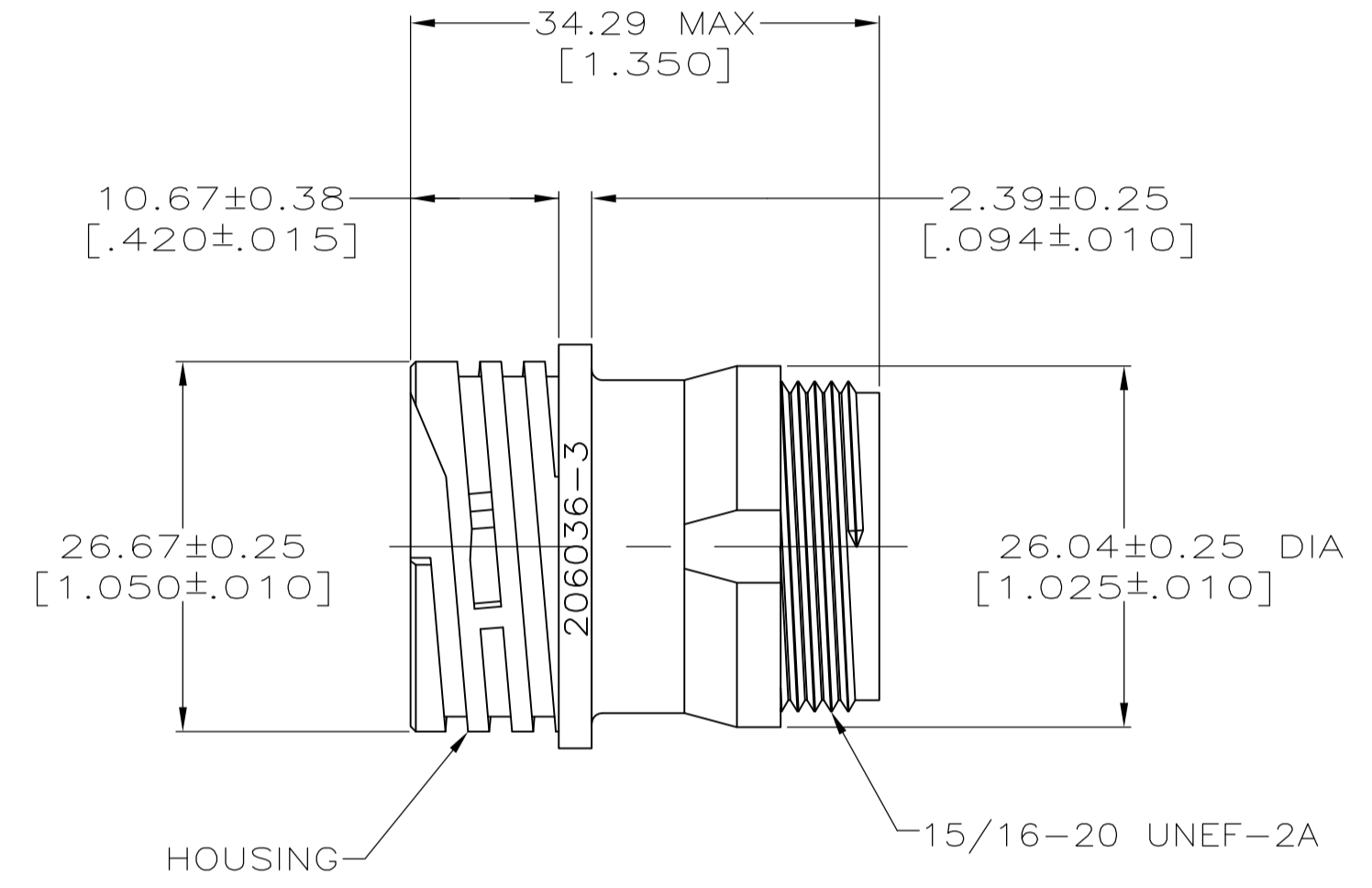
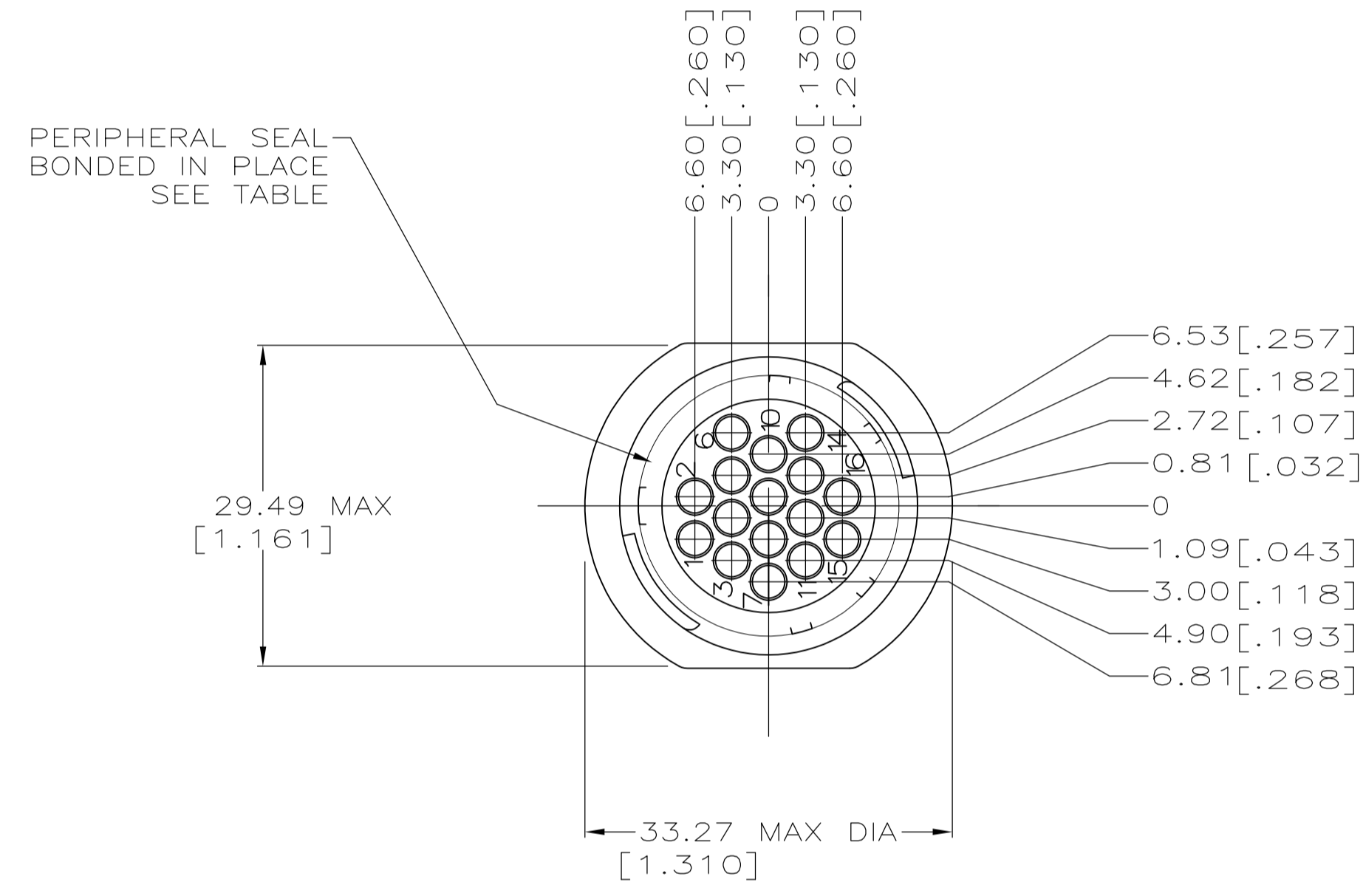
RECOMMENDED PANEL CUTOUT

3	206036-2
MATERIAL	PART NUMBER

THIS DRAWING IS A CONTROLLED DOCUMENT.		DIN D. GELTZ 07/27/93	STE TE Connectivity	
DIMENSIONS: mm(INCHES)		CHK R. STONE 7-22-93	NAME RECEPTACLE HOUSING, STD SEX, SHELL SIZE 17, CPC	
TOLERANCES UNLESS OTHERWISE SPECIFIED:		APVD A. FRANTUM 8-12-93	PRODUCT SPEC 108-10024	
0 PLC ± -	1 PLC ± -	APPLICATION SPEC		
2 PLC ± 0.13 [.005]	3 PLC ± -	SIZE A1	CAGE CODE 00779	DRAWING NO. 206036
4 PLC ± -	ANGLES ± -	WEIGHT -	CUSTOMER DRAWING	RESTRICTED TO -
MATERIAL -	FINISH -	SCALE 2:1	SHEET 2 OF 3	REV S

LOC	DIST	REVISIONS			
FT	O	REV	DESCRIPTION	DATE	BY
-	-	1	SEE SHEET 1	-	-

- 1 CAVITY IDENTIFICATION ON FRONT AND REAR FACE.
- 2 WILL ACCEPT (16) MULTIMATE PIN CONTACTS.
- 3 HOUSING: NYLON, BLACK.
PERIPHERAL SEAL: ELASTOMER, GRAY.
- 4 HOUSING: POLYESTER, PBT, BLACK.
PERIPHERAL SEAL: ELASTOMER, GRAY.



OBSOLETE	MATERIAL	PERIPHERAL SEAL	PART NUMBER
NO			1-206036-3
YES			206036-5
NO			206036-3

THIS DRAWING IS A CONTROLLED DOCUMENT.

DIMENSIONS: mm(INCHES)	TOLERANCES UNLESS OTHERWISE SPECIFIED:	DIN D. GELTZ 07/27/93	APPROVED: R. STONE 7-22-93	NAME: RECEPTACLE HOUSING, STD SEX, SHELL SIZE 17, CPC
0 PLC ± -	1 PLC ± -	APPROVED: A. FRANTUM 8-12-93	PRODUCT SPEC: 108-10024	SIZE: A1
2 PLC ± 0.13 [.005]	3 PLC ± -	APPLICATION SPEC: -	WEIGHT: -	SCALE: 2:1
4 PLC ± -	ANGLES ± -	FINISH: -	CUSTOMER DRAWING	SHEET 3 OF 3

STE TE Connectivity

00779C=206036

RESTRICTED TO: -