

MATERIALS AND FINISHES

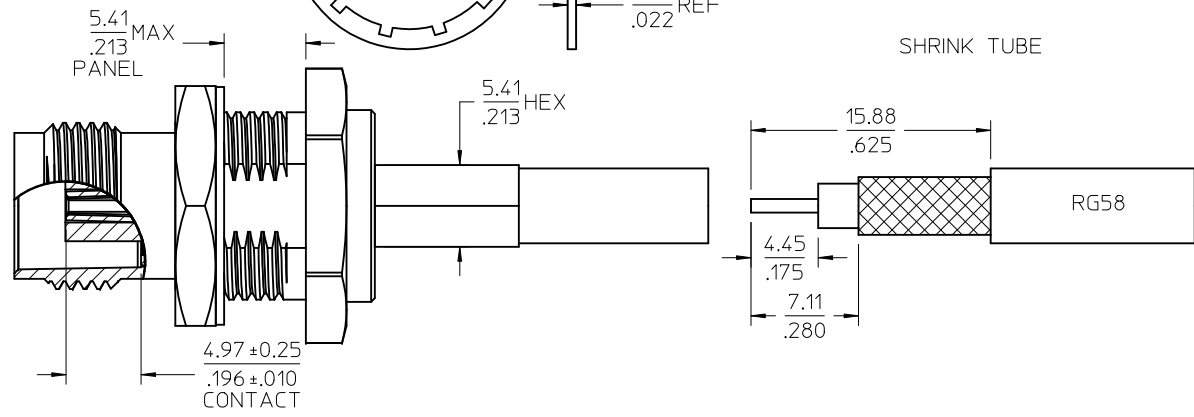
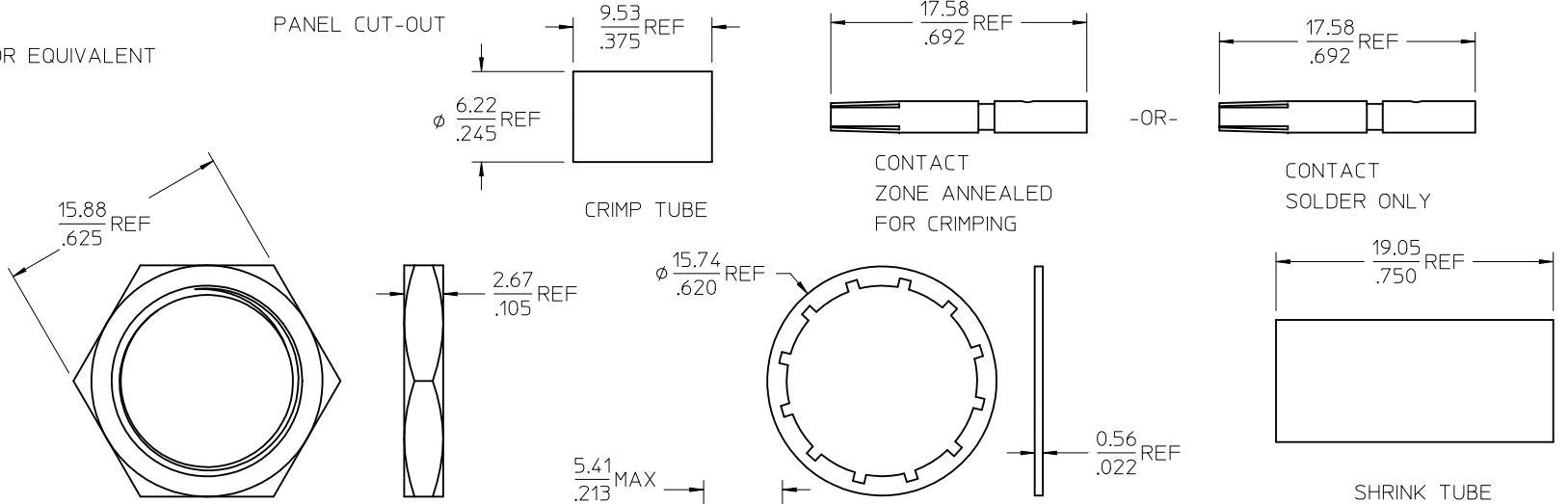
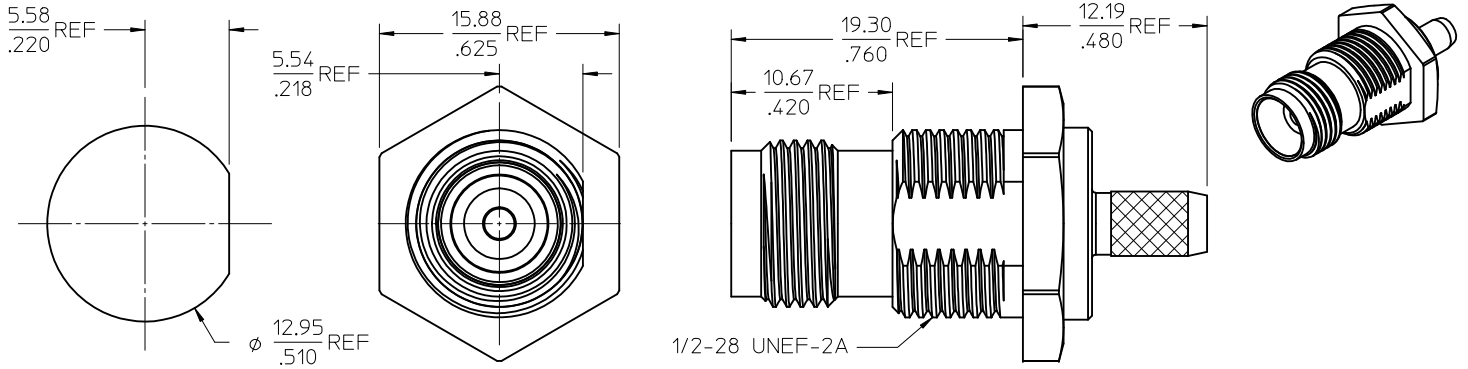
BODY, CRIMP TUBE, JAM NUT: BRASS  
PLATED NICKEL

CONTACT: BERYLLIUM COPPER  
PLATED GOLD

INSULATOR: TEFLON

LOCK WASHER: PHOSPHOR BRONZE  
PLATED NICKEL

SHRINK TUBE: VERSAFIT OR EQUIVALENT



73216-0103	CRIMP/SOLDER	NOT INCLUDED	ONE PER BAG
73216-0102	CRIMP/SOLDER	INCLUDED	STANDARD
73216-0101	SOLDER ONLY	NOT INCLUDED	STANDARD
73216-0100	CRIMP/SOLDER	NOT INCLUDED	STANDARD
PART NO.	CONTACT	SHRINK TUBE	PACKAGING

<p>CHG: "PACKAGING" WAS "FINISH" IN TABLE</p> <p>EC NO: URF2012-0398</p> <p>DRW: BOMALLEY 2012/01/10</p> <p>CHKD: AZR 2012/01/10</p> <p>APPR: JMWENER 2012/01/11</p> <p>REV: A2</p>			
---	--	--	--

<p>QUALITY SYMBOLS</p> <p>▽=0</p> <p>▽=0</p>
--

<p>GENERAL TOLERANCES (UNLESS SPECIFIED)</p> <table border="1"> <tr> <th></th> <th>mm</th> <th>INCH</th> </tr> <tr> <td>4 PLACES</td> <td>± .005</td> <td>± .0005</td> </tr> <tr> <td>3 PLACES</td> <td>± .004</td> <td>± .0004</td> </tr> <tr> <td>2 PLACES</td> <td>± .003</td> <td>± .0003</td> </tr> <tr> <td>1 PLACE</td> <td>± .002</td> <td>± .0002</td> </tr> </table> <p>ANGULAR ± 2°</p> <p>DRAFT WHERE APPLICABLE MUST REMAIN WITHIN DIMENSIONS</p>		mm	INCH	4 PLACES	± .005	± .0005	3 PLACES	± .004	± .0004	2 PLACES	± .003	± .0003	1 PLACE	± .002	± .0002
	mm	INCH													
4 PLACES	± .005	± .0005													
3 PLACES	± .004	± .0004													
2 PLACES	± .003	± .0003													
1 PLACE	± .002	± .0002													

<p>DIMENSION STYLE</p> <p>MM/IN</p> <p>DRAWN BY: AZR</p> <p>DATE: 2008/05/09</p> <p>CHECKED BY: SSS</p> <p>DATE: 2008/05/09</p> <p>APPROVED BY: JDW</p> <p>DATE: 2008/05/09</p> <p>MATERIAL NO. SEE TABLE</p> <p>SIZE: C</p>
--

<p>SCALE: METRIC</p> <p>DESIGN UNITS: METRIC</p> <p>THIRD ANGLE PROJECTION</p> <p>TITLE: TNC JACK BULKHEAD STRAIGHT 50 OHM RG58 TNC-JC, EWR-1499</p> <p>MOLEX MOLEX INCORPORATED</p> <p>DOCUMENT NO. SD-73216-010</p> <p>SHEET NO. 1 OF 1</p> <p>THIS DRAWING CONTAINS INFORMATION THAT IS PROPRIETARY TO MOLEX INCORPORATED AND SHOULD NOT BE USED WITHOUT WRITTEN PERMISSION</p>
--