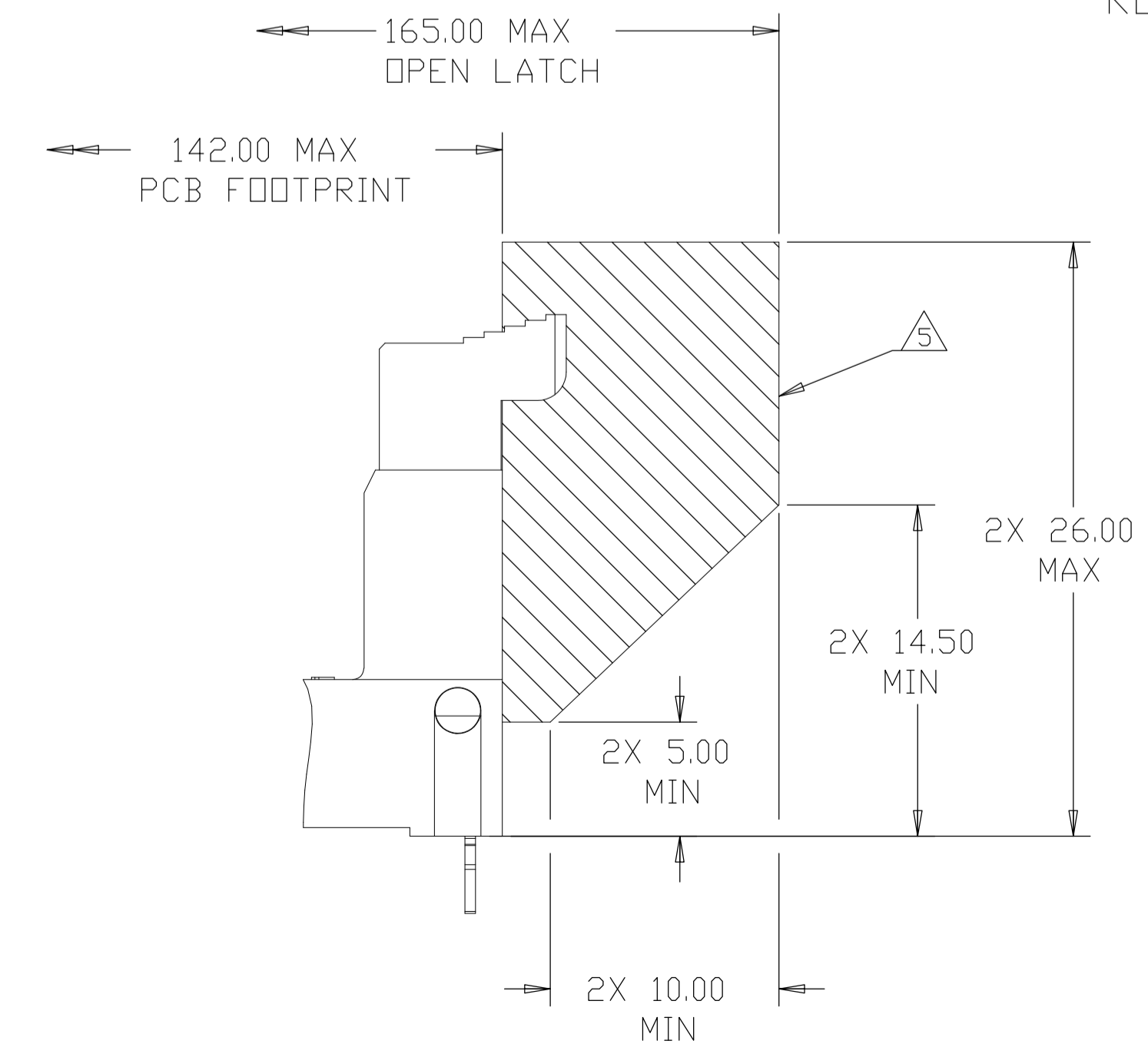


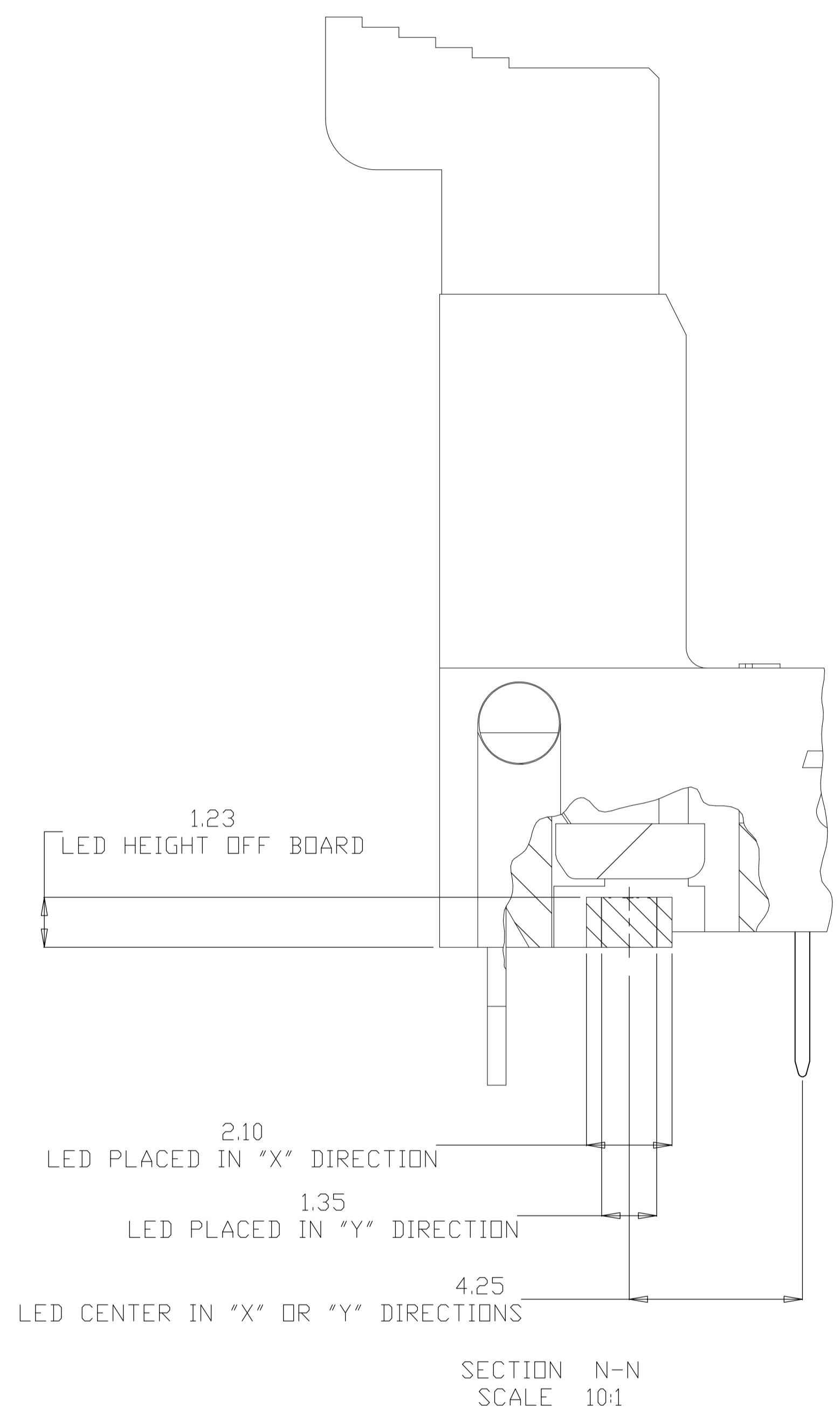
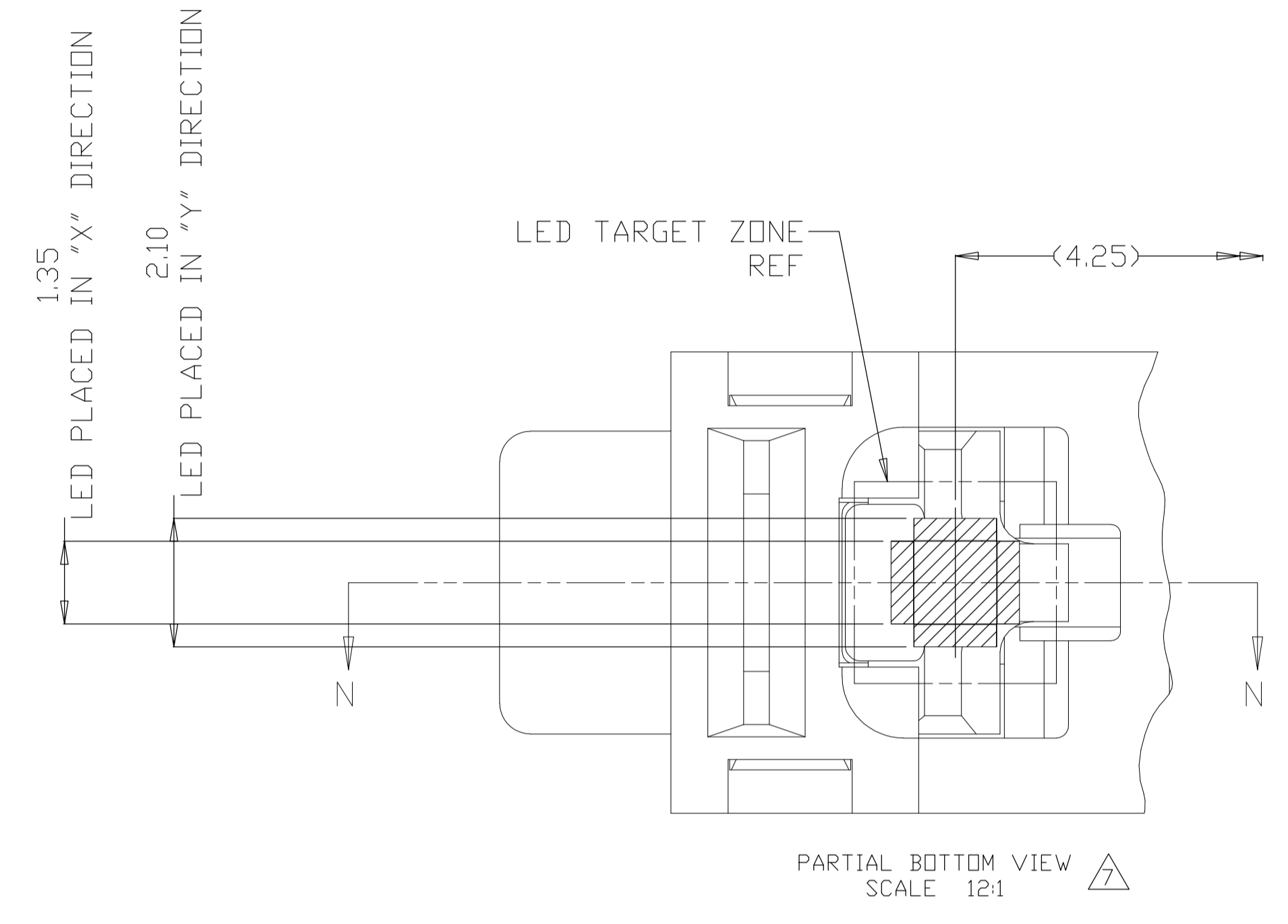
RETENTION BARB TYPE SHOWN ON ALL SHEET UNLESS OTHERWISE NOTED

PLEASE CHECK SHEET 2 FOR PART LIST

- MATERIALS:**
 HOUSING: HIGH TEMPERATURE NYLON, UL94 V-0
 EXTRACTOR: HIGH TEMPERATURE NYLON, UL94 V-0
 CONTACTS: COPPER ALLOY
 RETENTION BARB: BRASS, TIN PLATED
- INTERFACE FINISH:**
 (1) 0.00038 MIN THK GOLD OVER 0.00127 MIN THK NICKEL.
 (2) 0.00008 MIN THK GOLD OVER 0.00127 MIN THK NICKEL.
 (3) 0.00076 MIN THK GOLD OVER 0.00127 MIN THK NICKEL.
 (4) 0.00051 MIN THK GOLD OVER 0.00127 MIN THK NICKEL.
- FINISHED HOLE SIZE:** 0.15 MAXIMUM ANNULAR RING.
- KEEP OUT ZONE:**
 KEEP OUT AREA RESERVED FOR SOCKET EXTRACTORS, BOTH ENDS.
- SOLDERTAIL FINISH:**
 0.00300 MIN THK MATTE TIN OVER 0.00127 MIN THK NICKEL.
- LED LOCATION AS APPLICABLE PER CUSTOMER.**
- DATUM -G- IS CONNECTOR SIDE SURFACE OF PCB.**



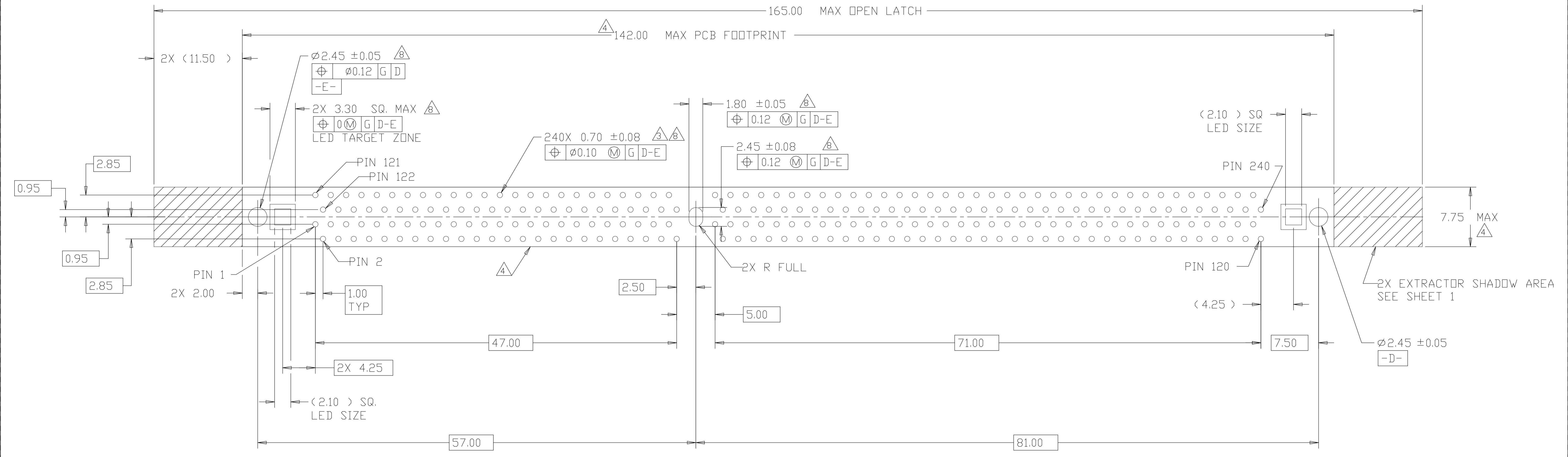
THIS DRAWING IS A CONTROLLED DOCUMENT.		DWN SANDERS YAN 21AUG2007		TE Connectivity	
DIMENSIONS: mm		CHK LEO ZHOU 21AUG2007			
TOLERANCES UNLESS OTHERWISE SPECIFIED:		APVD STEVEN YAO 21AUG2007		NAME SOCKET ASSEMBLY, VERTICAL DDR3 DIMM, SOLDER TAIL, 240 POSITION, LOWER RESISTANCE TYPE	
0. PLC ± -		1. PLC ± 0.5		PRODUCT SPEC 108-60071	
2. PLC ± 0.13		3. PLC ± 0.013		APPLICATION SPEC 114-13154	
4. PLC ± 0.0001		ANGLES ± -		SIZE 114-13154	
MATERIAL		FINISH		WEIGHT	
CUSTOMER DRAWING		SCALE 4:1		SHEET 1 OF 4 REV C8	



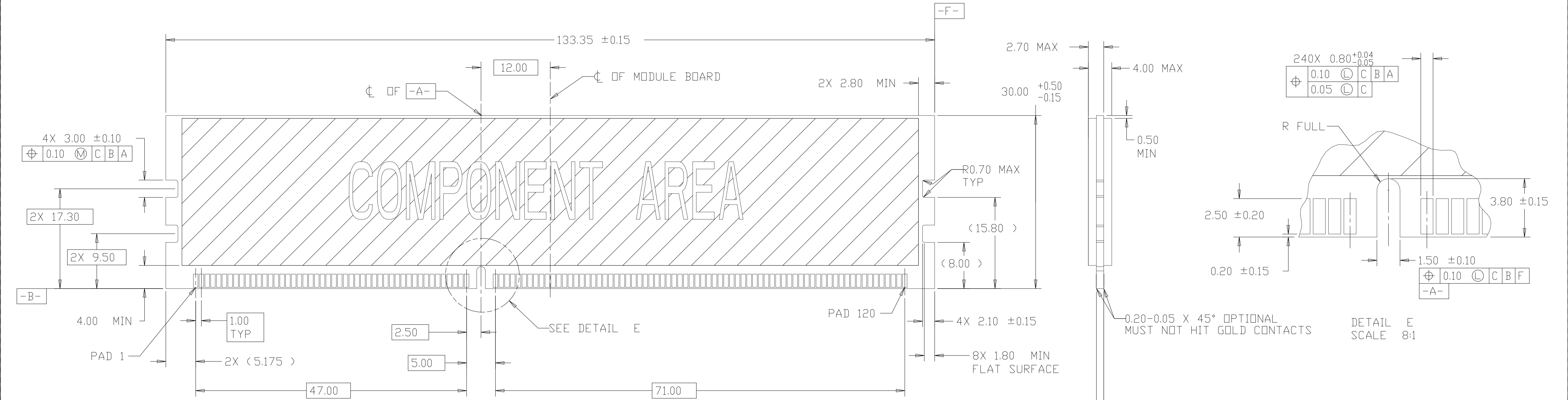
RETENTION BARB	NATURAL	BLUE<2935U>	0.00038 MIN <15u''>	2.67	6-1932031-2
	BLACK	BLACK	0.00051 MIN <20u''>	2.67	6-1932031-1
	NATURAL	BLACK	0.00051 MIN <20u''>	2.67	6-1932031-0
	NATURAL	NATURAL	0.00076 MIN <30u''>	3.18	5-1932031-9
		BLUE<2935U>	0.00038 MIN <15u''>	3.18	5-1932031-8
	BLACK	BLACK	0.00076 MIN <30u''>	4.00	5-1932031-2
				3.18	5-1932031-1
	NATURAL	BLUE<284C>	0.00038 MIN <15u''>	3.18	4-1932031-9
		BLACK		3.18	4-1932031-7
	NATURAL	GREEN<368C>	0.00038 MIN <15u''>	3.18	3-1932031-4
	NATURAL	BLUE<284C>	0.00038 MIN <15u''>	3.18	2-1932031-6
				2.67	2-1932031-5
	BLACK	BLACK	0.00008 MIN <3u''>	2.67	1-1932031-6
				4.00	1-1932031-5
	NATURAL	BLACK	0.00038 MIN <15u''>	4.00	1-1932031-2
3.18				1-1932031-1	
2.67				1-1932031-0	
NATURAL	NATURAL	0.00008 MIN <3u''>	2.67	1932031-7	
			3.18	1932031-5	
NATURAL	NATURAL	0.00038 MIN <15u''>	2.67	1932031-4	
HOUSING STYLE	EXTRACTOR COLOR	HOUSING COLOR	CONTACT GOLD INTERFACE	TAIL LENGTH	PART NUMBER

THIS DRAWING IS A CONTROLLED DOCUMENT.

DIMENSIONS: mm 0. PLC ± - 1. PLC ± 0.5 2. PLC ± 0.13 3. PLC ± 0.013 4. PLC ± 0.0001 ANGLES ± -	TOLERANCES UNLESS OTHERWISE SPECIFIED: 0. PLC ± - 1. PLC ± 0.5 2. PLC ± 0.13 3. PLC ± 0.013 4. PLC ± 0.0001 ANGLES ± -	DMN SANDERS YAN 21AUG2007 CHK LEO ZHOU 21AUG2007 APVD STEVEN YAO 21AUG2007	STE TE Connectivity SOCKET ASSEMBLY, VERTICAL DDR3 DIMM,SOLDER TAIL, 240 POSITION,LOWER RESISTANCE TYPE
MATERIAL - FINISH -		WEIGHT - CUSTOMER DRAWING	SIZE A1 CAGE CODE 114-13154 DRAWING NO. 108-60071 APPLICATION SPEC 114-13154 SCALE 4:1 SHEET 2 OF 4 REV C8

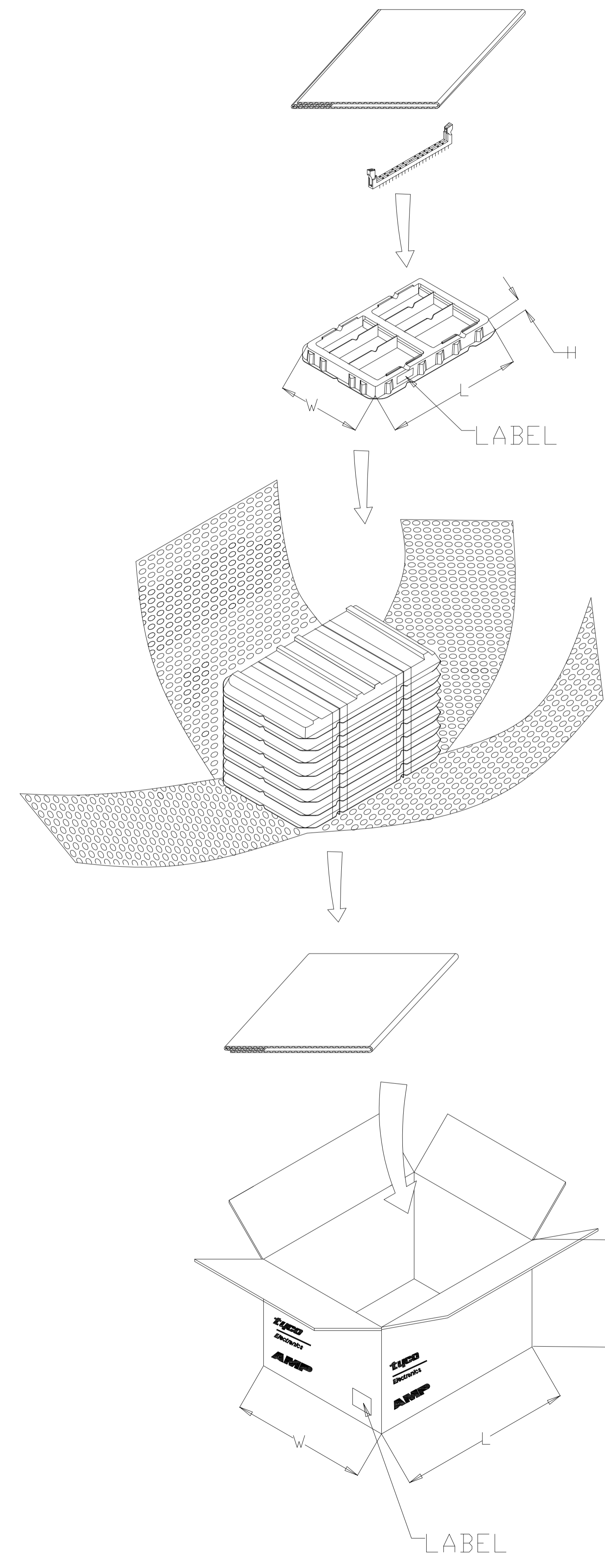


RECOMMENDED PCB LAYOUT VIEWED FROM CONNECTOR SIDE



RECOMMENDED MODULE LAYOUT SCALE 3:1 REFER TO JEDEC MD-269 FOR COMPLETE MODULE DETAILS

THIS DRAWING IS A CONTROLLED DOCUMENT.		DN SANDERS, YAN 21AUG2007	TE Connectivity
		CHK LEO ZHOU 21AUG2007	
		APVD STEVEN YAO 21AUG2007	NAME SOCKET ASSEMBLY, VERTICAL DDR3 DIMM, SOLDER TAIL, 240 POSITION, LOWER RESISTANCE TYPE
		PRODUCT SPEC 108-60071	SIZE CAGE CODE DRAWING NO. RESTRICTED TO
		APPLICATION SPEC 114-13154	A1 00779 ©=1932031
		WEIGHT	SCALE 4:1 SHEET 3 OF 4 REV C8
		CUSTOMER DRAWING	



BOTTOM TRAY

TRAY

CARTON

NOTES:

1. MATERIAL:
 - 1.1 TRAY: PVC
 - 1.2 SHIPPING CARTON : CORRUGATED FIBERBOARD
2. DIMENSION :
 - 2.1 TRAY : L=363, W=255, H=33
 - 2.2 SHIPPING CARTON : L=375, W=265, H=280
3. QUANTITY :
 - 3.1 PRIMARY PACKING : 50 PCS/TRAY
 - 3.2 SECONDARY PACKING : 8 TRAY/CARTON(400PCS)
4. WEIGHT :
 - 4.1 NET WEIGHT : 3.76 KG
 - 4.2 GROSS WEIGHT: 6.00 KG

THIS DRAWING IS A CONTROLLED DOCUMENT.		DSN SANDERS YAN 21AUG2007 CHK LEO ZHOU 21AUG2007 APVD STEVEN YAO 21AUG2007	TE Connectivity	
DIMENSIONS: mm 		PRODUCT SPEC 108-60071 APPLICATION SPEC 114-13154	NAME SOCKET ASSEMBLY, VERTICAL DDR3 DIMM,SOLDER TAIL, 240 POSITION,LOWER RESISTANCE TYPE	
TOLERANCES UNLESS OTHERWISE SPECIFIED: 0. PLC ± - 1. PLC ± 0.50 2. PLC ± 0.13 3. PLC ± 0.013 4. PLC ± 0.0001 ANGLES ± -		SIZE A1	CAGE CODE 00779	DRAWING NO 1932031
MATERIAL - FINISH -		WEIGHT -	RESTRICTED TO -	
CUSTOMER DRAWING		SCALE --	SHEET 4 OF 4	REV C8