

5

4

3

2

1

D

C

B

A

D

C

B

A



Description: BNC 3-Piece Crimp Plug, 50 Ohm, RG174,188, 316

Part No: CPM8819

Application: For Cable RG174, 188, 316

Crimp Tool: 24-9912P

Impedance: 50 Ohms

Frequency Range: 0-4 GHz

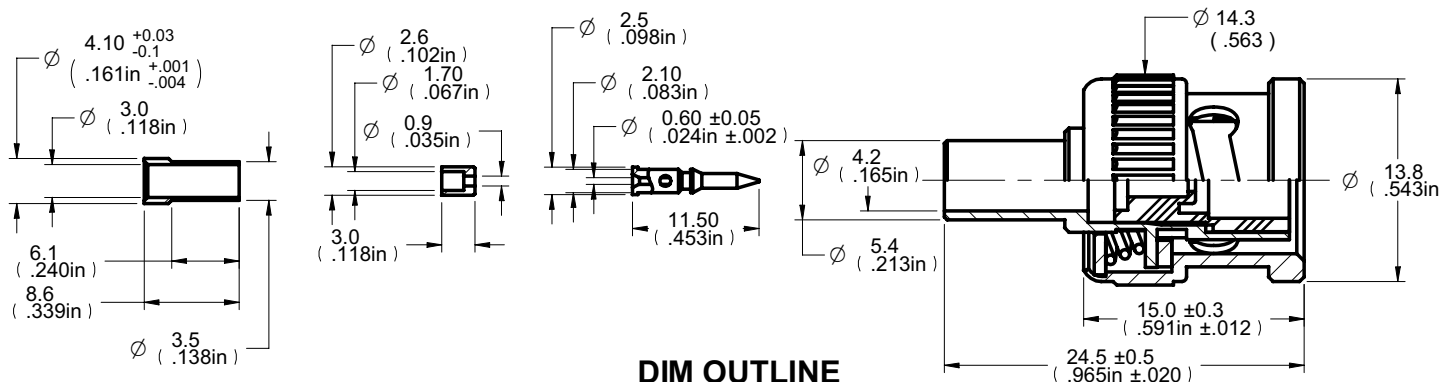
Material:

Body	Zinc	Nickel Plated
Contact	Brass	Gold Plated
Insulator	Pom	
Crimp Sleeve	Brass	Nickel Plated
Coupling Nut	Zinc	Nickel Plated

RoHS Compliance: Yes

Technical Detail: Refer to Emerson Document P/N 27-0000

DRAWING NO.	
CPM8819-CUST	
REVISIONS	
01	OFFICIAL RELEASE
	03-05-09 Z G B Y T
02	FIGURE OF CONTACT AND CRIMP SLEEVE ARE DIFFERENT WITH BEFORE; BODY MATERIAL: WAS: BRASS; IS: ZINC. INSULATOR MATERIAL: WAS: TEFLON; IS: POM.
	03-04-11 J J D
ECO-11-0034	



CUSTOMER COPY

受控 CONTROLLED DOCUMENT					
编号 P/N	CPM8819-CUST	版本 Rev	02	日期 Rel'd Date	Jul11,11

TOLERANCE UNLESS OTHERWISE SPECIFIED	DRAWN BY	DATE
DECIMALS	JEAN.JIN	03-04-11
X	CHECKED BY	DATE
± 0.5	JEAN.JIN	03-04-11
X.X	APPROVED BY	DATE
± 0.1	DONALD	03-04-11
ANGLES	U/M	mm
± 0.5°		



TITLE
BNC 3-Piece Crimp Plug, 50 Ohm, RG174,188, 316

THIS DRAWING WAS PRODUCED BY COMPUTER, DO NOT SCALE DRAWING OR UPDATE MANUALLY.

SHEET	DRAWING NO.	SIZE
1 OF 1	CPM8819-CUST	A

SOLID EDGE RESELLER.COM

5

4

3

2

1