

THIS COPY IS PROVIDED ON A RESTRICTED BASIS AND IS NOT TO BE USED IN ANY WAY DETRIMENTAL TO THE INTERESTS OF PANDUIT CORP.

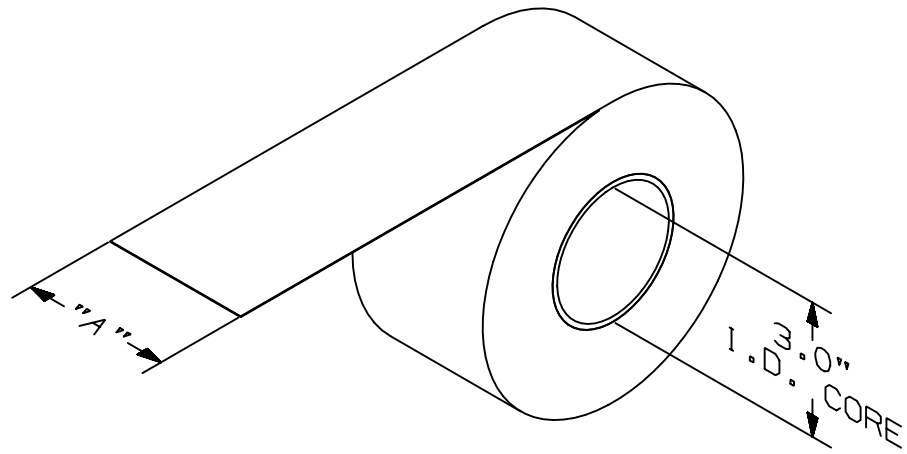


TABLE 1

PART NO.	WIDTH "A"	LENGTH	ST'D. PKG. QTY.	ST'D. CTN. QTY.
T200X000Y2T	2.0 ±.032 [50.8 mm ±.81 mm]	15 FT +3 /-0.0 FT [4.5 M +.91 /-0.0 M]	1	4
T400X000Y2T	4.0 ±.032 [101.6 mm ±.81 mm]	15 FT +3 /-0.0 FT [4.5 M +.91 /-0.0 M]	1	4

CAD FILENAME/LAYERS 100472LP_C10379_TxxxX000Y2T_00.prt

REV	DATE	BY	CHK	DESCRIPTION	ECN	R	CUST	SUP
O	9-13-05	RVU		DRAWING RELEASE	4170	R		
A	9-9-05	RVU	DWY	ENGINEERING RELEASE	0000	R		

<h1>PANDUIT</h1> <p>CORP. TINLEY PARK, ILLINOIS</p>	
<p>CUSTOMER DRAWING PHOTOLUMINESCENT TAPES</p>	
<p>UNLESS OTHERWISE SPECIFIED, DIMENSIONAL TOLERANCES ARE: (.X) ± .1 (.XXX) ± .005 (.XX) ± .01 ANGLES ±</p>	<p>UNLESS OTHERWISE SPECIFIED, ALL DIMENSIONS ARE GIVEN IN INCHES, THIRD ANGLE PROJECTION.</p>
<p>DRAWN BY RVU</p> <p>DATE 9-9-05</p> <p>CHK'D</p>	<p>MAT'L: GMY-GLOW</p> <p>SCALE NTS</p> <p>DRAWING NO. C10379</p> <p>DWG SIZE A</p>