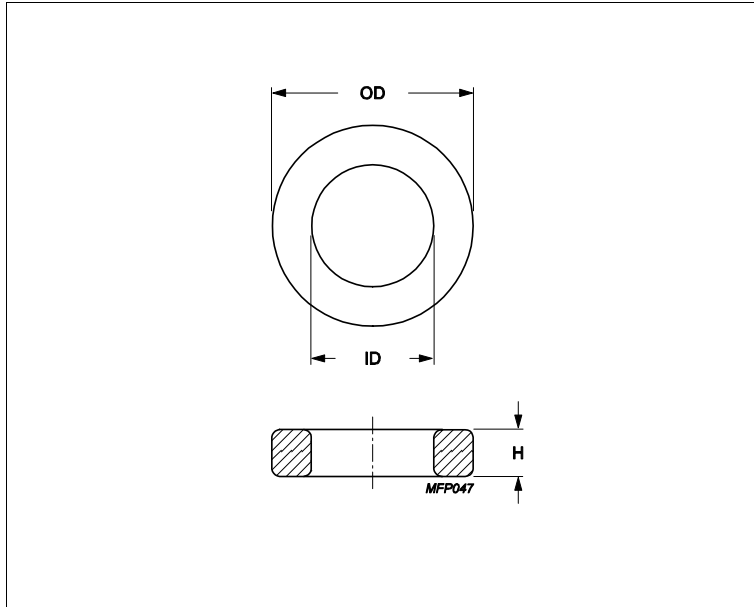


Core **Toroid 25/15/13**



Effective parameters			
	Parameter	Value	Unit
$\Sigma(I/A)$	core factor (C1)	0.97	mm ⁻¹
Ve	effective volume	3740	mm ³
Le	effective length	60.1	mm
Ae	effective area	62.1	mm ²
m	mass of core	≈ 19	g/pcs

Epoxy coating DC isolation voltage 2000.

Maximum operating temperature of the coating is 200°C.

Dimensions (mm)

Cores	OD	ID	H	
TX25/15/13	25.95 max	14.15 min	13.7 max	Epoxy Coated

Core data

Cores	Material	Al (nH/turns ²)	Al tolerance	μe
TX25/15/13	3C94	3070	± 25%	≈ 2300
TX25/15/13	3E10	13400	± 20%	≈ 10000
TX25/15/13	3E12	16000	± 30%	≈ 12000
TX25/15/13	3E27	7350	± 25%	≈ 5500
TX25/15/13	3E6 (3E10-M)	13400	± 30%	≈ 10000
TX25/15/13	3E65	6950	± 25%	≈ 5200