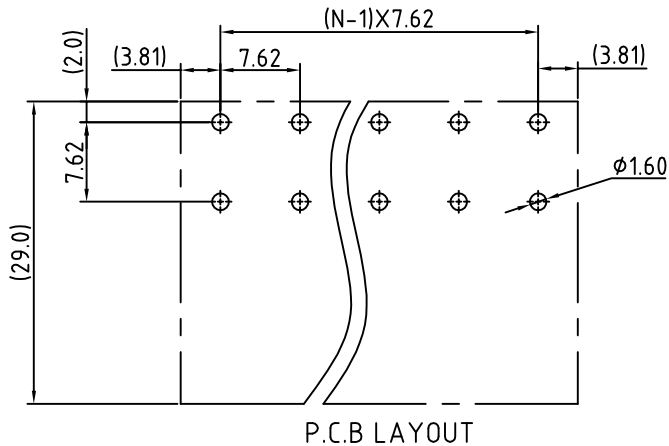
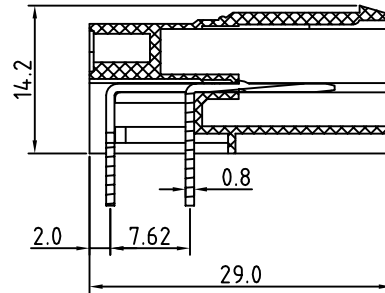
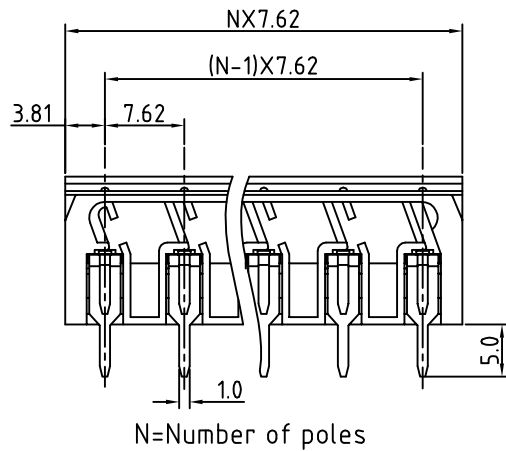
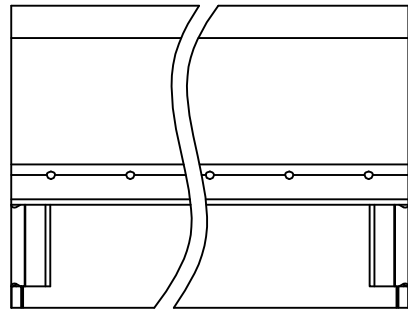


SIGN	DATE	DESCRIPTION	APPROVER
THIS IS CAD DRAWING, DO NOT REVISE MANUALLY!!!			



Material

- Contact pin: Brass
  - Surface of solder tail: Tin plated
  - Insulator (housing): Thermoplastic (UL94V-0)
- Electrical cULus
- Voltage rating: 300V
  - Current rating: 32A
  - Withstanding Voltage: 1.6KV
  - Operating temperature: -30°C to +105°C
  - Soldering temperature: 250°C±10°C/5 Sec
  - Safety Approval: US
- RoHS Compliant

PART NUMBER:

OSTVCXX0050

No. of Poles  
 02: 2 Poles  
 :  
 :  
 16: 16 Poles

COLOR  
 0: Black  
 5: Green (Standard)  
 6: Blue  
 8: Grey

THESE DRAWINGS AND SPECIFICATIONS ARE THE PROPERTY OF ON-SHORE TECHNOLOGY, INC. AND SHALL NOT BE REPRODUCED, COPIED OR USED IN ANY MANNER WITHOUT THE PRIOR WRITTEN CONSENT OF ON-SHORE TECHNOLOGY, INC.



TITLE		OSTVC 7.62mm Series 2p-16p				
PART NO.	OSTVCXX0050	DWG NO.	OSTVCXX0050.DWG			
APPROVED	CHECKED	DESIGNED	DRAWN	CUST NO.	Tolerance	
Shi Jun 2006.10.25	Marvin 2006.10.25	Marvin 2006.10.25	Marvin 2006.10.25		X. ±0.50 X.X ±0.30 X.XX ±0.10 X° ±1°	
				SHEET: 01/01	REV.: D	