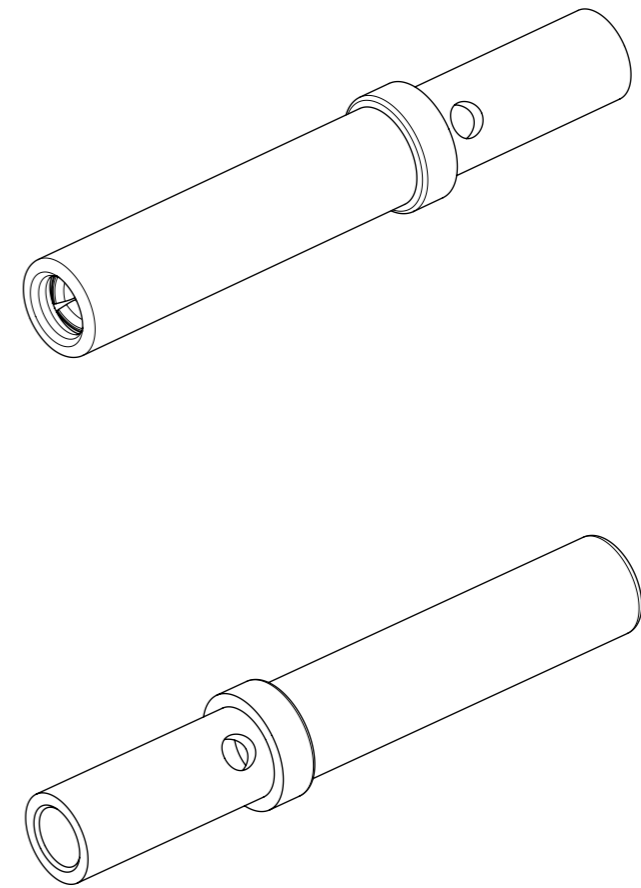
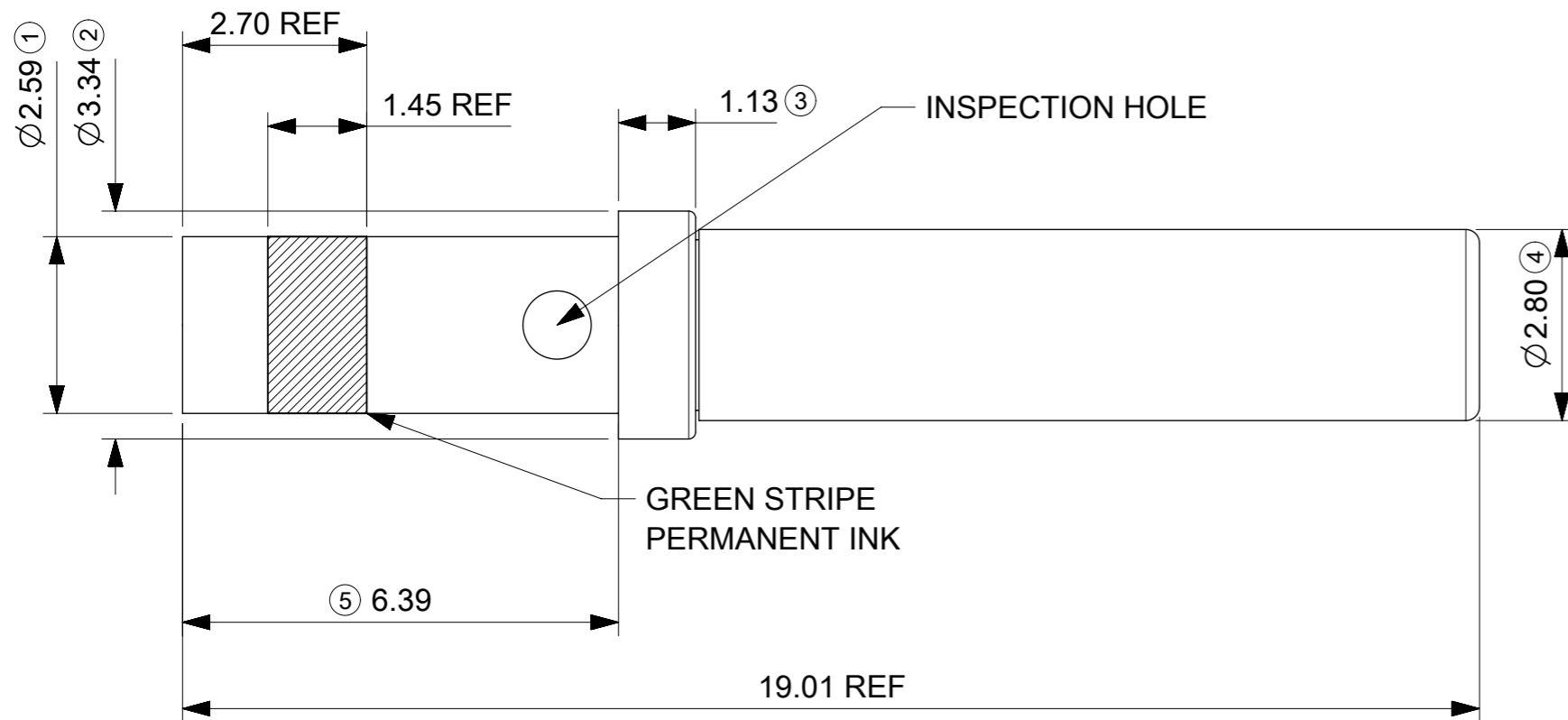


PART NUMBER	DESCRIPTION	GREEN STRIPE	PLATING OPTION
936410022	14AWG	YES	1
936410024	14AWG	YES	2
936410012	16-20AWG	NO	1
936410014	16-20AWG	NO	2



- NOTES:
- MATERIAL
COPPER ALLOY TERMINAL
STAINLESS STEEL HOOD
 - FINISH
OPTION 1: NICKEL ALLOVER
OPTION 2: GOLD OVER NICKEL ALLOVER
 - REFER TO 936400010 PSK FOR PACKAGING INFORMATION.
 - REFER TO 936400010 PSP FOR PRODUCT SPECIFICATION.
 - CRIMP TOOL DATA:
PLEASE CONTACT MOLEX PERSONNEL.
 - REFER TO 934430010 PSA FOR CRIMPING INFORMATION.
 - TERMINALS ARE RoHS & REACH COMPLIANT.
 - LAST INSPECTION No. 5

SYMBOLS	THIS DRAWING CONTAINS INFORMATION THAT IS PROPRIETARY TO MOLEX ELECTRONIC TECHNOLOGIES, LLC AND SHOULD NOT BE USED WITHOUT WRITTEN PERMISSION	
DIMENSION UNITS	SCALE	CURRENT REV DESC: SEE LONG TEXT
▽ = 0	mm	5:1
▽ = 0	GENERAL TOLERANCES (UNLESS SPECIFIED)	
▽ = 0	ANGULAR TOL ± °	
▽ = 0	4 PLACES ±	EC NO: 172329
▽ = 0	3 PLACES ±	DRWN: JFLETCHER 2018/02/20
▽ = 0	2 PLACES ± 0.1	CHK'D: JDWALLACE 2018/03/02
▽ = 0	1 PLACE ± 0.2	APPR: IOCONNELL 2018/03/09
▽ = 0	0 PLACES ±	INITIAL REVISION:
▽ = 0	DRAFT WHERE APPLICABLE MUST REMAIN WITHIN DIMENSIONS	
▽ = 0	THIRD ANGLE PROJECTION	DRAWING
▽ = 0	A3-SIZE	SERIES
▽ = 0	93640	MATERIAL NUMBER
▽ = 0	SEE CHART	CUSTOMER
▽ = 0	GENERAL MARKET	SHEET NUMBER
▽ = 0	1 OF 1	