

LOC	DIST	REVISIONS					
		P	LTN	DESCRIPTION	DATE	DWN	APVD
GP	00	A		PRODUCTION RELEASE	03FEB2016	JW	SH

1 MATERIAL:
 CAGE - 0.25mm THICK NICKEL SILVER ALLOY
 HEATSINK - ALUMINUM
 HEATSINK CLIP - STAINLESS STEEL
 EMI SPRING(S) - COPPER ALLOY

2 FINISH:
 HEATSINK - ELECTROLESS NICKEL
 HEATSINK CLIP - PASSIVATE
 EMI SPRING(S) - 0.8um MIN MATTE TIN OVER 0.8um MIN NICKEL,
 NON-PLATED EDGES PERMISSIBLE.

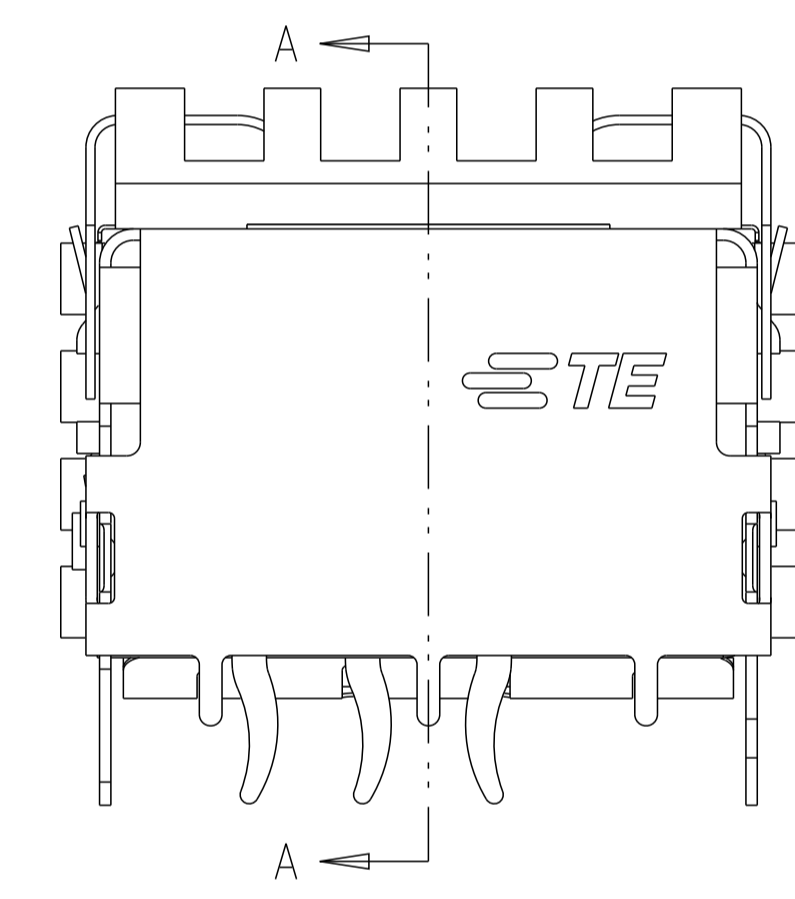
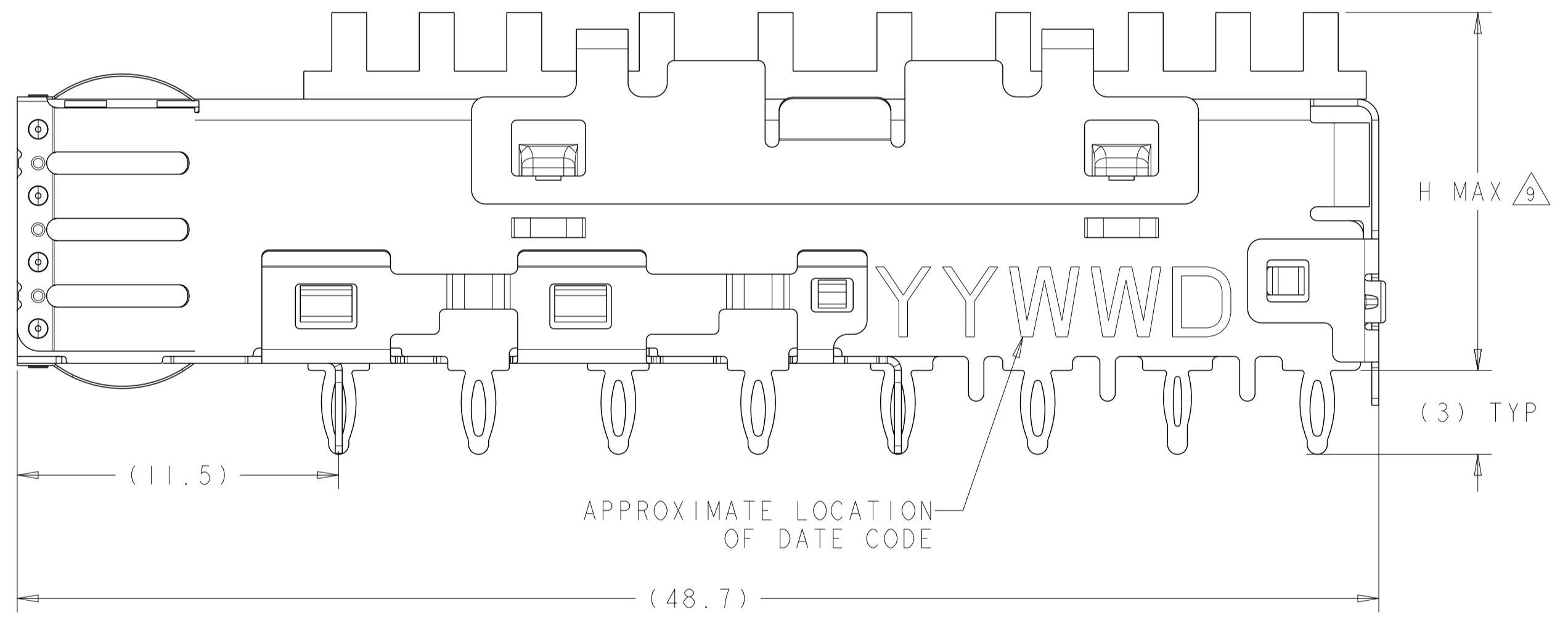
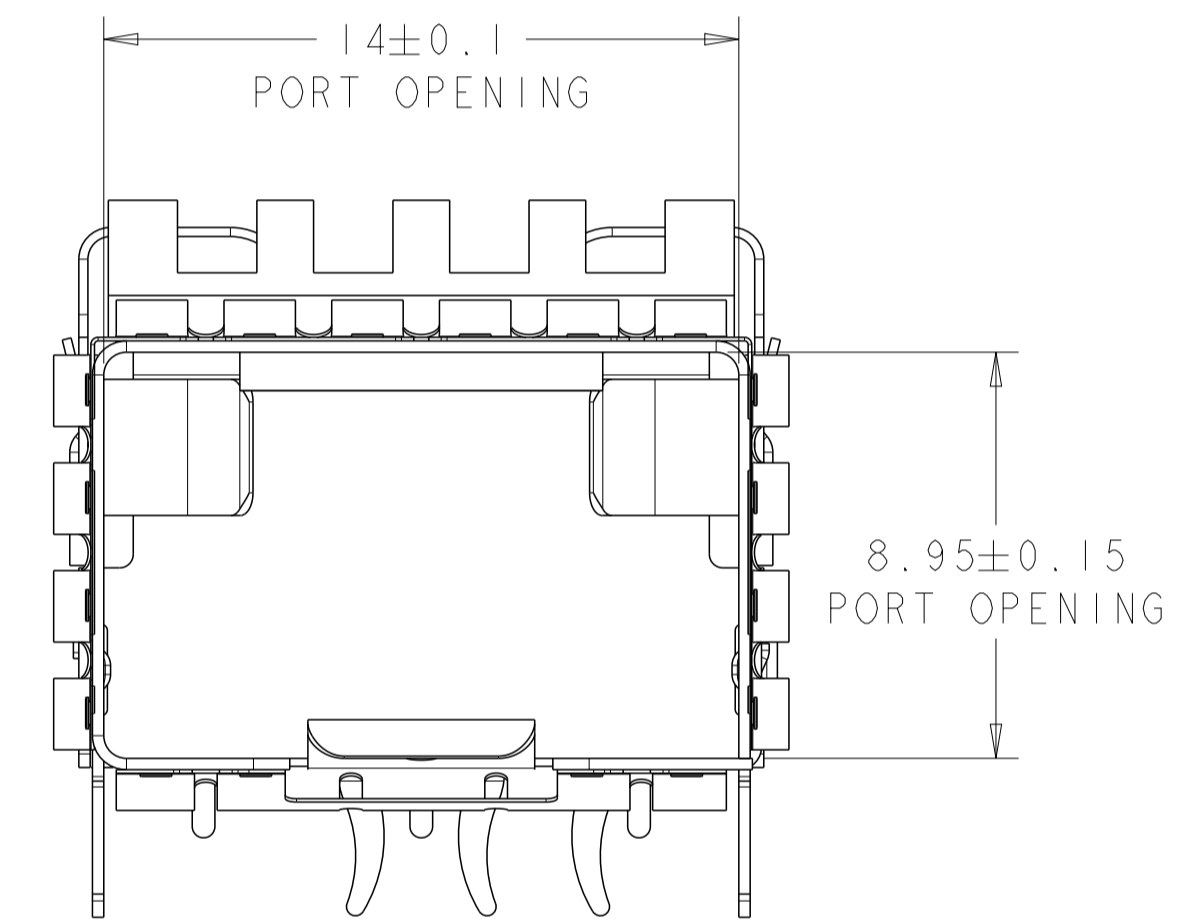
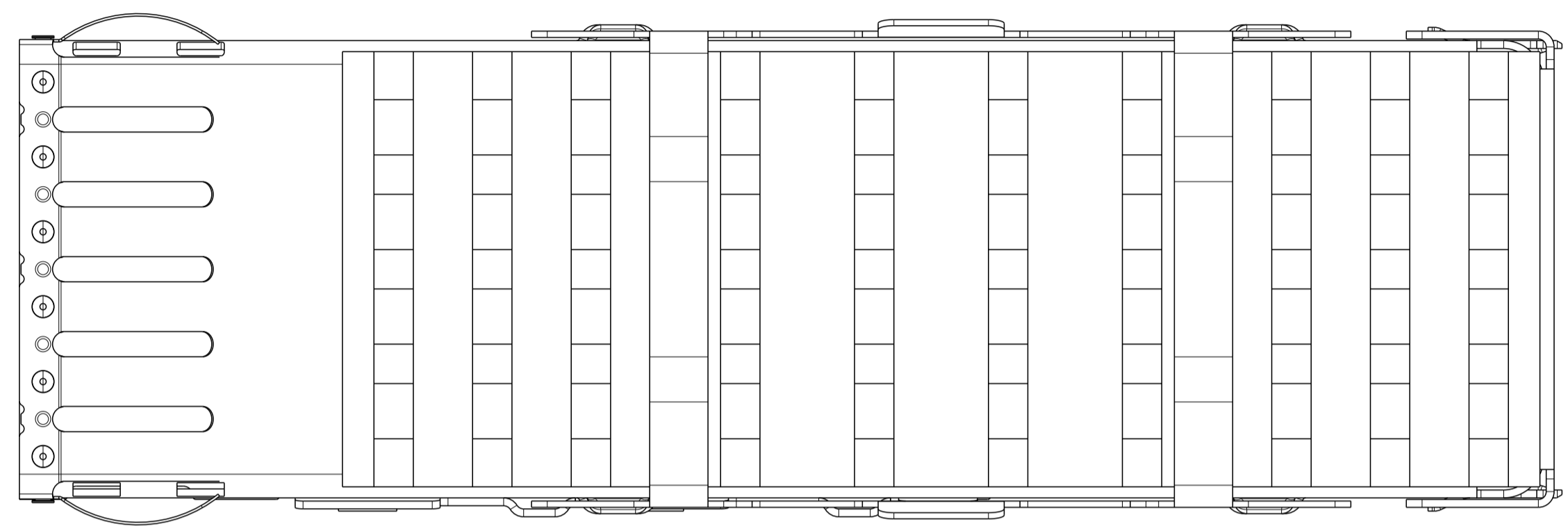
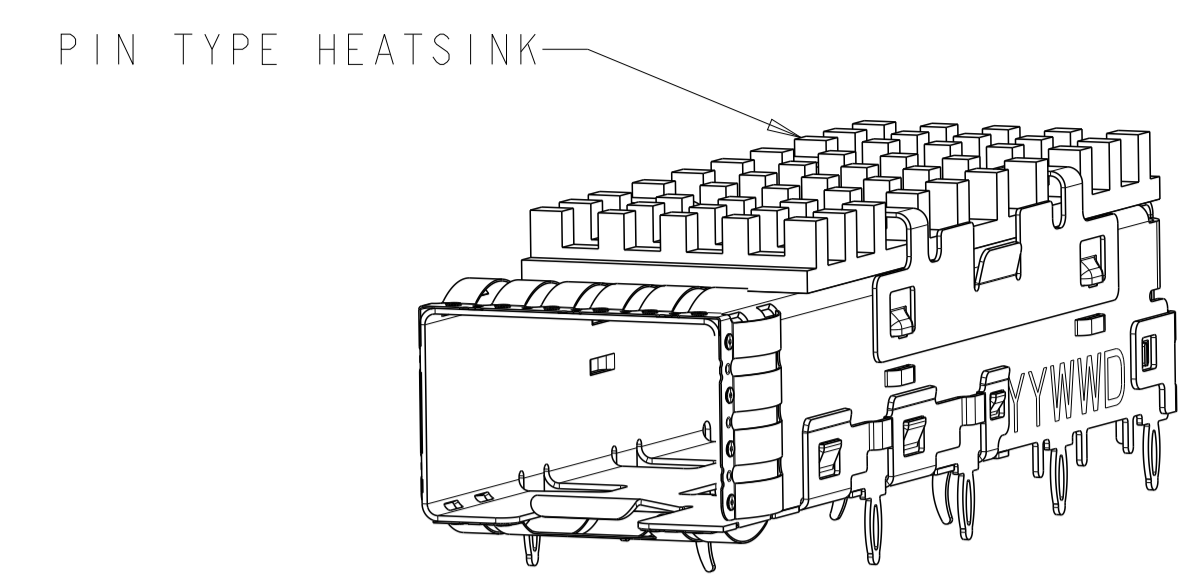
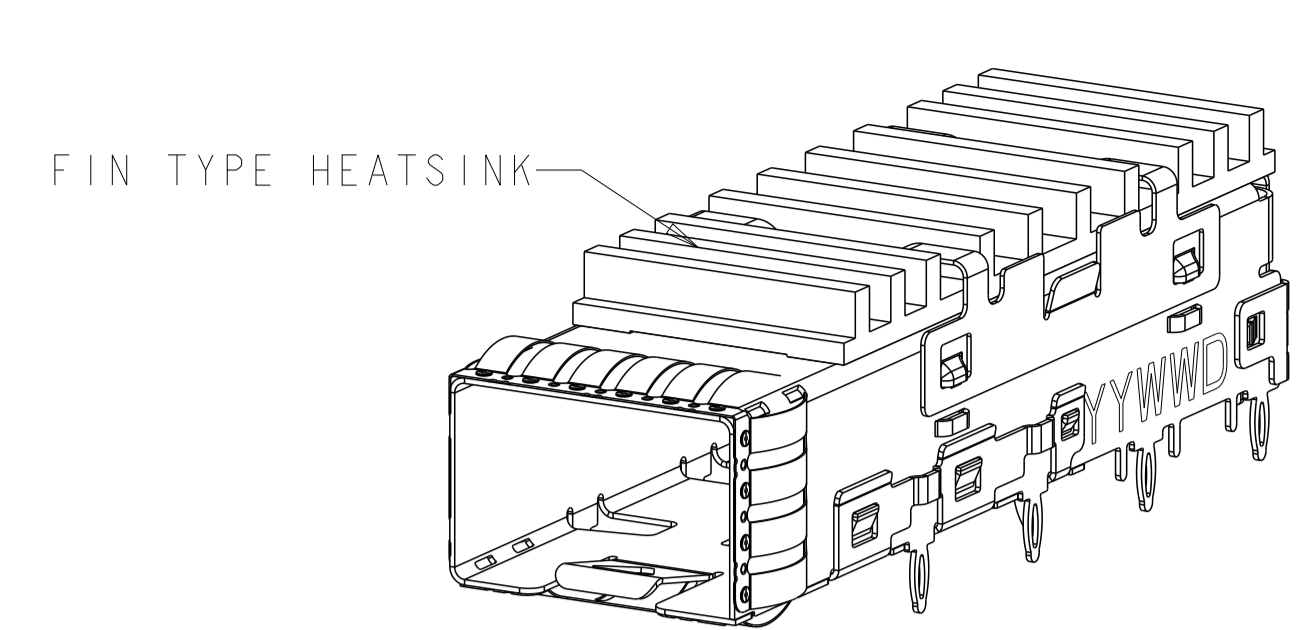
3. MATES WITH SFP MSA COMPLIANT TRANSCEIVERS.

4 PADS AND VIAS CHASSIS GROUND.

5 DATUM AND BASIC DIMENSION ESTABLISHED BY CUSTOMER.

6. MINIMUM PC BOARD THICKNESS:
 SINGLE SIDED = 1.50mm
 DOUBLE SIDED = 3.00mm

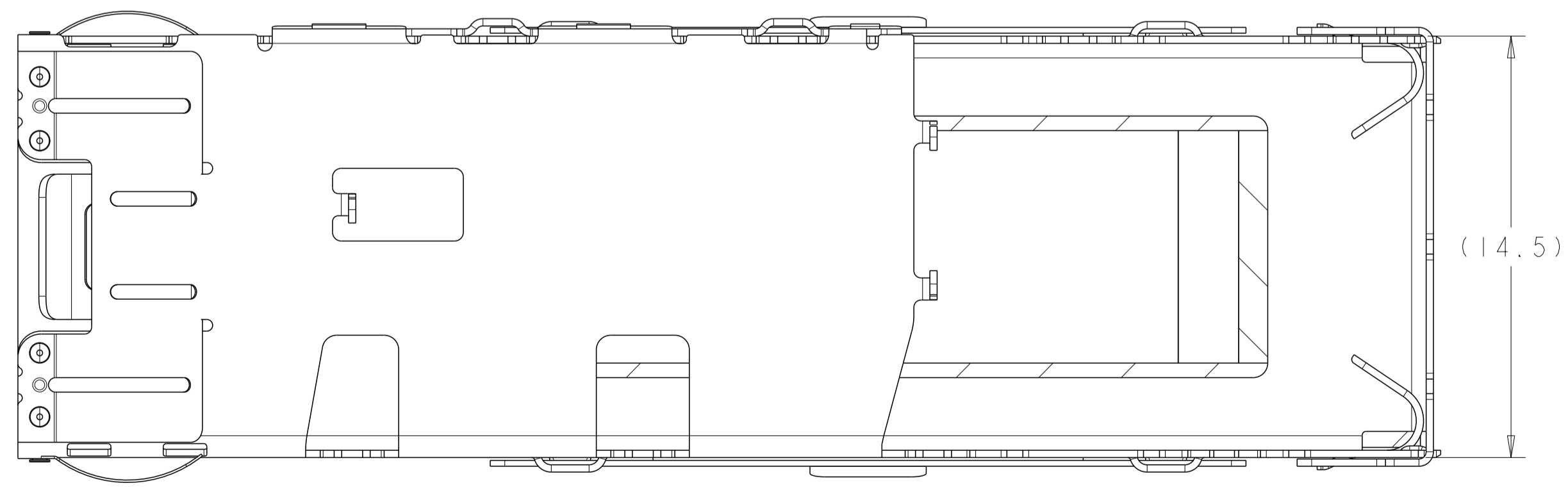
7 REFERENCE APPLICATION SPEC. 114-13120, HOLE A, FOR
 RECOMMENDED DRILL HOLE DIAMETER AND PLATING THICKNESS.



8 REFERENCE APPLICATION SPEC. 114-13120, HOLE C, FOR
 RECOMMENDED DRILL HOLE DIAMETER AND PLATING THICKNESS.

9 DIMENSION APPLIES PRIOR TO INSERTION OF SFP MODULE.

10. CAGE ASSEMBLY, HEATSINK CLIP AND HEATSINK SHIPPED
 ASSEMBLED.

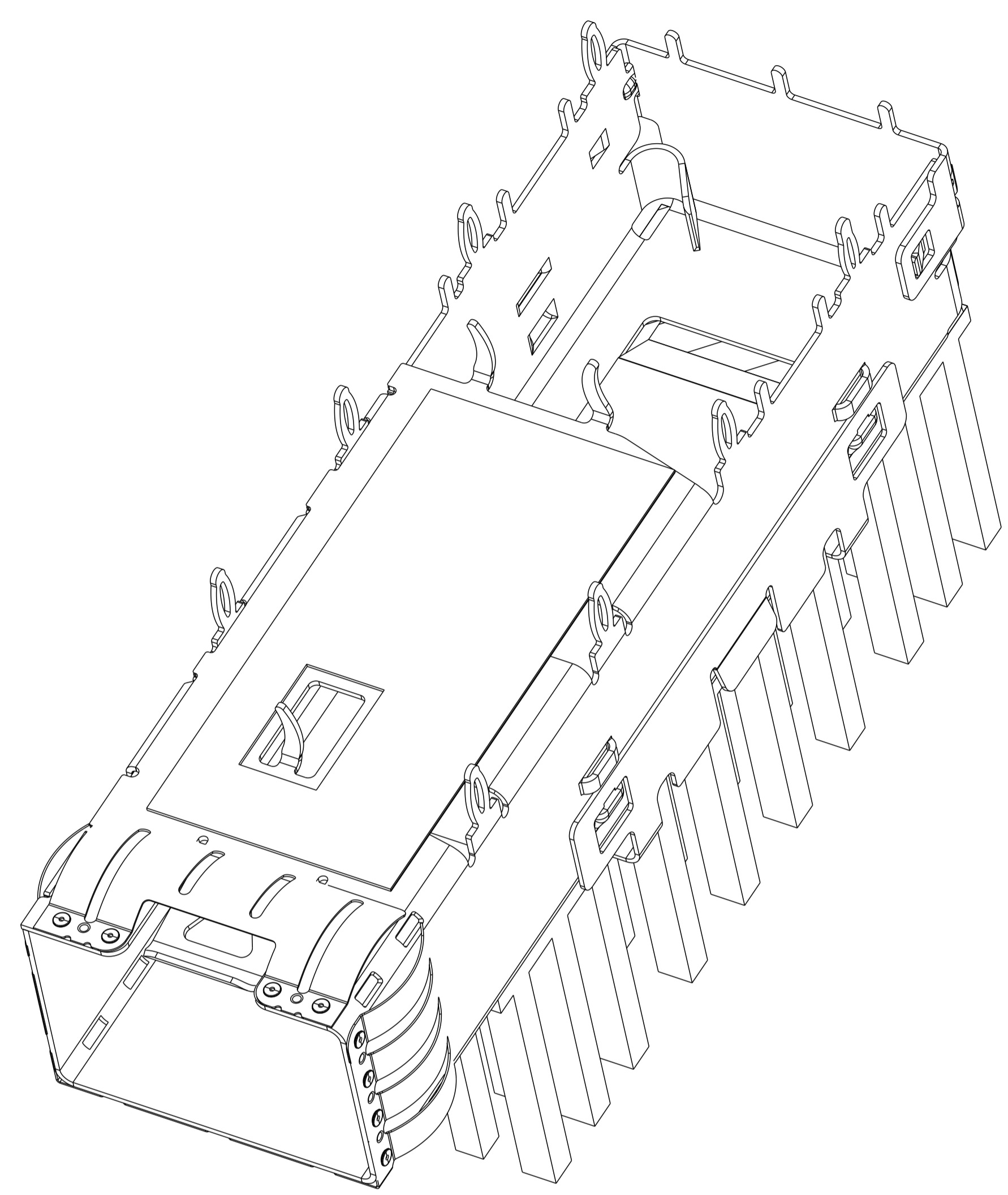


WITHOUT	WITH	WITHOUT	WITH	WITHOUT	WITH	WITHOUT	WITH	WITHOUT	WITH	WITHOUT	WITH	WITHOUT	WITH	WITHOUT	WITH	WITHOUT	WITH	WITHOUT	WITH
13.5	22.8	22.8	22.8	15.8	22.8	13.5	22.8	15.8	22.8	13.5	22.8	15.8	22.8	13.5	22.8	13.5	22.8	13.5	22.8
15° REF	30° REF	30° REF	30° REF	30° REF	30° REF	30° REF	30° REF	30° REF	30° REF	30° REF	30° REF	30° REF	30° REF	30° REF	30° REF	30° REF	30° REF	30° REF	30° REF
PIN TYPE	FIN TYPE	FIN TYPE	FIN TYPE	FIN TYPE	PIN TYPE	FIN TYPE	PIN TYPE	PIN TYPE	PIN TYPE	PIN TYPE	PIN TYPE	PIN TYPE	PIN TYPE	PIN TYPE	PIN TYPE	PIN TYPE	PIN TYPE	PIN TYPE	PIN TYPE
2291634-9	2291634-8	2291634-7	2291634-6	2291634-5	2291634-4	2291634-3	2291634-2	2291634-1											
INSULATING TAPE H MAX													DIM A		HEAT SINK TYPE		PART NUMBER		

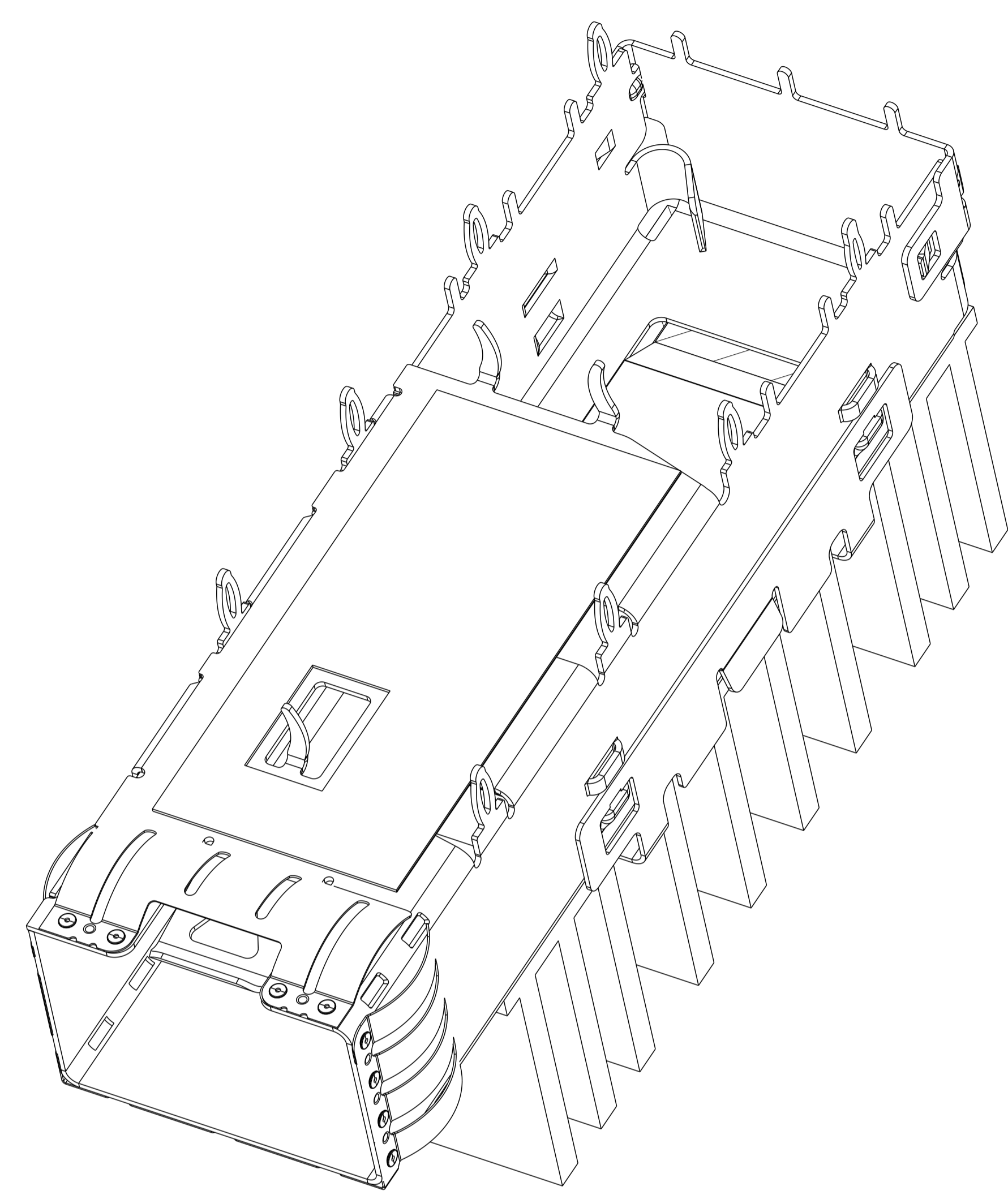
THIS DRAWING IS A CONTROLLED DOCUMENT.

DIMENSIONS:	TOLERANCES UNLESS OTHERWISE SPECIFIED:	CHK PETER PAN 17MAR2015	TE Connectivity NAME SFP+ 1X1 CAGE ASSEMBLY, PRESS-FIT PRESS-FIT, EMI SPRINGS WITH HEATSINK PRODUCT SPEC 108-2364 APPLICATION SPEC 114-13120 WEIGHT CUSTOMER DRAWING
mm	0 PLC ±0.1 1 PLC ±0.1 2 PLC ±0.1 3 PLC ±0.05 4 PLC ±0.05 ANGLES ±0.05	APPD SEAN HAN 17MAR2015	
MATERIAL	FINISH	SIZE CAGE CODE DRAWING NO A 00779 C=2291634	
SCALE 2 SHEET 1 OF 4 REV A			

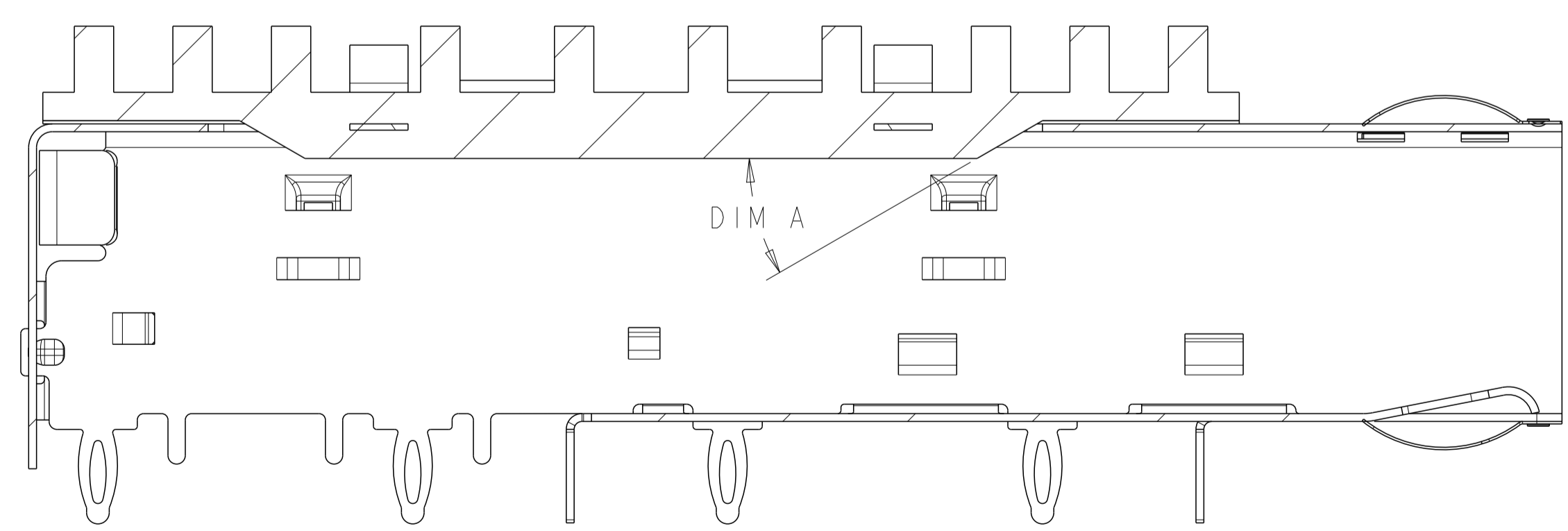
LOC	DIST	REVISIONS					
GP	00	P	LTN	DESCRIPTION	DATE	DMN	APVD
-	-	-	-	SEE SHEET 1	-	-	-




2291634-4 AS SHOWN WITH INSULATING TAPE, PIN TYPE HEAT SINK
 2291634-1, 2, 3, 9 WITHOUT INSULATING TAPE, TAPE, PIN TYPE HEAT SINK



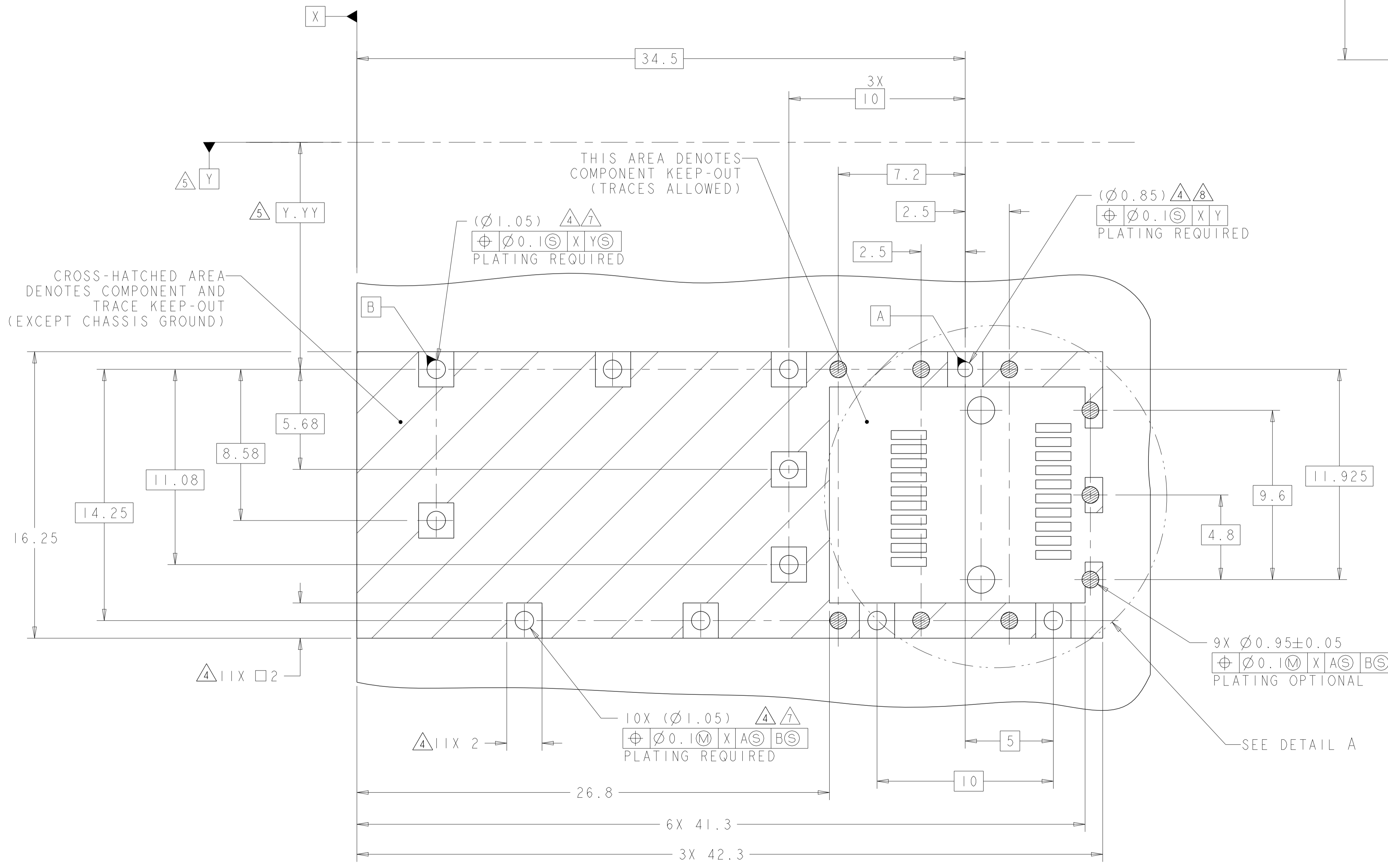
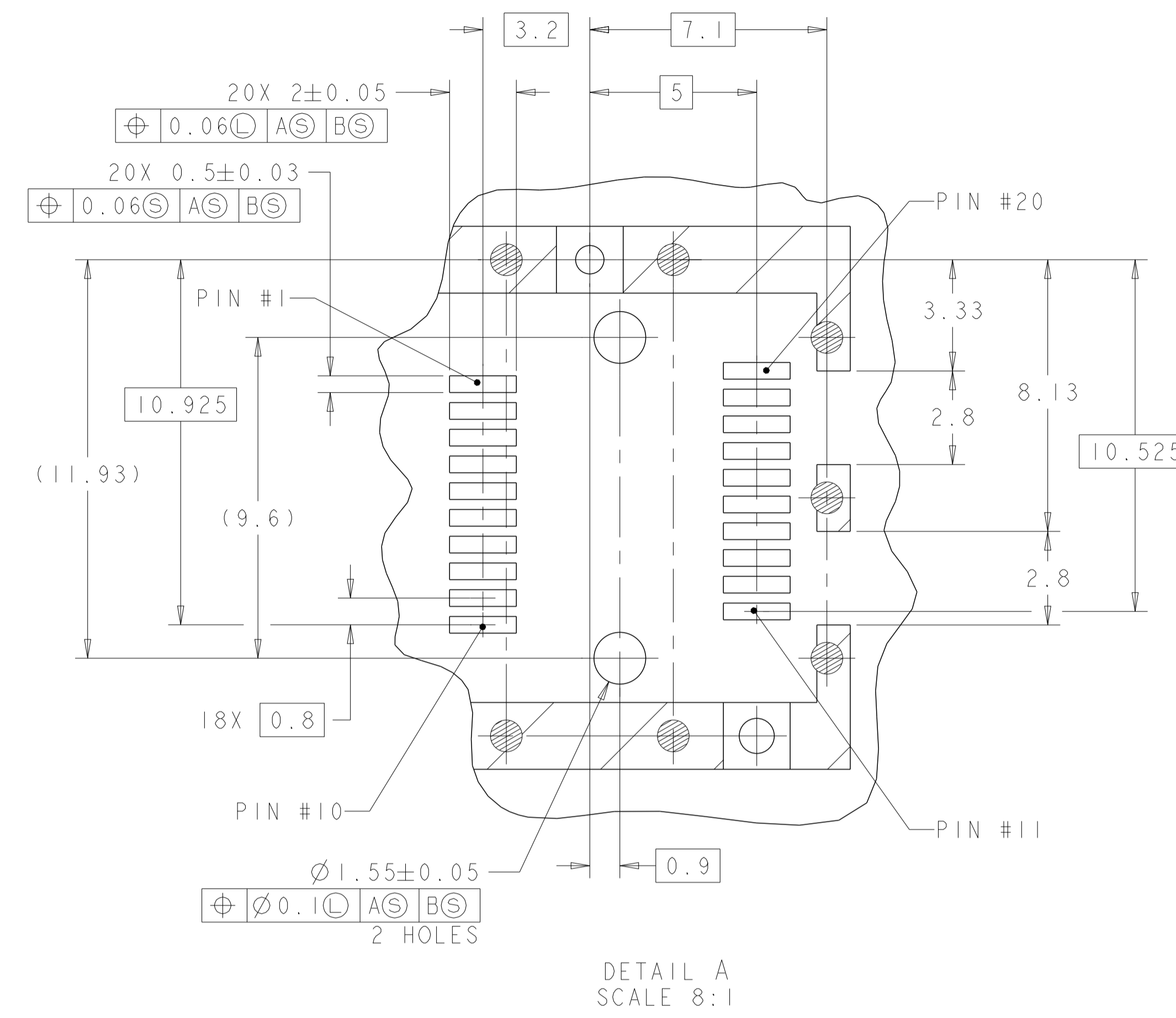
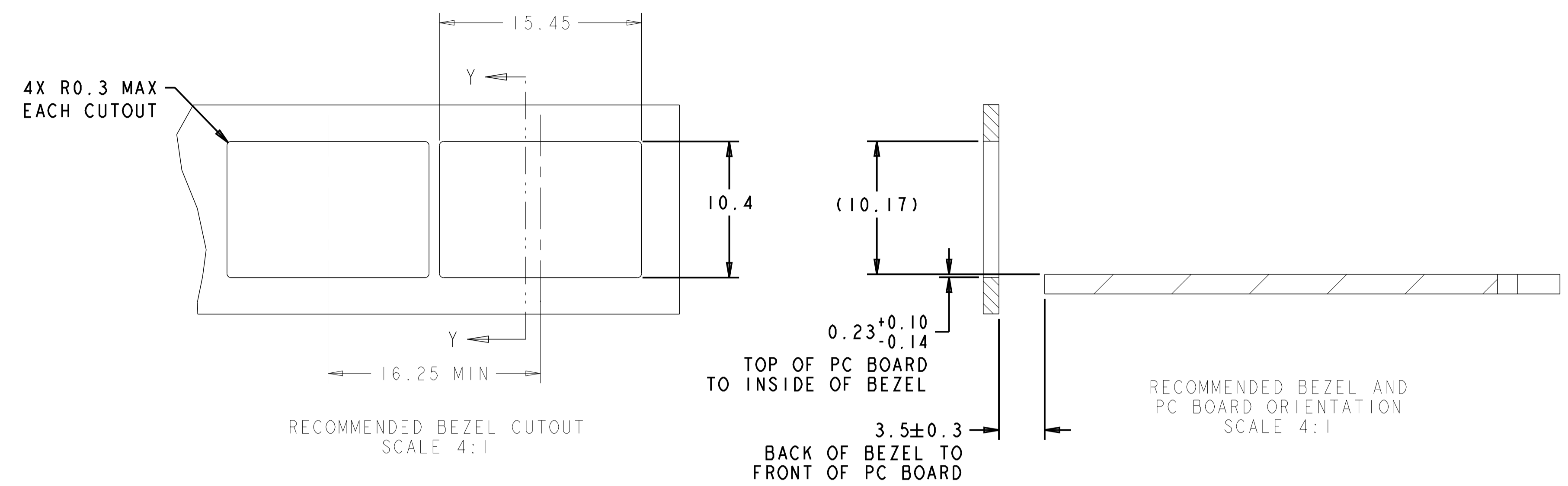
2291634-8 AS SHOWN WITH INSULATING TAPE, WITH FIN TYPE HEAT SINK
 2291634-5, 6, 7 WITHOUT INSULATING TAPE, WITH FIN TYPE HEAT SINK



SECTION A-A

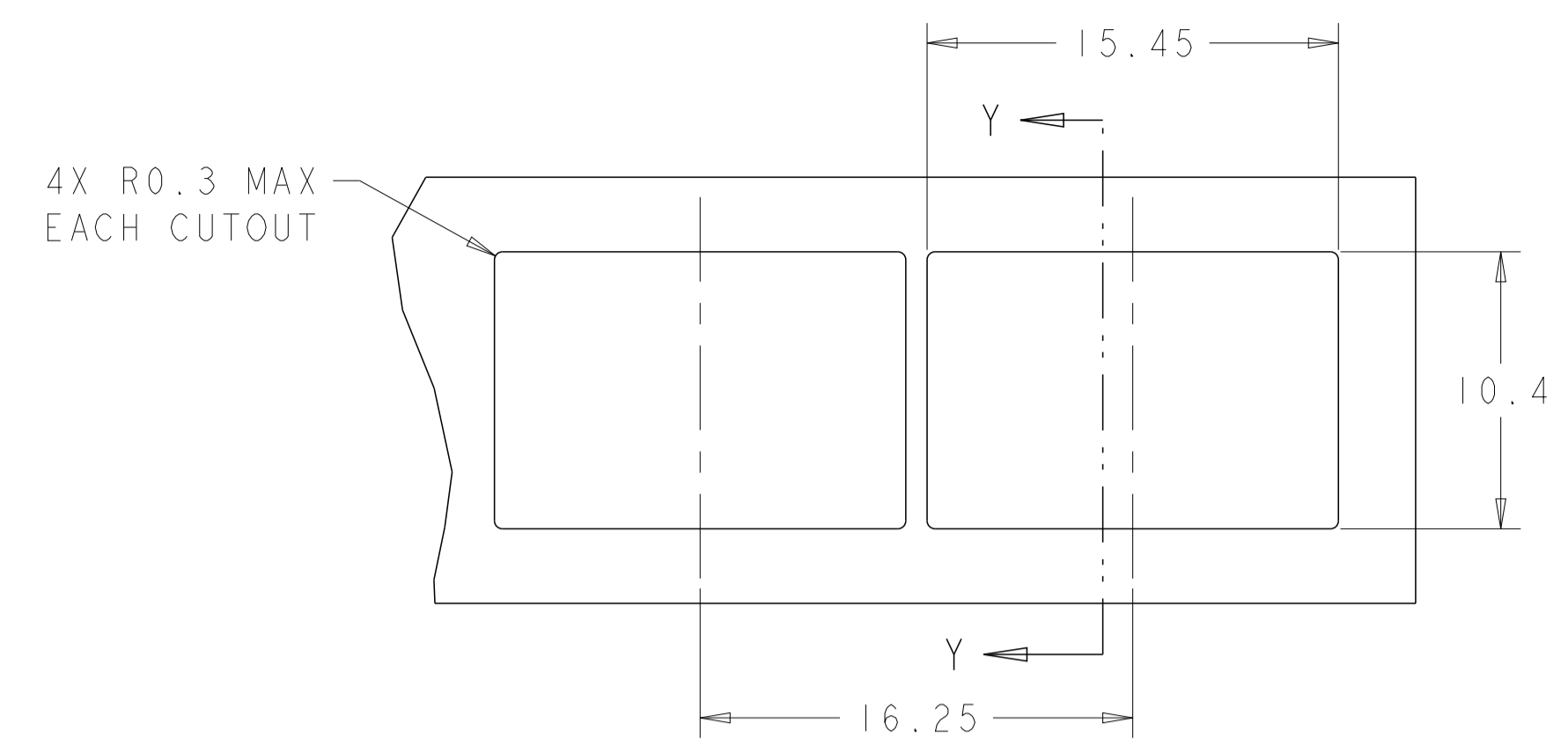
THIS DRAWING IS A CONTROLLED DOCUMENT.		DMN: PETER PAN 17MAR2015	 TE Connectivity NAME: SFP+ IXI CAGE ASSEMBLY, PRESS-FIT PRESS-FIT, EMI SPRINGS WITH HEATSINK
DIMENSIONS: mm		CHK: SEAN HAN 17MAR2015	
TOLERANCES UNLESS OTHERWISE SPECIFIED:		APVD: SEAN HAN 17MAR2015	
0 PLC ±0.1 1 PLC ±0.1 2 PLC ±0.1 3 PLC ±0.05 4 PLC ±0.05 ANGLES ±0.05 FINISH		PRODUCT SPEC: 108-2364 APPLICATION SPEC: 114-13120 WEIGHT: - CUSTOMER DRAWING	
MATERIAL:		SIZE: A	CAGE CODE: 00779 DRAWING NO: C=2291634 RESTRICTED TO: - SCALE: 2 SHEET 2 OF 4 REV A

LOC	DIST	REVISIONS			
GP	00	REV	DATE	BY	APPD
		1	SEE SHEET 1		

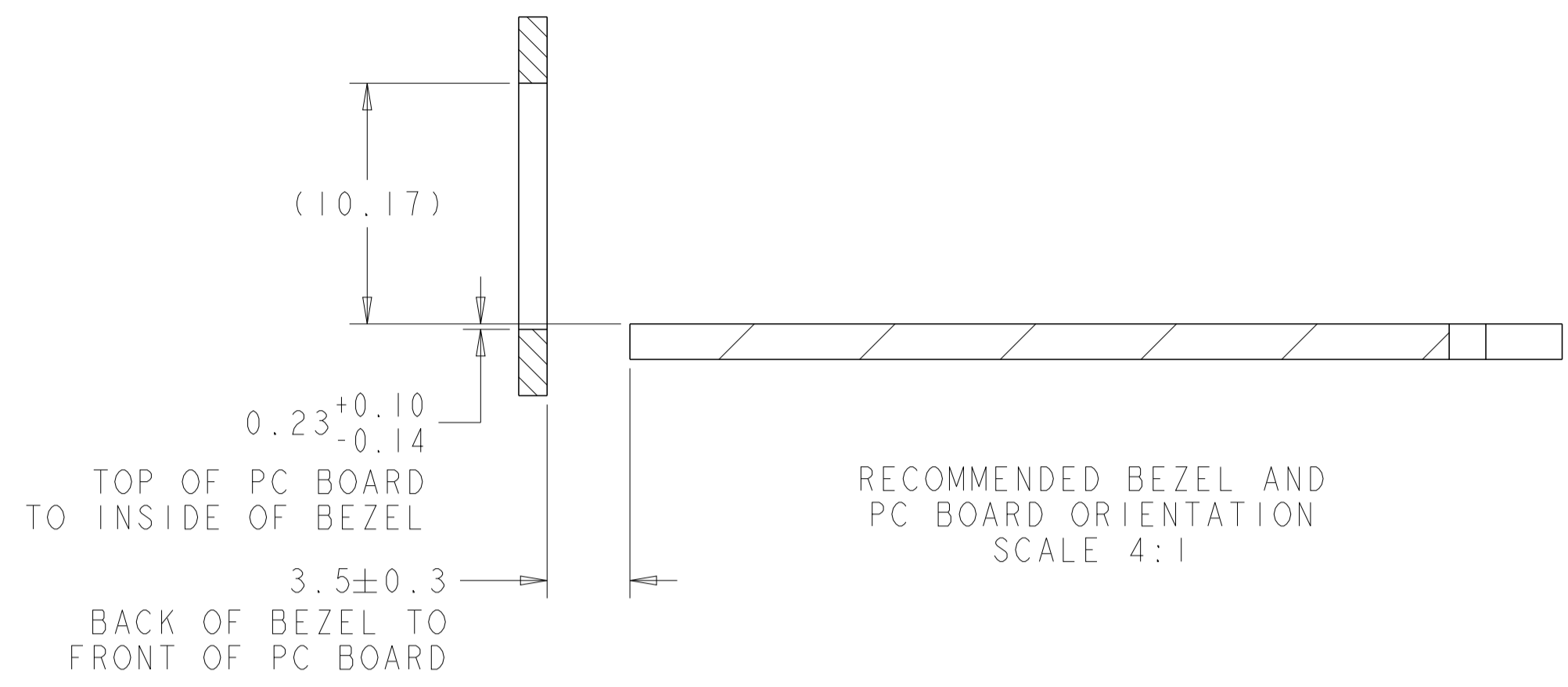


THIS DRAWING IS A CONTROLLED DOCUMENT.		OWN: PETER PAN 17MAR2015	 TE Connectivity
DIMENSIONS: mm		CHK: SEAN HAN 17MAR2015	
TOLERANCES UNLESS OTHERWISE SPECIFIED:		APPD: SEAN HAN 17MAR2015	
0 PLC ±0.1 1 PLC ±0.1 2 PLC ±0.1 3 PLC ±0.05 4 PLC ±0.05 ANGLES ±0.05		NAME: SFP+ IXI CAGE ASSEMBLY, PRESS-FIT PRESS-FIT, EMI SPRINGS WITH HEATSINK PRODUCT SPEC: 108-2364 APPLICATION SPEC: 114-13120 WEIGHT: -	
MATERIAL:	FINISH:	SCALE: 2	RESTRICTED TO: -
CUSTOMER DRAWING		SIZE: A	REV: A

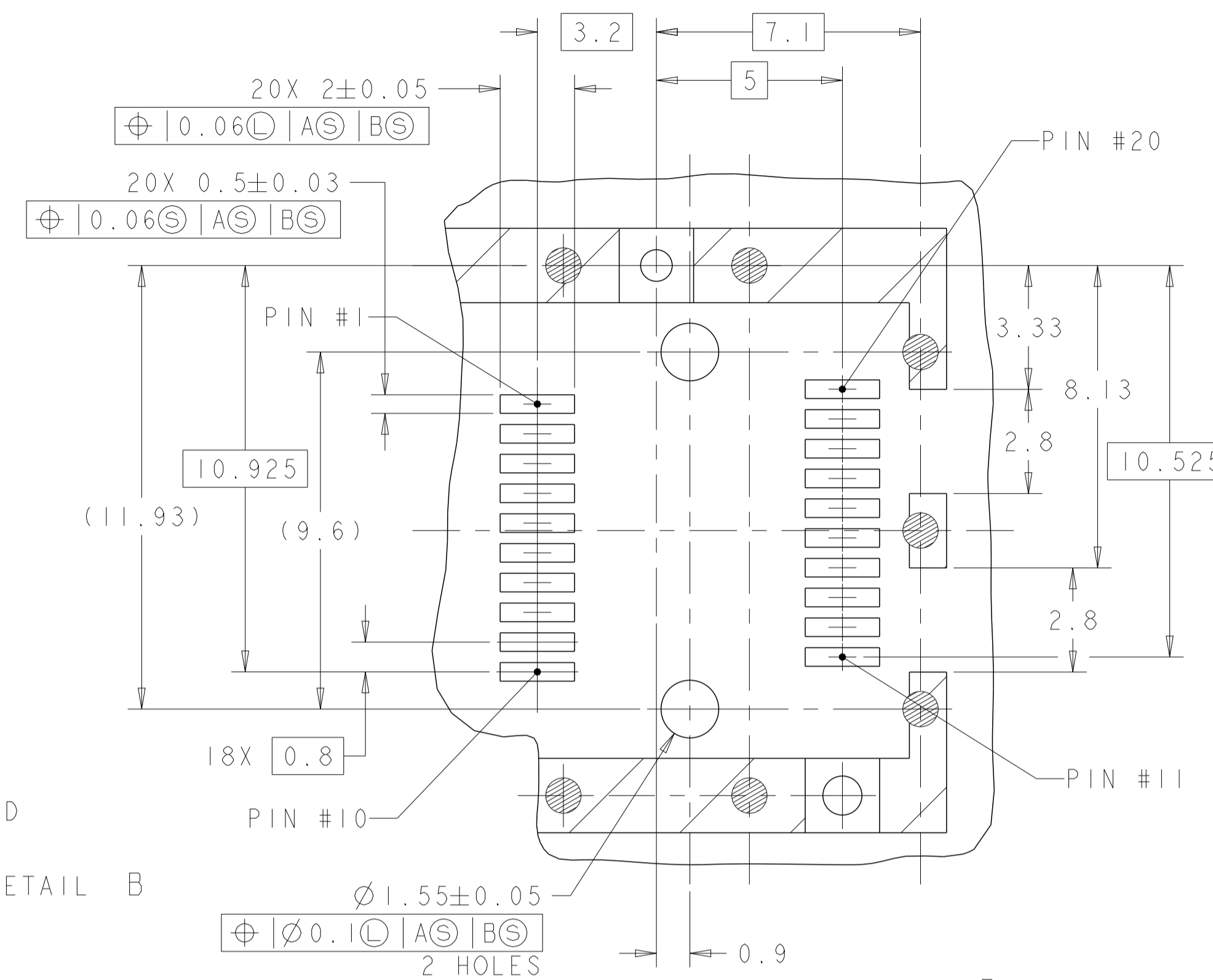
LOC	DIST	REV	DATE	APPD	APVD
GP	00				
P LTH		DESCRIPTION		DATE	OWN
		SEE SHEET 1			



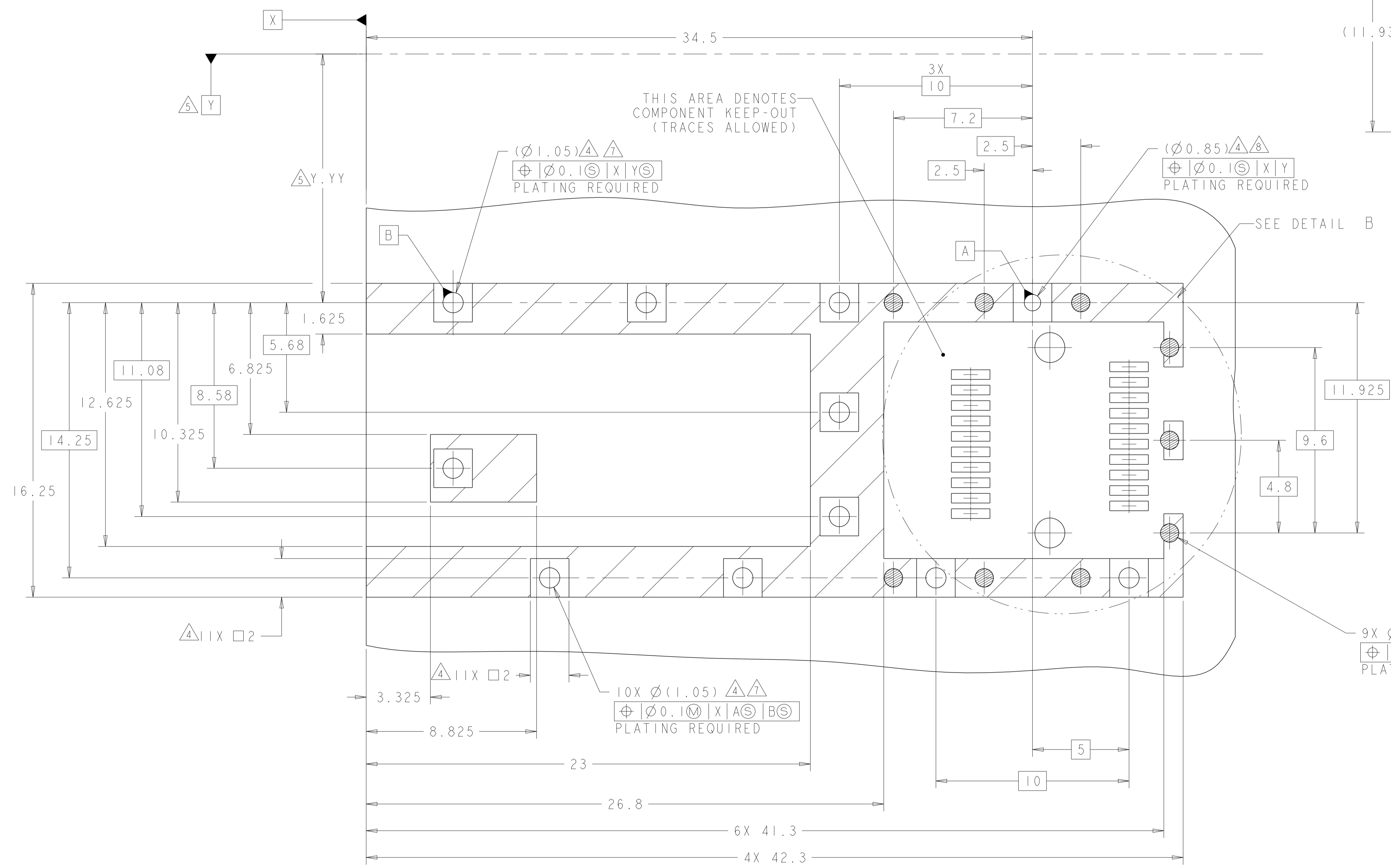
RECOMMENDED BEZEL CUTOUT
SCALE 4:1



RECOMMENDED BEZEL AND
PC BOARD ORIENTATION
SCALE 4:1



DETAIL B
SCALE 8:1



RECOMMENDED PCB LAYOUT FOR WITH
INSULATING TAPE PART
SCALE 8:1

THIS DRAWING IS A CONTROLLED DOCUMENT.		OWN: PETER PAN 17MAR2015	TE Connectivity
DIMENSIONS: mm		CHK: SEAN HAN 17MAR2015	
TOLERANCES UNLESS OTHERWISE SPECIFIED:		APPD: SEAN HAN 17MAR2015	NAME: SFP+ IXI CAGE ASSEMBLY, PRESS-FIT PRESS-FIT, EMI SPRINGS WITH HEATSINK PRODUCT SPEC: 108-2364 APPLICATION SPEC: 114-13120
0 PLC ±0.1 1 PLC ±0.1 2 PLC ±0.1 3 PLC ±0.05 4 PLC ±0.05 ANGLES ±0.05		SIZE: A CAGE CODE: 00779 DRAWING NO: C=2291634	
MATERIAL: FINISH		WEIGHT: -	RESTRICTED TO: -
CUSTOMER DRAWING		SCALE: 2	SHEET: 4 OF 4 REV: A