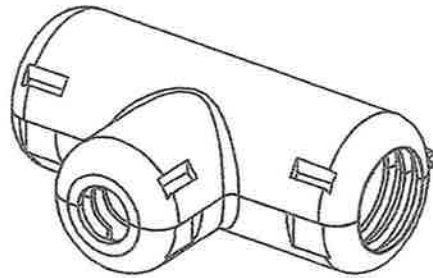
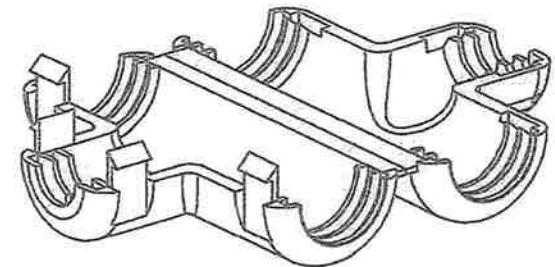
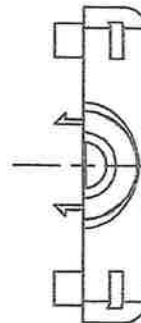
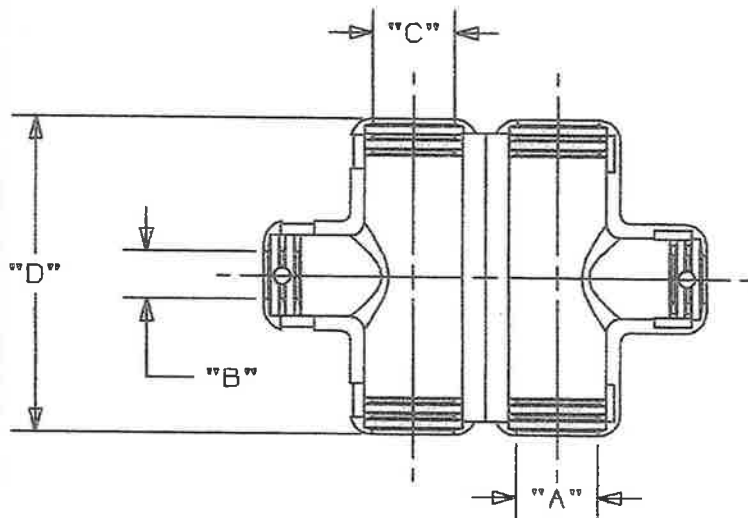
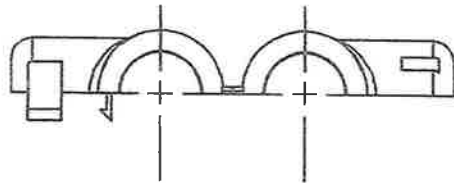


THIS COPY IS PROVIDED ON A RESTRICTED BASIS AND IS NOT TO BE USED IN ANY WAY DETRIMENTAL TO THE INTERESTS OF PANDUIT CORP.



PANDUIT PART NO.	DIMENSIONS			
	'A'	'B'	'C'	'D' (REF)
CF382538F	0.49	0.34	0.49	2.06
CF502550F	0.59	0.34	0.59	2.30
CF503850F	0.59	0.49	0.59	2.30
CF752575F	0.85	0.34	0.85	3.06
CF753875F	0.85	0.49	0.85	3.06



DIMENSIONS IN BRACKETS ARE METRIC [mm]	
CAD FILENAME/LAYERS G00239HF_PB_CLTFTGS_01.PRT	
PANDUIT CORP. TINLEY PARK, ILLINOIS	
CORRUGATED TUBING FITTINGS	
UNLESS OTHERWISE SPECIFIED, DIMENSIONAL TOLERANCES ARE: (.X) ±0.05 (1.3) (.XXX) ±0.010 (0.25) (.XX) ±0.02 (0.5) ANGLES ± 5°	UNLESS OTHERWISE SPECIFIED, ALL DIMENSIONS ARE GIVEN IN INCHES, THIRD ANGLE PROJECTION.
DRAWN BY JAD	MAT'L: POLYPROPYLENE BLACK
DATE 4/9/01	SCALE NONE
CHK'D <i>[Signature]</i>	DWG NO. GB0239HF
	SIZE A

REV	DATE	BY	CHK	DESCRIPTION	ECN	R	CUST	SUP
1	9/5/01	LGG	CPX	REMOVED CF383838F	GB0239HF	1		
R	4/9/01	JAD		INITIAL RELEASE	GB0239HF	R		