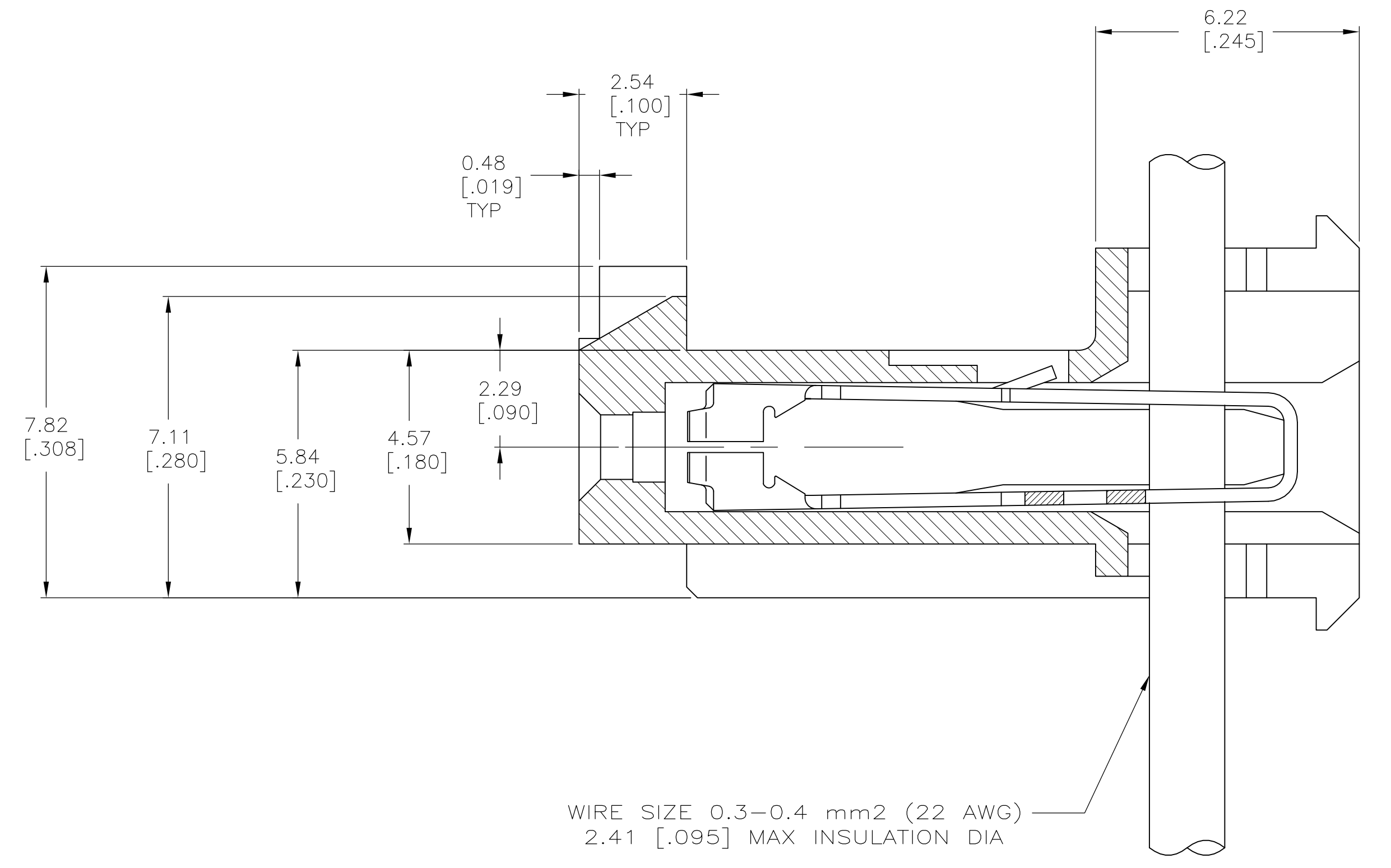
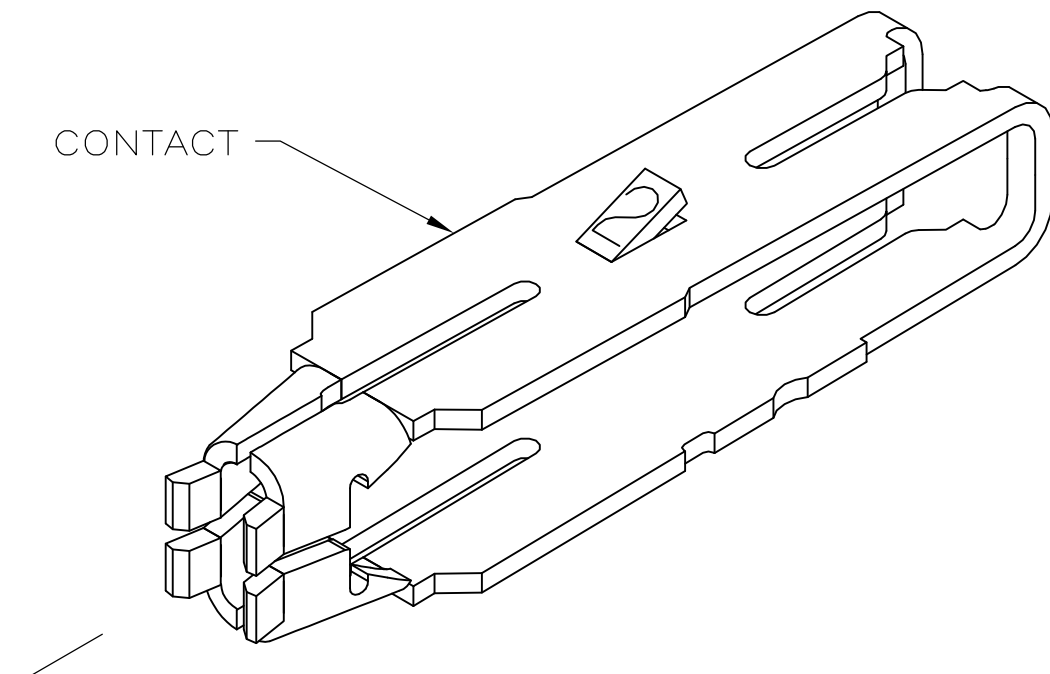
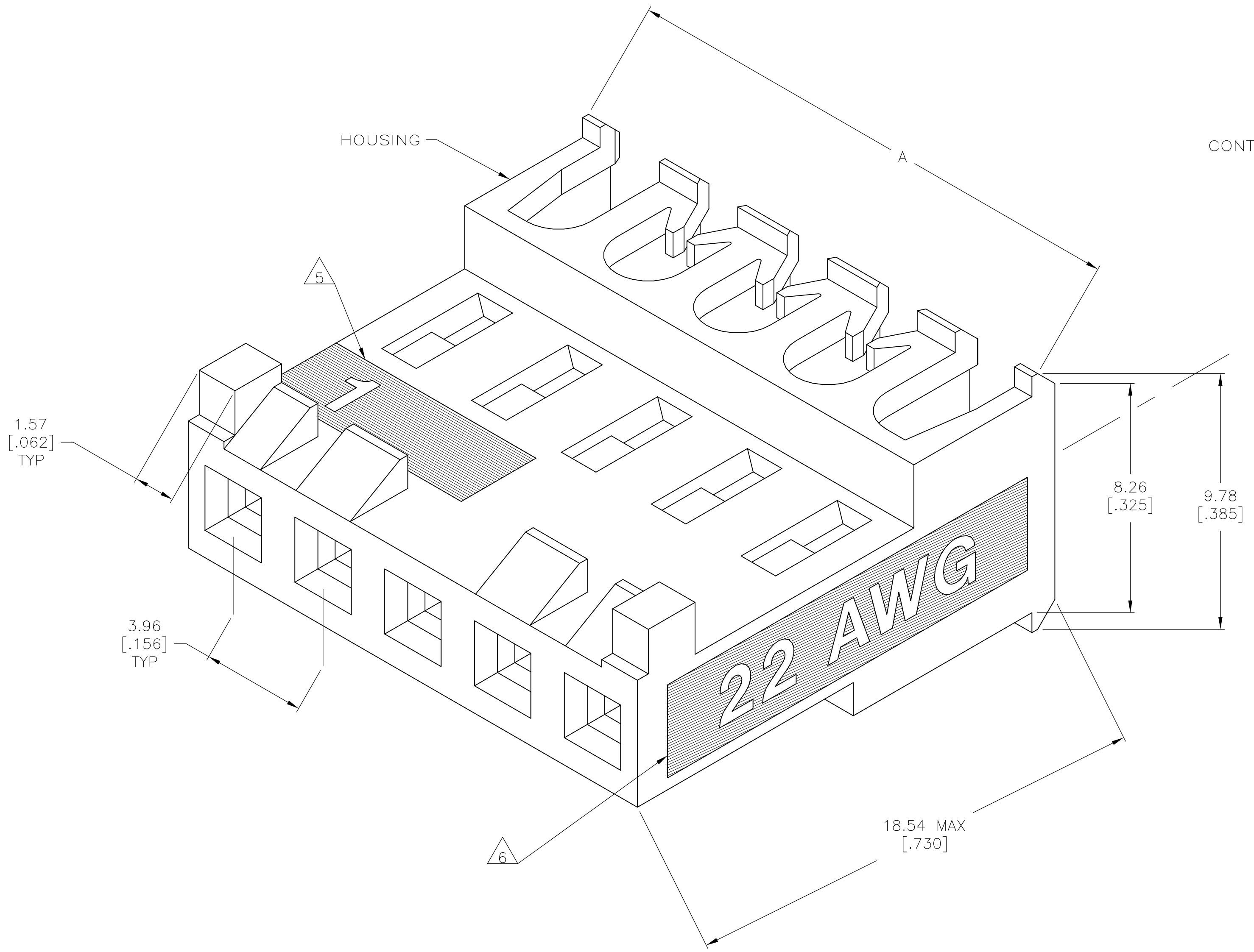


LOC		DIST		REVISIONS			
P	LTR	DESCRIPTION	DATE	DMN	APVD		
E		ECO-07-012895	22JUN07	KW	DB		
E1		REVISED PER ECO-09-022908	08OCT09	KK	AEG		

1. OPERATING TEMPERATURE: -55°C TO 105°C.
2. MATERIAL: HOUSING, NYLON 6/6, UL 94V-0, BLACK CONTACT, 0.30 [.012] THICK COPPER ALLOY
3. FINISH: BRIGHT TIN-LEAD PLATE 0.00203-0.00508 [.000080-.000200"] THICK OR MATTE WHISKER MITIGATED TIN 0.00203 [.000080] MIN THICKNESS OVER NICKEL UNDERPLATE.
4. LUBRICATED WITH AMP ANTI-FRETTING LUBRICANT.
5. IDENTIFICATION NUMBER FOR FIRST CIRCUIT.
6. WIRE GAUGE IDENTIFICATION
7. DIMENSIONS IN BRACKETS ARE IN INCHES.
8. CONTACT MUST ACCEPT 1.14±0.03 [.045±.001] SQUARE POST AND REMAINED LOCKED IN POSITION.
9. OBSOLETE PARTS: OBSOLETE CIS STREAMLINING PER D.RENAUD/D.SINISI



TIN	47.55±0.30	[1.872±.012]	12	4-644389-2
TIN	43.59±0.30	[1.716±.012]	11	4-644389-1
TIN	39.62±0.30	[1.560±.012]	10	4-644389-0
TIN	35.66±0.30	[1.404±.012]	9	3-644389-9
TIN	31.70±0.30	[1.248±.012]	8	3-644389-8
TIN	27.74±0.30	[1.092±.012]	7	3-644389-7
TIN	23.77±0.30	[.936±.012]	6	3-644389-6
TIN	19.81±0.30	[.780±.012]	5	3-644389-5
TIN	15.85±0.15	[.624±.006]	4	3-644389-4
TIN	11.89±0.15	[.468±.006]	3	3-644389-3
TIN	7.92±0.15	[.312±.006]	2	3-644389-2
FINISH	A		NO OF CKTS	PART NO

9 SUPERCEDED	TIN-LEAD	47.55±0.30	[1.872±.012]	12	1-644389-2
9 SUPERCEDED	TIN-LEAD	43.59±0.30	[1.716±.012]	11	1-644389-1
9 SUPERCEDED	TIN-LEAD	39.62±0.30	[1.560±.012]	10	1-644389-0
9 SUPERCEDED	TIN-LEAD	35.66±0.30	[1.404±.012]	9	644389-9
9 SUPERCEDED	TIN-LEAD	31.70±0.30	[1.248±.012]	8	644389-8
9 SUPERCEDED	TIN-LEAD	27.74±0.30	[1.092±.012]	7	644389-7
9 SUPERCEDED	TIN-LEAD	23.77±0.30	[.936±.012]	6	644389-6
9 SUPERCEDED	TIN-LEAD	19.81±0.30	[.780±.012]	5	644389-5
	TIN-LEAD	15.85±0.15	[.624±.006]	4	644389-4
9 SUPERCEDED	TIN-LEAD	11.89±0.15	[.468±.006]	3	644389-3
9 SUPERCEDED	TIN-LEAD	7.92±0.15	[.312±.006]	2	644389-2
	FINISH	A		NO OF CKTS	PART NO

**METRIC**

THIS DRAWING IS A CONTROLLED DOCUMENT.

DIMENSIONS: mm [INCHES]	TOLERANCES UNLESS OTHERWISE SPECIFIED:	DIN C. MARTIN 23APR90	24APR90	Tyco Electronics Corporation Harrisburg, Pa 17105-3608
0 PLC ± -	1 PLC ± -	2 PLC ± -	3 PLC ± 0.13(.005)	
MATERIAL: 2 FINISH: 3		APVD: R SWING 24APR90	NAME: G MILLER	MTA-156 CONNECTOR ASSEMBLY, QUAD, 22 AWG, FEED THRU, WITH LOCKING RAMP, WITH POLARIZING TAB
APPLICATION SPEC: 108-1219 SIZE: 114-1048		DRAWING NO: A100779 WEIGHT: -	CUSTOMER DRAWING	SCALE: 10:1 SHEET: 1 OF 1 REV: E1