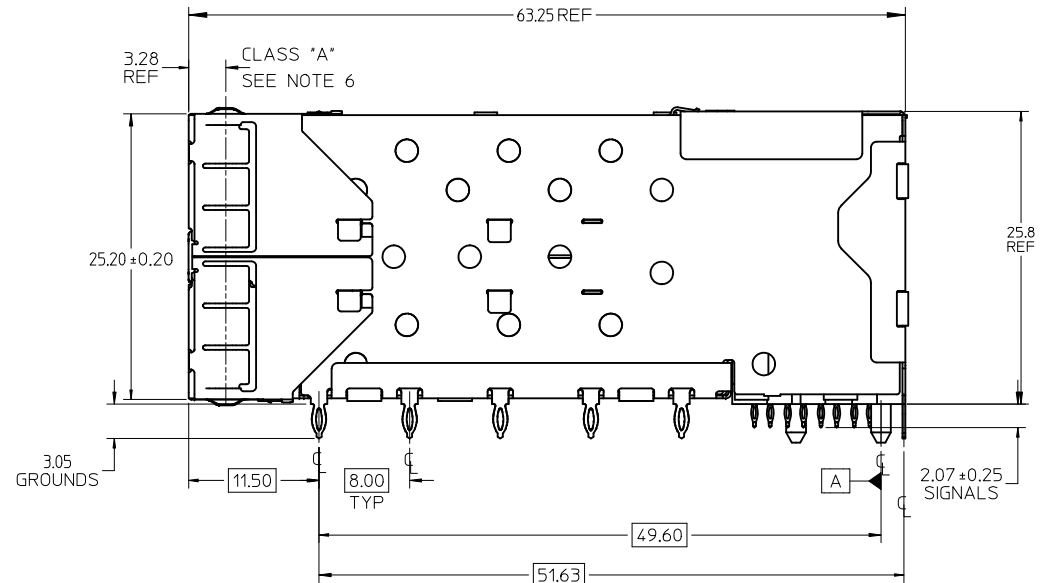
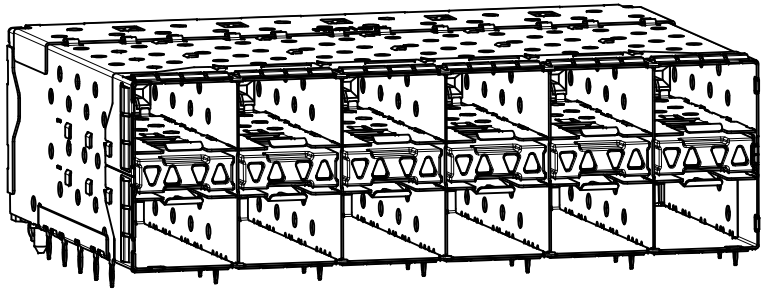


PART NUMBER	PART TYPE (SEE VIEWS ON SHEET 2)	COMPLIANT TAIL PLATING
760480001	4 LIGHT PORTS	TIN-LEAD
760480002	INNER 2 PORTS	TIN-LEAD
760480003	OUTER 2 PORTS	TIN-LEAD
760485001	4 LIGHT PORTS	TIN
760485002	INNER 2 PORTS	TIN
760485003	OUTER 2 PORTS	TIN
760485004	OUTER 2 PORTS - SPECIAL CONFIG	TIN

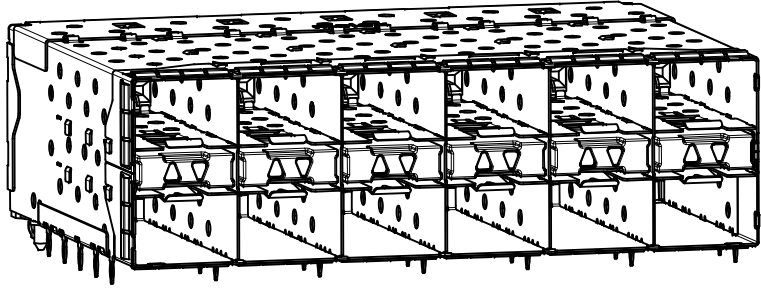
- NOTES**
- MATERIAL:**
    - CAGE: NICKEL SILVER, THICKNESS: 0.25mm
    - CONNECTOR HOUSING: GLASS FILLED LIQUID CRYSTAL POLYMER (LCP), UL 94V-0, COLOR: BLACK
    - OVERMOLD TERMINAL HOUSING: GLASS FILLED LIQUID CRYSTAL POLYMER (LCP), UL 94V-0, COLOR: BLACK
    - TERMINALS: TIN BRASS
    - EMI GASKET: PHOS-BRONZE
    - LIGHTPIPE HOUSING: ZINC
    - LIGHTPIPERES: POLYCARBONATE, COLOR: CLEAR
  - FINISHES:**
    - TERMINALS: CONTACT AREA: 0.76 MICROMETERS MINIMUM HARD GOLD OVER 1.27 MICROMETERS MINIMUM NICKEL.
    - COMPLIANT TAIL - TIN/LEAD OPTION: 0.76 TO 1.52 MICROMETERS 90/10 TIN-LEAD OVER 0.76 MICROMETERS MINIMUM NICKEL.
    - COMPLIANT TAIL - TIN OPTION: 0.76 TO 1.52 MICROMETERS TIN OVER 0.76 MICROMETERS MINIMUM NICKEL.
    - LIGHT PIPE HOUSING: 80 MICROMETERS MINIMUM NICKEL OVER COPPER
    - EMI GASKET: 2.54 MICROMETERS MINIMUM NICKEL OVERALL
  - REFER TO PS-75310-001 PRODUCT SPEC FOR ALL ELECTRICAL, MECHANICAL, AND ENVIRONMENTAL SPECIFICATIONS.
  - LIGHTPIPE PAD LAYOUT IS FOR 0805 LOW-PROFILE LED PACKAGE, FOR OTHER RECOMMENDED LAYOUTS REFER TO MOLEX'S REPORT TS-75310-001.
  - REFER TO PK-75451-001 FOR ALL PACKAGING SPECIFICATIONS.
  - THE SURFACES CONFORM TO THE MOLEX COSMETIC SPEC PS-45499-002. ALL EXTERIOR SURFACES TO BE CLASS "B" SURFACE EXCEPT THE UNDERSIDE (CLASS "C") OF THE CAGE (SIDE TOWARD THE PCB) AND AS OTHERWISE NOTED.
  - THE OVERALL CAGE WIDTH AT THE VERTICAL CENTER OF THE FRONT EDGE WILL FALL WITHIN THIS DIMENSION: 86.30 ± 0.30 MM. THIS PORTION OF THE CAGE WILL FLEX INWARD AS THE CAGE IS BEING INSERTED INTO THE BEZEL OPENING.
  - REFER TO AS-76090-001 FOR HIGH SPEED ROUTING RECOMMENDATIONS.
  - DATE CODE LOCATION IS SHOWN ABOVE.  
DATE CODE FORMAT: DDDY MX A1  
DDD = DAY OF THE YEAR  
Y = YEAR  
MX = MOLEX  
A = ALPHA CHARACTER - INDICATES MANUFACTURING LINE  
1 = NUMERIC CHARACTER - INDICATES PRODUCTION SHIFT



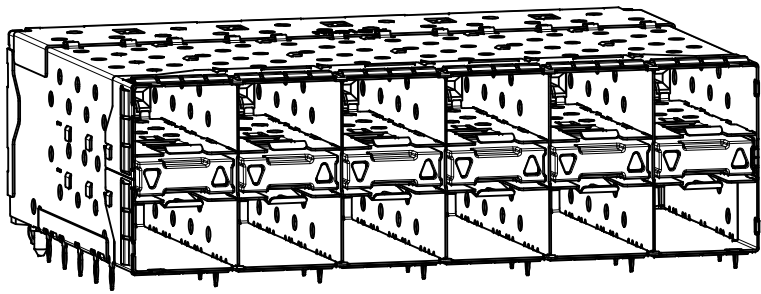
<b>ADD 760485004</b> EC NO: UCP2011-2450 DRWINWOLFE 2011/03/08 CHKD:MIBARRA 2011/03/08 APPR:SMILLER 2011/11/09	QUALITY SYMBOLS	GENERAL TOLERANCES (UNLESS SPECIFIED)	DIMENSION STYLE <b>MM ONLY</b>	SCALE <b>3:1</b>	DESIGN UNITS <b>METRIC</b>	THIRD ANGLE PROJECTION
	▽=0	mm INCH	DRAWN BY DATE MSANDBERG 09/28/2006	TITLE <b>STACKED SFP+ 2X6 ASSY WITH METAL EMI GASKET AND LIGHTPIPERES</b>	<b>MOLEX INCORPORATED</b>	SHEET NO. <b>1 OF 5</b>
	▽=0	4 PLACES ± --- ± --- 3 PLACES ± --- ± --- 2 PLACES ± 0.13 ± --- 1 PLACE ± 0.25 ± ---	CHECKED BY DATE JLONG 09/28/2006			
	▽=0	ANGULAR ± 5 °	APPROVED BY DATE KREGNIER 09/28/2006	DOCUMENT NO. <b>SD-76048-001</b>	THIS DRAWING CONTAINS INFORMATION THAT IS PROPRIETARY TO MOLEX INCORPORATED AND SHOULD NOT BE USED WITHOUT WRITTEN PERMISSION	
REV D	DRAFT WHERE APPLICABLE MUST REMAIN WITHIN DIMENSIONS	SIZE C				



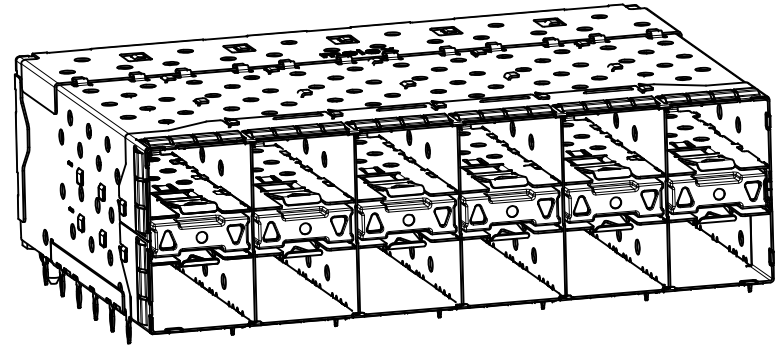
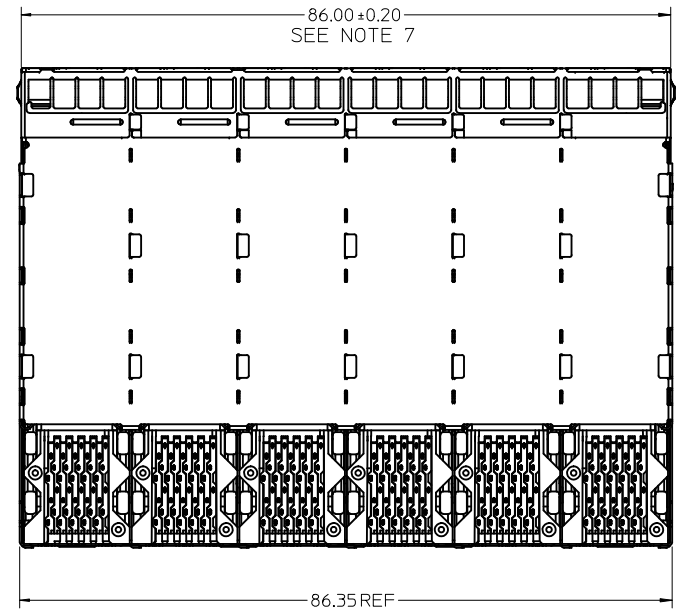
760480001 AND 760485001  
WITH INNER AND OUTER LIGHTPIPES



760480002 AND 760485002  
WITH INNER LIGHTPIPES

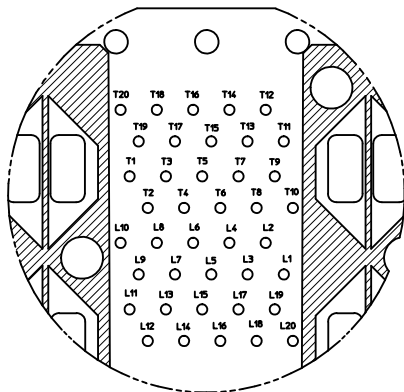


760480003 AND 760485003  
WITH OUTER LIGHTPIPES

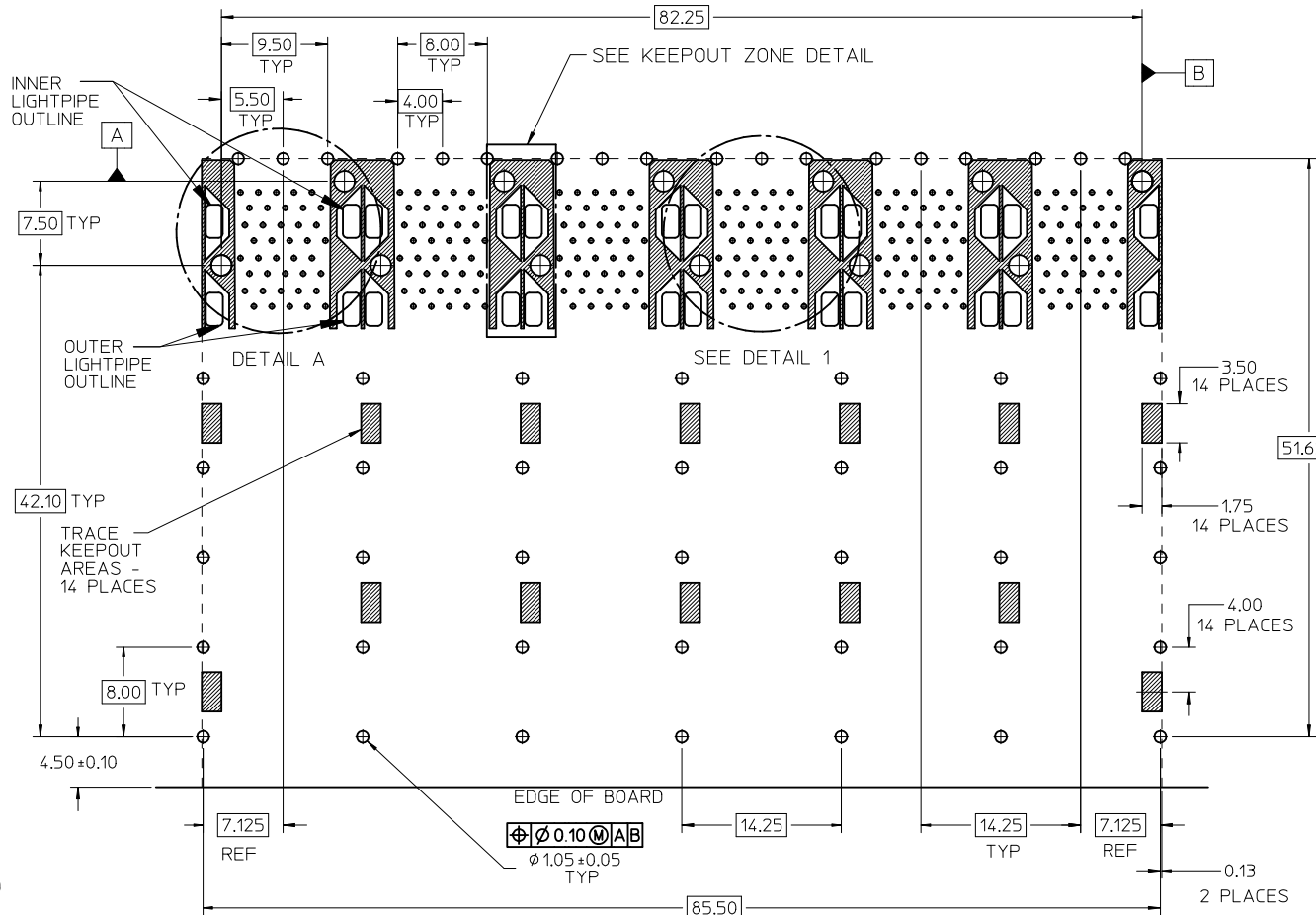


760485004  
WITH OUTER LIGHTPIPES

SEE SHEET 1 EC NO: UCP2011-2450 DRWN:WOLFE 2011/03/08 CHKD:MIBARRA 2011/03/08 APPR:SMILLER 2011/11/09	QUALITY SYMBOLS = 0 = 0 = 0	GENERAL TOLERANCES (UNLESS SPECIFIED)		DIMENSION STYLE <b>MM ONLY</b>		SCALE 2:1	DESIGN UNITS METRIC	THIRD ANGLE PROJECTION		
		mm	INCH	DRAWN BY	DATE	TITLE <b>STACKED SFP+ 2X6 ASSY WITH METAL EMI GASKET AND LIGHTPIPES</b>				
		4 PLACES ± ---	± ---	MSANDBERG	09/28/2006					
		3 PLACES ± ---	± ---	CHECKED BY	DATE	MOLEX INCORPORATED DOCUMENT NO. SD-76048-001 SHEET NO. 2 OF 5				
2 PLACES ± 0.13	± ---	JLONG	09/28/2006							
1 PLACE ± 0.25	± ---	APPROVED BY	DATE	THIS DRAWING CONTAINS INFORMATION THAT IS PROPRIETARY TO MOLEX INCORPORATED AND SHOULD NOT BE USED WITHOUT WRITTEN PERMISSION						
ANGULAR ± 5 °		KREGNIER	09/28/2006							
DRAFT WHERE APPLICABLE MUST REMAIN WITHIN DIMENSIONS		SEE TABLE								

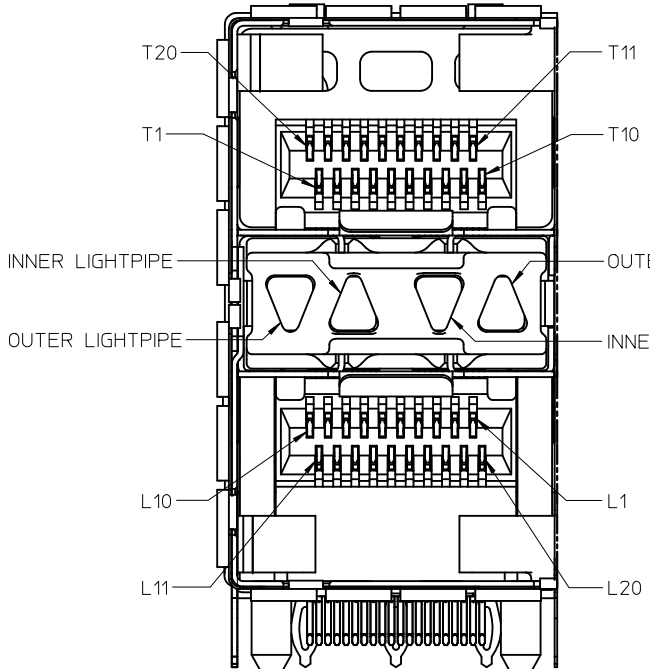


DETAIL 1  
SCALE 6:1



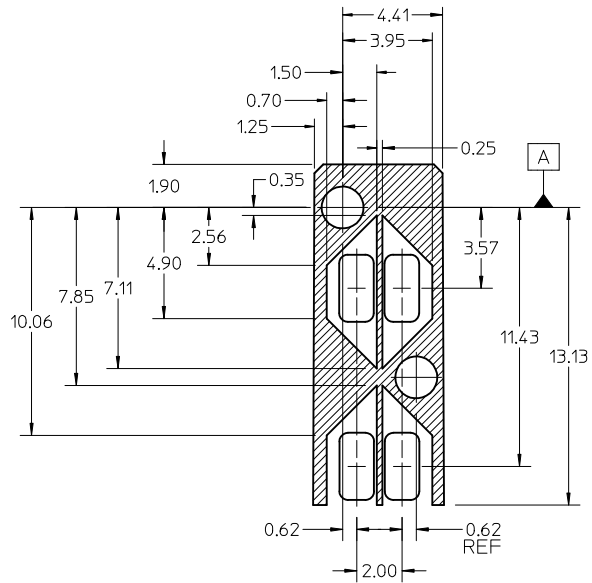
RECOMMENDED PCB LAYOUT - COMPONENT SIDE  
RECOMMENDED PCB THICKNESS - 2.63 MM (.093 INCH)

THE ENTIRE AREA OF THE CONNECTOR FOOTPRINT  
TO BE CONSIDERED THE KEEP OUT AREA FOR COMPONENTS  
(OTHER THAN LIGHT PIPE LED'S)  
THIS AREA IS INDICATED BY THE DASHED LINE



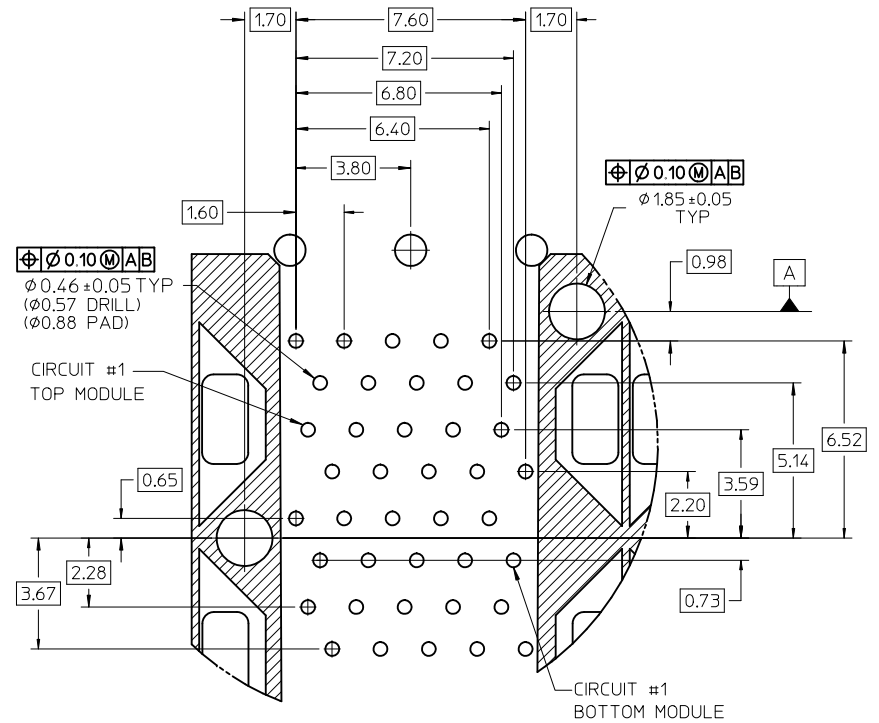
DETAIL 3  
SCALE 6:1

ADD DETAIL 3 EC NO: UCP2011-2450 DRWN:WOLFE 2011/03/08 CHKD:MIBARRA 2011/03/08 APPR:SMILLER 2011/11/09	QUALITY SYMBOLS ▽=0 ▽=0 ▽=0	GENERAL TOLERANCES (UNLESS SPECIFIED)		DIMENSION STYLE	SCALE	DESIGN UNITS	THIRD ANGLE PROJECTION	
				MM ONLY	3:1	METRIC		
				DRAWN BY	DATE	TITLE		
				CHECKED BY	DATE			
		4 PLACES ± --- ± ---		MSANDBERG	09/28/2006	STACKED SFP+ 2X6 ASSY WITH METAL EMI GASKET AND LIGHTPIPES		
		3 PLACES ± --- ± ---		APPROVED BY		MOLEX INCORPORATED		
		2 PLACES ± 0.13 ± ---		JLONG	09/28/2006	SD-76048-001		
		1 PLACE ± 0.25 ± ---		DATE		SHEET NO.		
		ANGULAR ± 5 °		KREGNIER	09/28/2006	3 OF 5		
		DRAFT WHERE APPLICABLE MUST REMAIN WITHIN DIMENSIONS		MATERIAL NO.		DOCUMENT NO.		
				SEE TABLE				
				THIS DRAWING CONTAINS INFORMATION THAT IS PROPRIETARY TO MOLEX INCORPORATED AND SHOULD NOT BE USED WITHOUT WRITTEN PERMISSION				



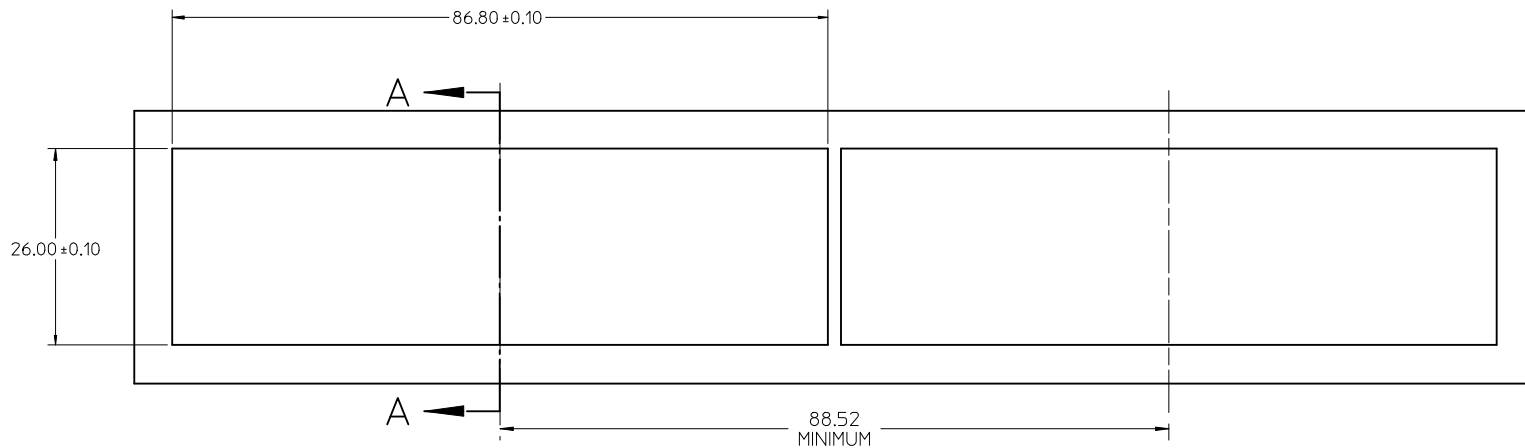
DETAIL - LIGHTPIPE LOCATION AND OTHER ZONES  
SCALE 6:1

THE HATCHED AREA IN THIS VIEW INDICATES ZONES THAT ARE OCCUPIED BY THE PLASTIC HOUSING THAT SEATS AGAINST THE PCB AND BY THE VERTICAL METAL CAGE WALL THAT STOPS JUST SHORT OF THE PCB

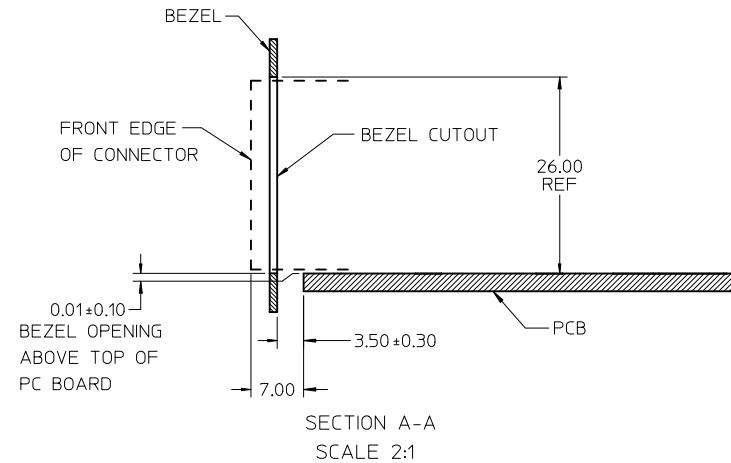


DETAIL A  
SCALE 8:1

SEE SHEET 1 EC NO: UCP2011-2450 DRWN: MWOLFE 2011/03/08 CHKD: MIBARRA 2011/03/08 APPR: SMILLER 2011/11/09	QUALITY SYMBOLS 	GENERAL TOLERANCES (UNLESS SPECIFIED)		DIMENSION STYLE MM ONLY		SCALE 2:1	DESIGN UNITS METRIC	THIRD ANGLE PROJECTION		
		4 PLACES	± ---	± ---	DRAWN BY MSANDBERG	DATE 09/28/2006	TITLE <b>STACKED SFP+ 2X6 ASSY WITH METAL EMI GASKET AND LIGHTPIPES</b>			
		3 PLACES	± ---	± ---	CHECKED BY JLONG	DATE 09/28/2006				
		2 PLACES	± 0.13	± ---	APPROVED BY KREGNIER		DATE 09/28/2006	MOLEX INCORPORATED DOCUMENT NO. SD-76048-001 SHEET NO. 4 OF 5		
1 PLACE	± 0.25	± ---	MATERIAL NO.		DATE					
ANGULAR ± 5 °			DRAFT WHERE APPLICABLE MUST REMAIN WITHIN DIMENSIONS		SIZE C	THIS DRAWING CONTAINS INFORMATION THAT IS PROPRIETARY TO MOLEX INCORPORATED AND SHOULD NOT BE USED WITHOUT WRITTEN PERMISSION				



BEZEL CUTOUT CENTER SPACING DETAIL  
BEZEL THICKNESS 0.8 - 2.6



ADD SECOND BEZEL CUTOUT EC NO: UCP2011-2450 DRWN:WOLFE 2011/03/08 CHKD:MIBARRA 2011/03/08 APPR:SMILLER 2011/11/09	QUALITY SYMBOLS ▽=0 ▽=0 ▽=0	GENERAL TOLERANCES (UNLESS SPECIFIED)		DIMENSION STYLE <b>MM ONLY</b>		SCALE <b>3:1</b>	DESIGN UNITS <b>METRIC</b>	THIRD ANGLE PROJECTION		
				mm	INCH	DRAWN BY MSANDBERG	DATE 09/28/2006	TITLE <b>STACKED SFP+ 2X6 ASSY WITH METAL EMI GASKET AND LIGHTPIPES</b>		
						CHECKED BY JLONG	DATE 09/28/2006			
				ANGULAR ± 5 °		APPROVED BY KREGNIER		DATE 09/28/2006	MOLEX INCORPORATED DOCUMENT NO. <b>SD-76048-001</b>	
		DRAFT WHERE APPLICABLE MUST REMAIN WITHIN DIMENSIONS		MATERIAL NO. <b>SEE TABLE</b>		SHEET NO. <b>5 OF 5</b>				
THIS DRAWING CONTAINS INFORMATION THAT IS PROPRIETARY TO MOLEX INCORPORATED AND SHOULD NOT BE USED WITHOUT WRITTEN PERMISSION										