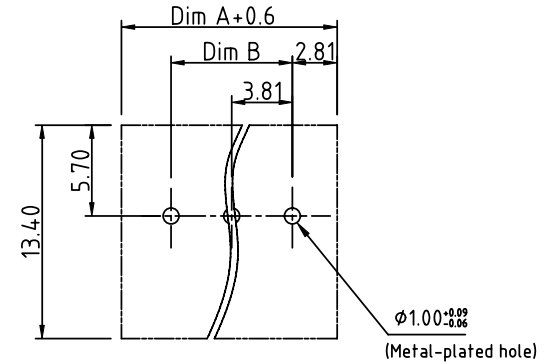
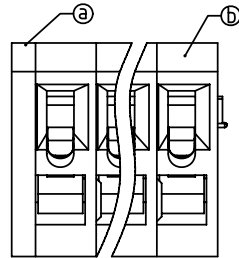
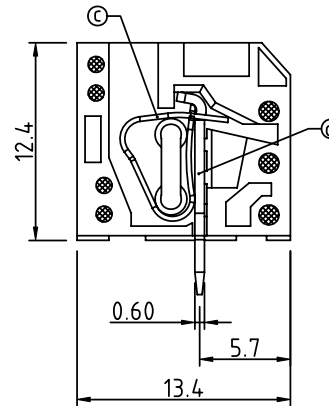
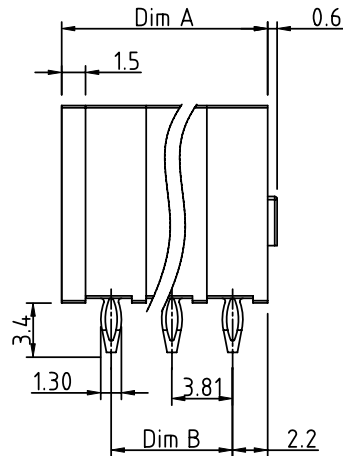
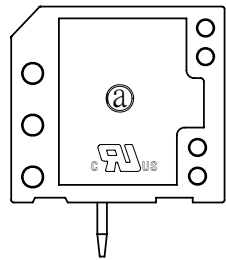


PRODUCT NUMBER	PITCH
HMxx30x100J0G	3.81mm



RECOMMENDED P.C.B LAYOUT  
TOP VIEW



Material:

- Item① Insulator(Cover): Thermoplastic (UL94V-0)
- Item② Insulator(housing): Thermoplastic (UL94V-0)
- Item③ Spring clamp: Stainless steel
- Item④ Terminal Body(Solder pin): Brass, Bright tin over Nickel plated

Electrical:

- Voltage rating: 300V
- Current rating: 8A
- Wire range:
- Solid wire(AWG): 14-28
- Stranded wire(AWG): 14-28
- Wire strip length: 5-6mm
- Withstanding Voltage: 1.6KV
- Operating temperature: -40°C to +115°C
- Safety Approval:

N=Number of poles  
Dim A=Nx3.81+1.5  
Dim B=(N-1)x3.81

Poles	Dim A	Dim B
1p	±0.10	
2-6p	±0.15	±0.15
7-12p	±0.20	±0.20
13-18p	±0.30	±0.25
19-24p	±0.40	±0.30

PART NO.: HM xx 30 x 100J0 G

No. of poles	Color	RoHS compliant
0	Black (RAL9005)	(lead<4%)
End Stackable	2 Red (RAL3001/D)	In copper Alloy
01	1 poles 3 Orange(RAL2011/P)	
02	2 poles 4 Yellow(RAL1018/A)	
...	5 Green(RAL6018/T)	
24	24 poles 6 Blue (RAL5015/A)	
	8 Grey(RAL7004/P)	
	9 White(RAL1102)	
	C Multiple colors	

mat'l. code		surface ASME Y14.5	tolerance ASME Y14.5	projection	product family TERMINAL BLOCK
ltr	ecn no	dr	date		title TERMINAL BLOCK
B	T-23804	HF	011416		
		angles	$X \pm 0.5$	MM	SPRING CLAMP, 90D WIRE INLET, PRESS FIT
		$X \pm 1^\circ$	$X.X \pm 0.3$	scale	scale
		dr	EVIN ZHONG 052914		dwg no
		enr	EVIN ZHONG 052914		sheet 1 of 1
		chr	HANKE FENG 052914		size
		appd	SHI JUN 052914		A4
sheet index	revision	B			type CUSTOMER Drawing
	sheet	1			