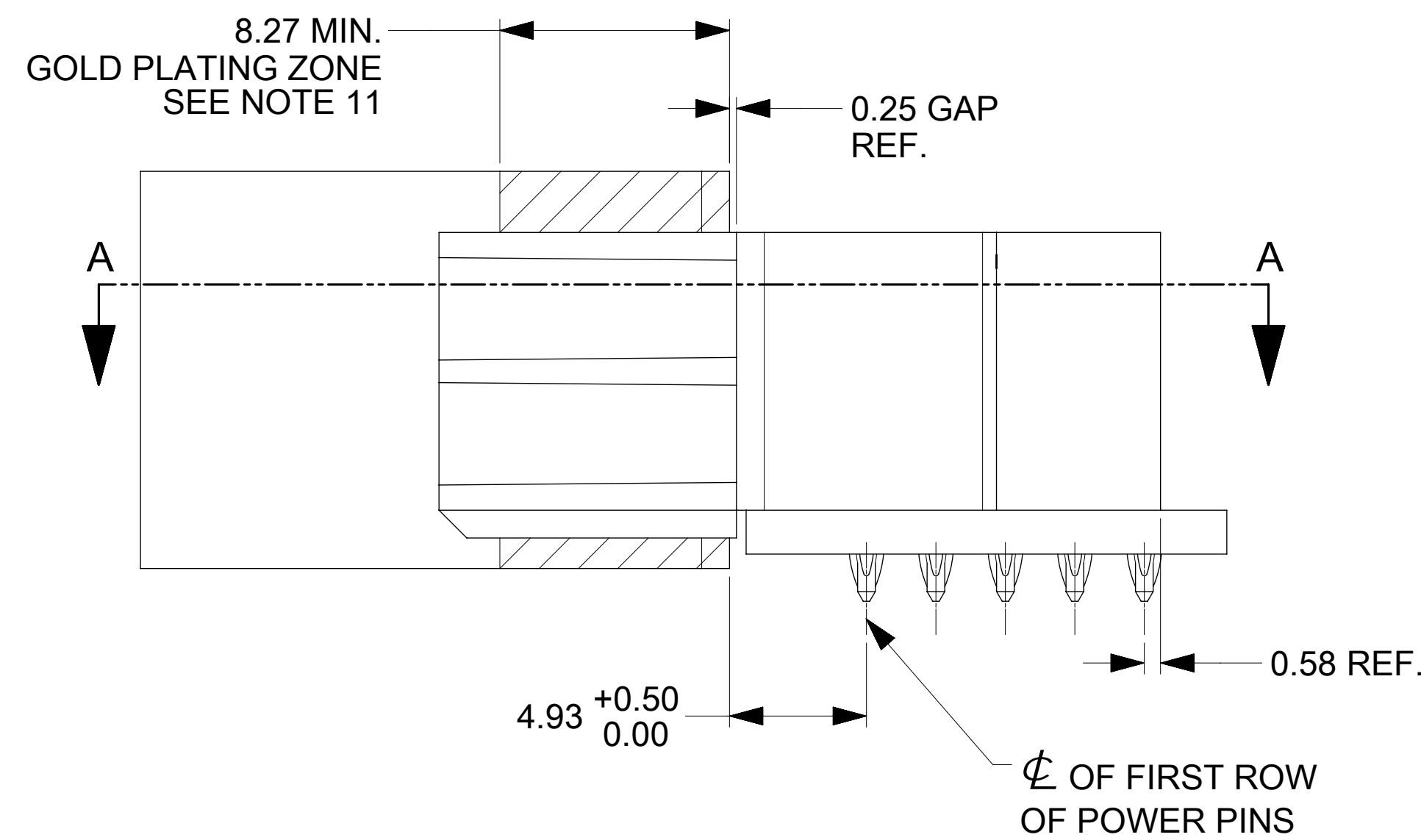
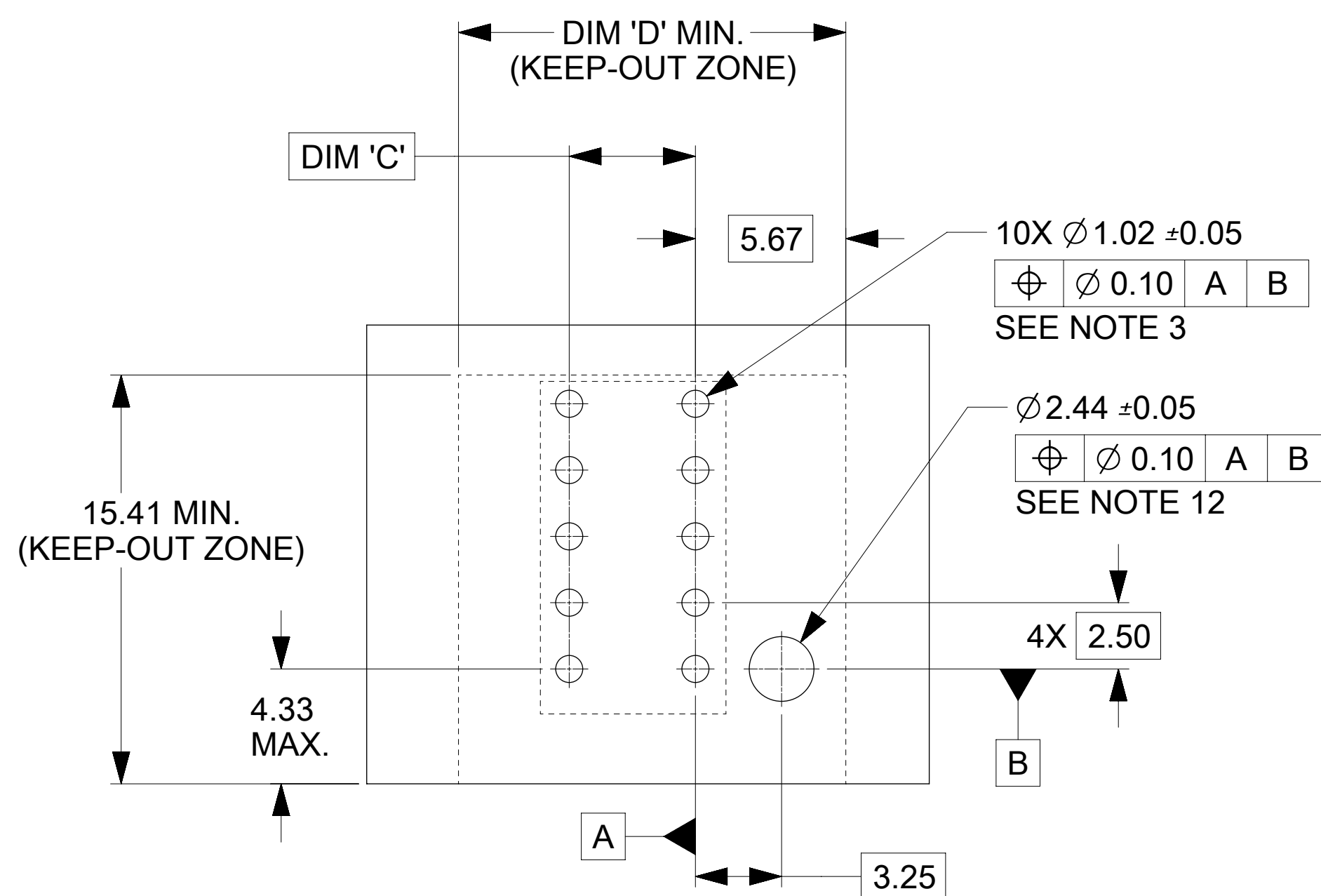
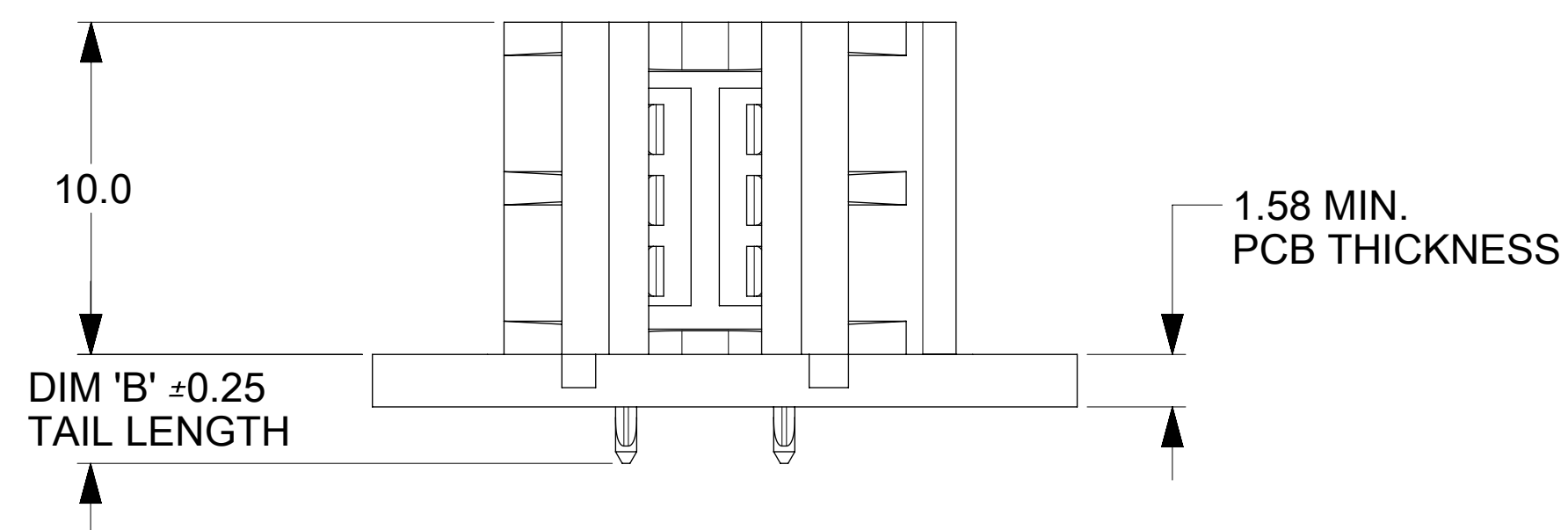


SECTION A-A



MATED PROFILE



RECOMMENDED PCB LAYOUT AND KEEP-OUT ZONE (SHOWN FROM TOP)

NOTES:

- MATERIAL:
 - HOUSINGS: LCP UL94 V-0, COLOR: BLACK.
 - TERMINALS: COPPER ALLOY.
 - PLATING: 1.27 MICROMETER (50 MICROINCH) NICKEL OVERALL WITH:
2.54 MICROMETER (100 MICROINCH) SELECTIVE TIN ON TAILS AND
0.762 MICROMETER (30 MICROINCH) SELECTIVE GOLD ON CONTACT AREA
- PACKAGING: ASSEMBLIES TO BE TRAY PACKED PER PACKAGING SPEC: 1737080000-PK.
- PLATED THRU HOLE SIZE, REFER TO 173708-0000-PS FOR DETAILS.
- PRODUCT SPEC: 173708-0000-PS.
- PRODUCT TO MEET RoHS REQUIREMENTS.
- ASSEMBLY MATES WITH BUS BAR, SEE CHART FOR THICKNESS.
- TAIL DESIGN: SEE CHART.
- POWER CONTACTS ARE LUBRICATED.
- APPLICATION SPEC: AS-46436-100.
- MOLEX LOGO AND CAVITY ID TO BE LOCATED APPROXIMATELY AS SHOWN.
- BUSBAR MUST HAVE GOLD OVER NICKEL PLATING IN MATING ZONE, MOLEX RECOMMENDS GOLD PLATING BE COATED WITH AN ENVIRONMENTAL BARRIER
- DESIGNED FOR USE WITH #2-32 TYPE AB SELF TAPPING SCREW, RECOMMENDED TORQUE: .37 N-m MAX. TORQUE SCREWS ARE NOT SUPPLIED WITH THE CONNECTOR.
- PART NUMBER AND DATE CODE IN APPROX. LOCATION AS SHOWN.

SEE NOTE 10

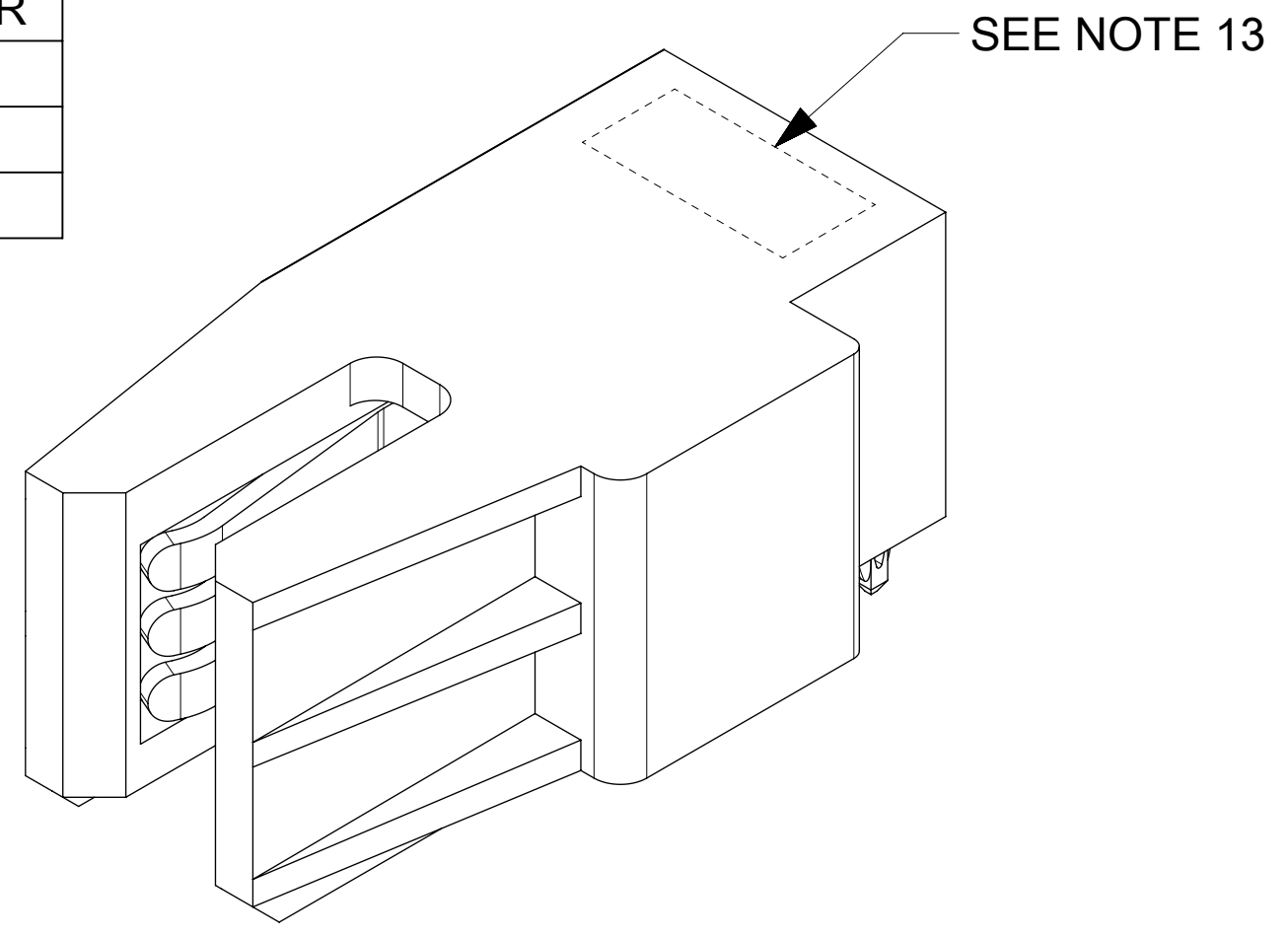
PART NUMBER	DIM 'A'	DIM 'B'	DIM 'C'	DIM 'D'	DIM 'E' BUS BAR THICKNESS	DIM 'F'	TAIL TYP.
173708-0001	13.61	3.28	4.76	14.61	3.00	2.38	PRESS-FIT
173708-0002	13.79	3.28	4.94	14.79	3.18	2.47	
173708-0003	16.71	3.28	7.86	17.71	6.10	2.38	SOLDERTAIL (.062" PCB)
173708-0004	13.61	2.84	4.76	14.61	3.00	2.38	
173708-0005	13.79	2.84	4.94	14.79	3.18	2.47	SOLDERTAIL (.093" PCB)
173708-0006	16.71	2.84	7.86	17.71	6.10	2.38	
173708-0007	13.61	3.63	4.76	14.61	3.00	2.38	SOLDERTAIL (.093" PCB)
173708-0008	13.79	3.63	4.94	14.79	3.18	2.47	
173708-0009	16.71	3.63	7.86	17.71	6.10	2.38	

PRE-RELEASE REFERENCE USE ONLY

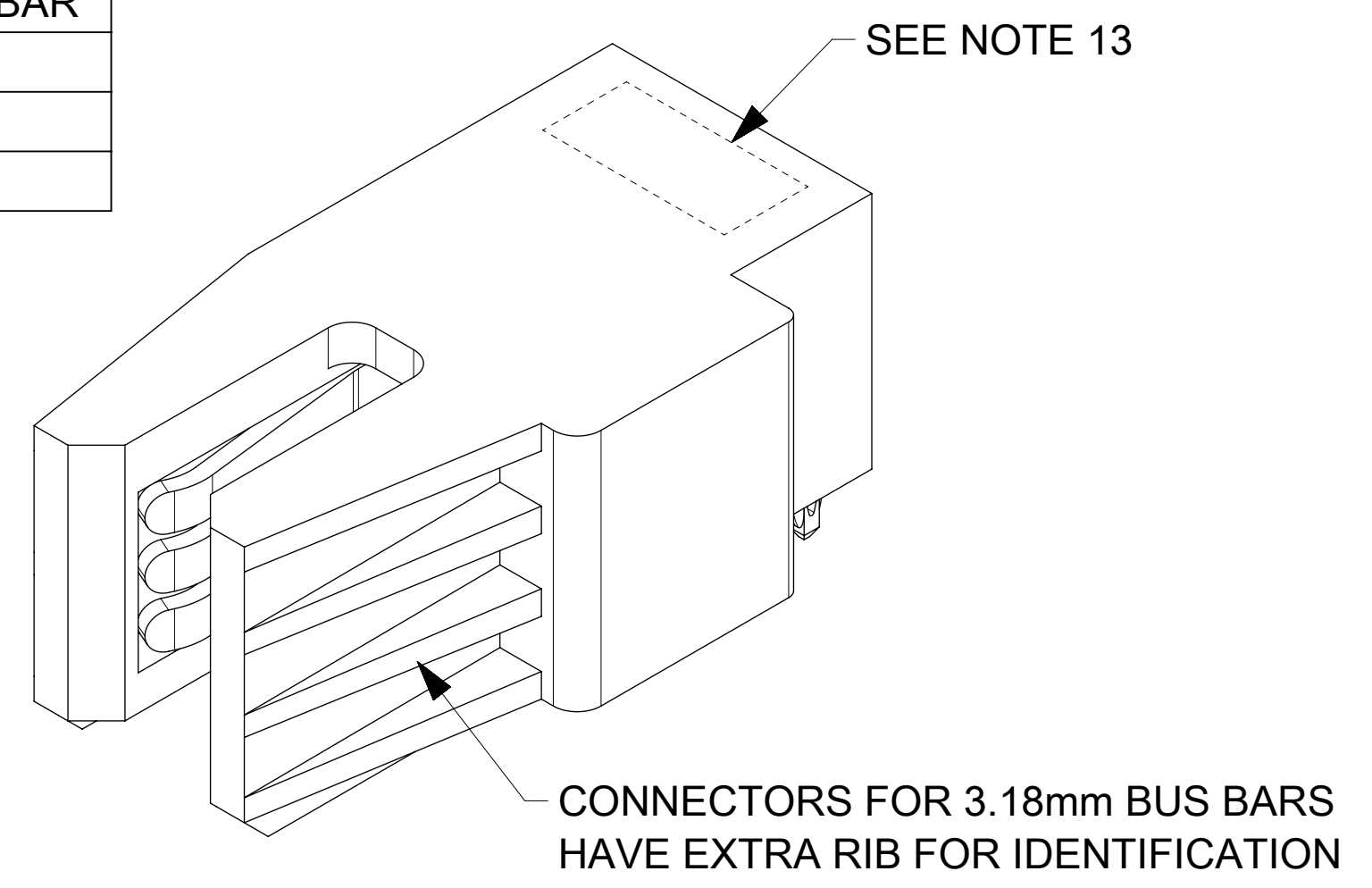
THIS DRAWING CONTAINS INFORMATION THAT IS PROPRIETARY TO MOLEX ELECTRONIC TECHNOLOGIES, LLC AND SHOULD NOT BE USED WITHOUT WRITTEN PERMISSION

EC NO: 118441 DRWN: LZABJANOVSKI CHKD: BPSZCZOR REV: APPR:	2017/06/20	2017/07/06	GENERAL TOLERANCES (UNLESS SPECIFIED)	DIMENSION UNITS	SCALE			
			ANGULAR TOL ± 0.5 °	MM	5:1			
			4 PLACES ±	DRWN BY	DATE			
			3 PLACES ±	LZABJANOVSKI	2016/09/08			
		2 PLACES ± 0.13	CHKD BY	DATE	R/A BUSBAR CONNECTOR 1-CKT RECEPTACLE			
		1 PLACE ± 0.25	APPR BY	DATE				
		0 PLACES ±	JCOMERCI	2016/10/24	PRODUCT CUSTOMER DRAWING			
		DRAFT WHERE APPLICABLE MUST REMAIN WITHIN DIMENSIONS	DRAWING SIZE	THIRD ANGLE PROJECTION	SERIES	MATERIAL NUMBER	CUSTOMER	
			D		173708	SEE CHART		
					DOCUMENT NUMBER	DOC TYPE	DOC PART	SHEET NUMBER
					1737080000	PSD	000	1 OF 2

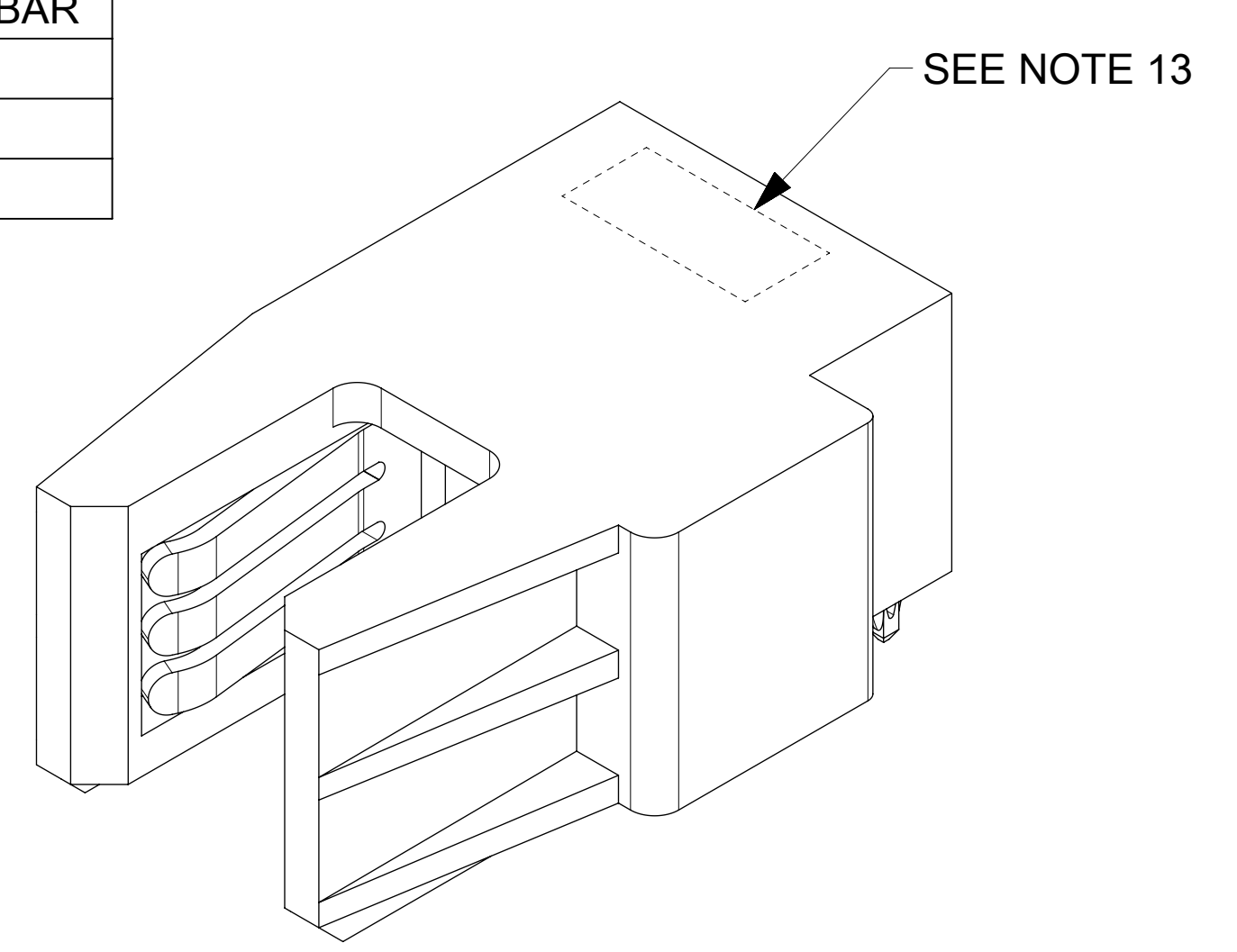
MATES TO 3.00mm BUS BAR
173708-0001
173708-0004
173708-0007



MATES TO 3.18mm BUS BAR
173708-0002
173708-0005
173708-0008



MATES TO 6.10mm BUS BAR
173708-0003
173708-0006
173708-0009



PRE-RELEASE
REFERENCE
USE ONLY

THIS DRAWING CONTAINS INFORMATION THAT IS PROPRIETARY TO MOLEX ELECTRONIC TECHNOLOGIES, LLC AND SHOULD NOT BE USED WITHOUT WRITTEN PERMISSION

EC NO: 118441 DRWN: LZABJANOVSKI CHKD: REV APPR: BPFISZCZOR	2017/06/20	2017/07/06	GENERAL TOLERANCES (UNLESS SPECIFIED)	DIMENSION UNITS	SCALE			
			ANGULAR TOL $\pm 0.5^\circ$	MM	5:1			
			4 PLACES \pm	DRWN BY	DATE		R/A BUSBAR CONNECTOR 1-CKT RECEPTACLE	
			3 PLACES \pm	LZABJANOVSKI	2016/09/08			
			2 PLACES ± 0.13	CHKD BY	DATE	PRODUCT CUSTOMER DRAWING		
			1 PLACE ± 0.25	APPR BY	DATE			
		0 PLACES \pm	JCOMERCI	2016/10/24	SERIES	MATERIAL NUMBER	CUSTOMER	
		DRAFT WHERE APPLICABLE MUST REMAIN WITHIN DIMENSIONS	DRAWING SIZE	THIRD ANGLE PROJECTION	173708	SEE CHART		
A3			D		DOCUMENT NUMBER	DOC TYPE	DOC PART	SHEET NUMBER
					1737080000	PSD	000	2 OF 2

RELEASE STATUS	P1	RELEASE DATE	06.07.2017	16:38:15
----------------	----	--------------	------------	----------