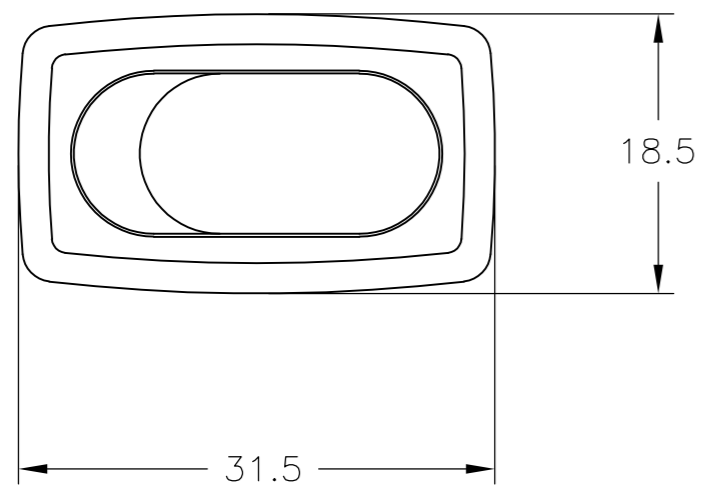
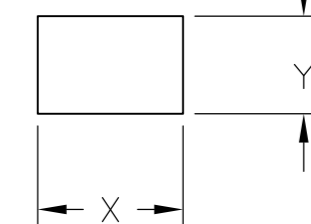


THIS DRAWING IS UNPUBLISHED. RELEASED FOR PUBLICATION
 © COPYRIGHT BY TYCO ELECTRONICS CORPORATION. ALL INTERNATIONAL RIGHTS RESERVED.

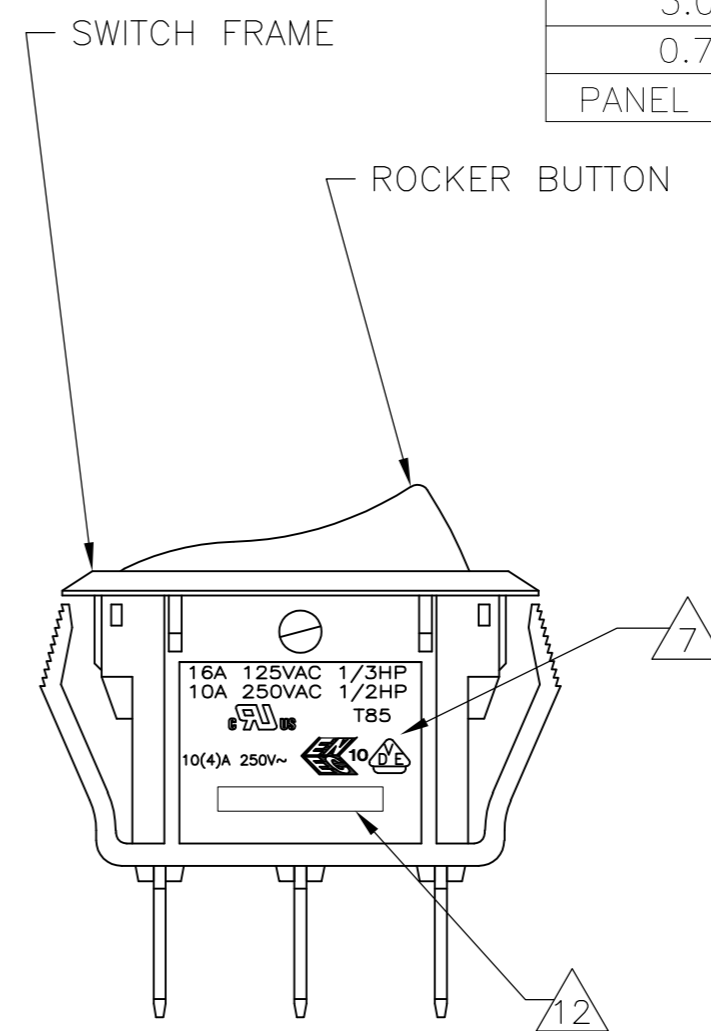
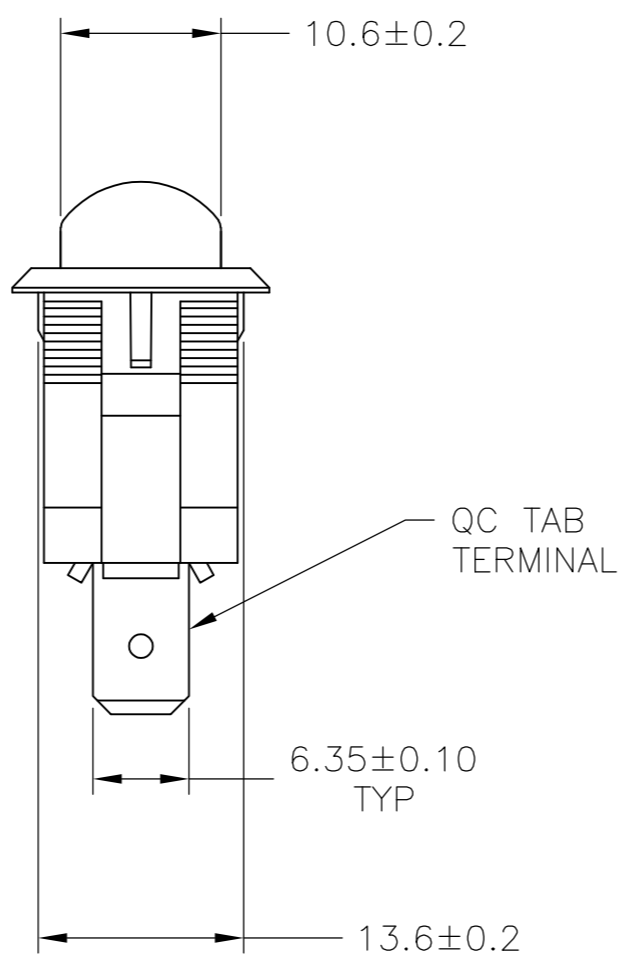
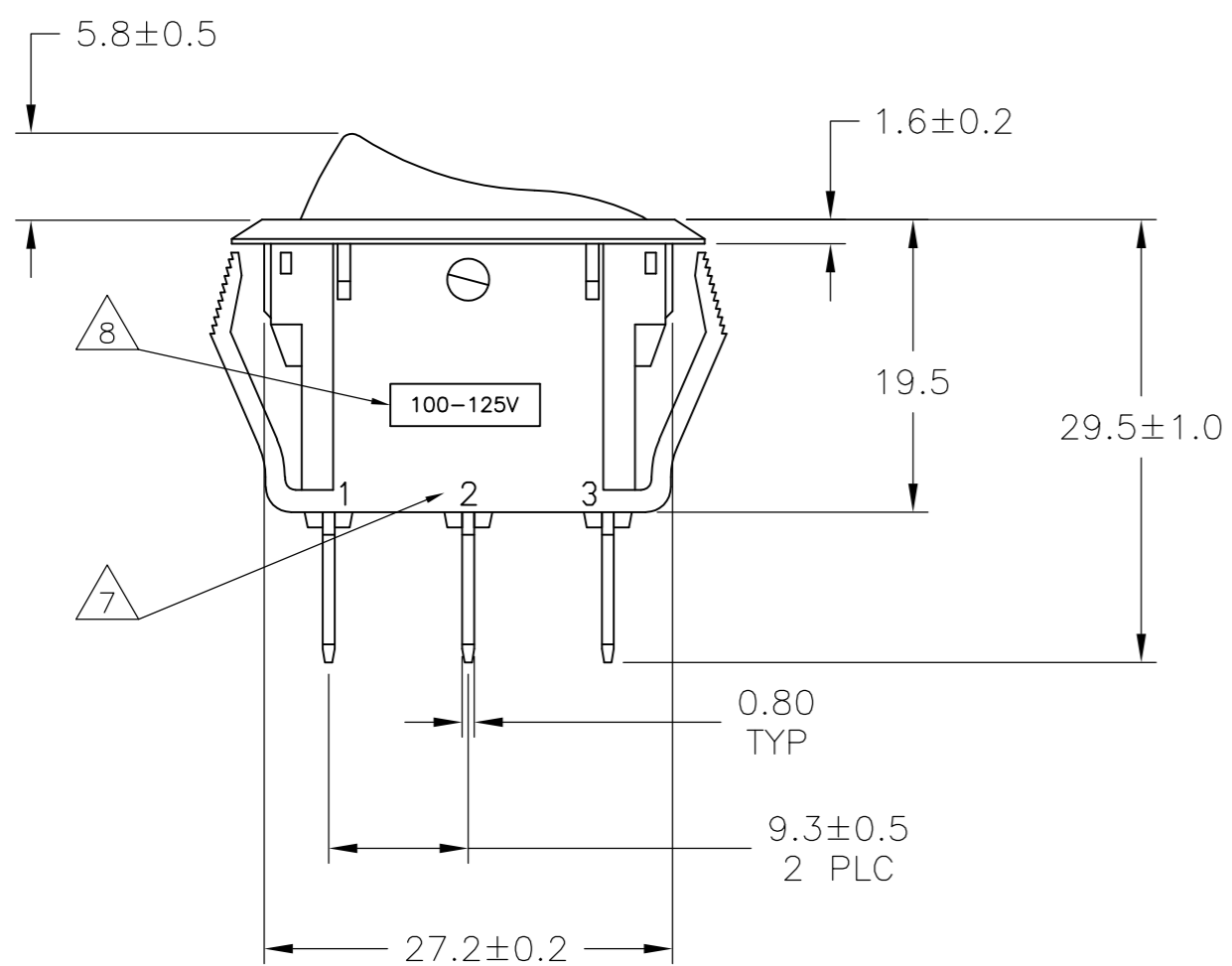
LOC	DIST	REVISIONS			
P	LTR	DESCRIPTION	DATE	DWN	APVD
AD	00	F2 REVISED PER ECO-10-005254	17MAR10	HMR	NE



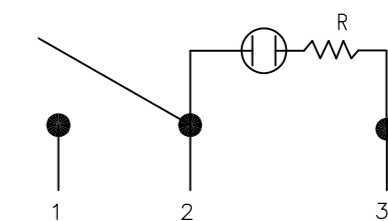
PANEL CUT OUT



4.00-5.00	28.0-0.1	13.8+0.1
3.00-4.00	27.8-0.1	13.8+0.1
0.75-3.00	27.6-0.1	13.8+0.1
PANEL THICKNESS	X	Y



SWITCH FUNCTION B1 & B3
CIRCUIT DIAGRAM



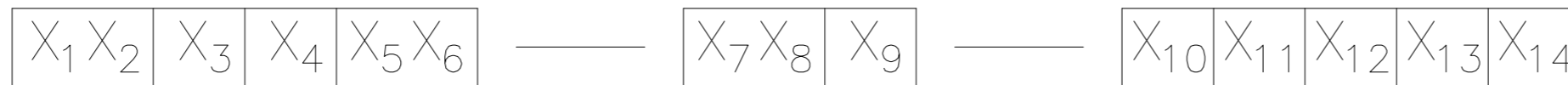
1571092-1 SHOWN

THIS DRAWING IS A CONTROLLED DOCUMENT.		DWN M.BINNER	25FEB2002	Tyco Electronics Corporation Harrisburg, PA 17105-3608	
DIMENSIONS: mm		CHK J.MOSIER	APVD -	NAME POWER ROCKER SWITCH, 13.8mm X 27.6mm PANEL CUT-OUT SIZE, SINGLE POLE, SINGLE THROW, THREE TERMINALS, LAMP-ILLUMINATED	
TOLERANCES UNLESS OTHERWISE SPECIFIED:		PRODUCT SPEC NOT APPLICABLE		SIZE A2	CAGE CODE 00779
0 PLC ± - 1 PLC ± 0.30 2 PLC ± 0.05 3 PLC ± - 4 PLC ± - ANGLES ± -		APPLICATION SPEC NOT APPLICABLE		DRAWING NO C=1571092	
MATERIAL 1	FINISH 2	WEIGHT -		SCALE 2:1	SHEET 1 OF 2
CUSTOMER DRAWING				REV F2	RESTRICTED TO -

THIS DRAWING IS UNPUBLISHED. RELEASED FOR PUBLICATION
 © COPYRIGHT BY TYCO ELECTRONICS CORPORATION. ALL INTERNATIONAL RIGHTS RESERVED.

LOC		DIST		REVISIONS			
AD	00	P	LTR	DESCRIPTION	DATE	DWN	APVD
		-		SEE SHEET 1	-	-	-

LEGACY PART NUMBER



SWITCH TYPE: X1 X2 = PR - POWER ROCKER

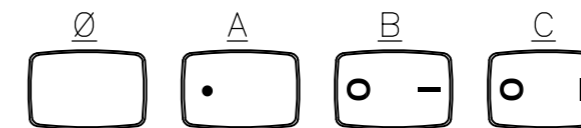
SECONDARY ROCKER COLOR: X12 = Ø - NOT APPLICABLE

NOMINAL PANEL CUT OUT SIZE: X3 = B - 13.8x27.6

NUMBER OF POLES: X4 = S - SINGLE

SWITCH FUNCTION: X5 X6 = B1 - ON-OFF, TRANSPARENT, LAMP ILLUMINATED
 ROCKER BUTTON (100-125 VAC LAMP VOLTAGE)
 B3 - ON-OFF, TRANSPARENT, LAMP ILLUMINATED
 ROCKER BUTTON (200-250 VAC LAMP VOLTAGE)

LEGEND TEXT PATTERN: X13 =



CURRENT RATING: X7 X8 = 16 - △6

TERMINAL TYPE: X9 = F - QC TAB
 L - SOLDER LUG

LEGEND TEXT COLOR: X14 = Ø - NOT APPLICABLE

- G - GREEN
- R - RED
- B - BLACK
- W - WHITE

FRAME COLOR: X10 = B - BLACK
 W - WHITE

ROCKER COLOR: X11 = A - AMBER
 C - CLEAR
 G - GREEN
 R - RED

- 1 MATERIALS:
 LAMP BASE & HOUSING: NYLON 66, UL 94 V-2.
 ROCKER BUTTON: POLYCARBONATE UL 94 V-2.
 TERMINAL (NOS. 1 & 2), ACTIVE CONTACTOR: COPPER ALLOY PER ASTM B152/B152M
 TERMINAL (NO. 3), PLUNGER: COPPER ALLOY PER ASTM B036
 PLUNGER SPRING: STEEL WIRE PER ASTM A228/A228M
 CONTACT: SILVER-TIN OXIDE
 LAMP SPRING: STAINLESS STEEL WIRE
 LAMP: GLASS-ENCLOSED NEON LAMP
 LAMP RESISTOR: 33kΩ 1/8W RATED, (100-125V LAMP VOLTAGE)
 150kΩ 1/8W RATED, (200-250V LAMP VOLTAGE)
- 2 FINISH:
 ACTIVE CONTACTOR, TERMINALS (No. 1&2): 1.0µm MIN SILVER
 PLUNGER: 3.0µm MIN NICKEL
- 3 ELECTRICAL SPECIFICATIONS:
 CURRENT & VOLTAGE: △6
 LAMP VOLTAGE: SWITCH FUNCTION B1, 100-125 VAC
 SWITCH FUNCTION B3, 200-250 VAC
 CONTACT RESISTANCE (INITIAL): <50mΩ
 DIELECTRIC STRENGTH (INITIAL): >1000 VAC, 1 MINUTE
 INSULATION RESISTANCE (INITIAL): >100MΩ MIN (500VDC BETWEEN OPEN CONTACTS)
 INRUSH CURRENT: 50A / 3msec (CAPACITIVE LOAD)
 ELECTRICAL LIFE ENDURANCE: >6000 OPERATIONS,
 TEMPERATURE RISE AT TERMINALS: <30°C, 6000 OPERATIONS
 (AMBIENT CONDITIONS: 25±2°C AND 65±5%RH)
- 4 MECHANICAL SPECIFICATIONS:
 ACTUATING FORCE: 300g MIN, 700g MAX
 OPERATING LIFE ENDURANCE: >100,000 OPERATIONS
 TERMINAL RETENTION STRENGTH: >2.5kg- SOLDER LUG
 >10.0kg- QC TAB

- 5 ENVIRONMENTAL SPECIFICATIONS:
 AMBIENT TEMPERATURE: -20°C TO +85°C
 HUMIDITY: MAX 85%
 SALT SPRAY: NO REMAKABLE RUST IN METAL PARTS. (5%SALT / 35°C 24HRS)
 SHOCK: NO MECHANICAL DEFECT OR DAMAGE. (100g / 10MSEC/ X,Y,Z 3 TIMES)
 VIBRATION: NO MECHANICAL DEFECT OR DAMAGE. (10-55Hz /1.5mm/ X,Y,Z 2HRS)
 DEGREE OF PROTECTION: IP40
- 6 UL: 16A@125VAC 1/3 HP/10A@250VAC 1/2 HP
 ENEC: 10(4)A 250V~
- 7 ELECTRICAL RATINGS, APPROVED AGENCY LOGOS, TERMINAL IDENTIFICATION
 NUMBERS, MOLDED APPROXIMATELY AS SHOWN ON THE SIDES OF THE SWITCH
 HOUSING.
- 8 THE LAMP VOLTAGE RATING IS LISTED ON THE LABEL LOCATED ON THE SIDE
 OF THE SWITCH HOUSING, APPROXIMATELY AS SHOWN.
- 9 COMPONENT RECOGNIZED TO US & CANADIAN STANDARDS, UL FILE NO. E46765.
- 10 COMPONENT-RECOGNIZED TO EUROPEAN STANDARDS
 (ENEC & VDE) MARKS LICENSE NO 40020315
- 11 ROHS 2002/95/EC COMPLIANT
- △12 TYCO ELECTRONICS LOGO LOCATED APPROXIMATELY AS SHOWN

PRBSB1-16F-BC000	1571092-4
PRBSB1-16F-BA000	1571092-3
PRBSB1-16F-BROBW	1571092-2
PRBSB1-16F-BR000	1571092-1
LEGACY PART NUMBER	PART NUMBER

THIS DRAWING IS A CONTROLLED DOCUMENT.		DWN	25FEB2002	Tyco Electronics Corporation	
DIMENSIONS: mm		CHK	M.BINNER	Harrisburg, PA 17105-3608	
TOLERANCES UNLESS OTHERWISE SPECIFIED:		APVD	J.MOSIER	NAME	
0 PLC ± -		PRODUCT SPEC	-	POWER ROCKER SWITCH, 13.8mm X 27.6mm	
1 PLC ± 0.30		APPLICATION SPEC	-	PANEL CUT-OUT SIZE, SINGLE POLE, SINGLE	
2 PLC ± 0.05		WEIGHT	-	THROW, THREE TERMINALS, LAMP-ILLUMINATED	
3 PLC ± -		SIZE	A2	CAGE CODE	00779
4 PLC ± -		DRAWING NO	C=1571092		RESTRICTED TO
ANGLES ± -		SCALE	1:1		SHEET 2 of 2
FINISH		REV	F2		
MATERIAL		CUSTOMER DRAWING			