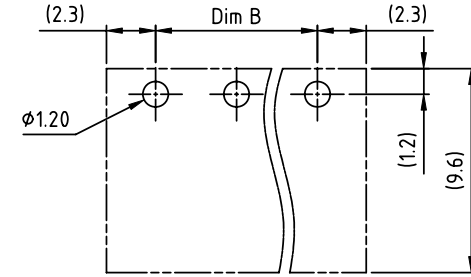
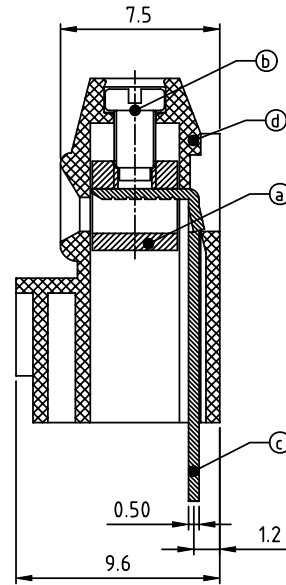
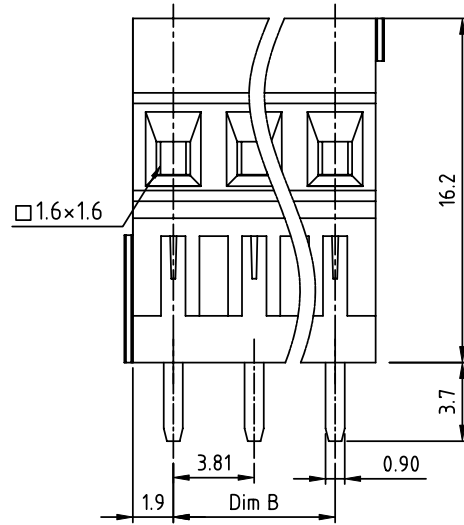
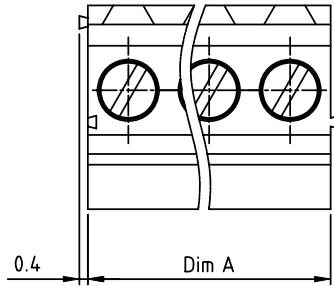


PRODUCT NUMBER	PITCH
YPxx21x000J0G	3.81 mm



RECOMMENDED P.C.B LAYOUT
TOP VIEW

Material

- Item ① Clamp : Brass , Ni plated
- Item ② Terminal screw : Steel Zinc plating "-" slot type
- Item ③ Solder pin : Brass ,Tin plated
- Item ④ Terminal housing : Thermoplastic (UL94V-0)

Electrical cULus

- Voltage rating: 300VAC
- Current rating: 10A
- Wire range:
- Solid wire(AWG): 16-24
- Stranded wire(AWG): 16-24
- Torque(Lb-In): 1.7
- Screw: M2
- Wire strip length: 5-6mm
- Withstanding Voltage: 1.6KV
- Operating temperature: -40°C to +115°C
- Soldering temperature: 260°C±5°C/5 Sec
- Safety Approval : cULus

Dimension A&B

Dim A	Nx3.81
Dim B	(N-1)x3.81

N=Number of poles

Poles	DimA&B Tolerance
2P-5P	±0.15
6P-10P	±0.20
11P-16P	±0.30
17P-24P	±0.40

PART NO.: YP xx 2 1 x 0 00J0 G

Solid Block	0	Color	Black (RAL9005)	RoHS compliant (lead<4%) In copper Alloy
No. of poles	2		Red (RAL3001/D)	
	02	2 poles	3 Orange(RAL2011/P)	
	03	3 poles	4 Yellow(RAL1018/A)	
	5 Green(RAL6018/T)	
	24	24 poles	6 Blue (RAL5015/A)	
			8 Grey(RAL7035/D)	
			9 White(RAL1102)	
			C Green(RAL6018/U)	

mat'l. code		surface ASME Y14.5	tolerance ASME Y14.5	projection	product family TERMINAL BLOCK
ltr	ecn no	dr	date	 MM	title TERMINAL BLOCK
tolerances unless otherwise specified					
angles		X.±0.5		scale	RISING CLAMP,180D WIRE INLET,SOLID TYPE dwg no YPxx21x000J0G sheet 1 of 1 size A4 type CUSTOMER Drawing
X*±1°		X.XX±0.3			
dr		EVIN ZHONG 040714			
enr		EVIN ZHONG 040714			
chr		HANKE FENG 040714			
appd		SHI JUN 040714			
sheet index	revision sheet	A 1			