

# Customer Information Sheet

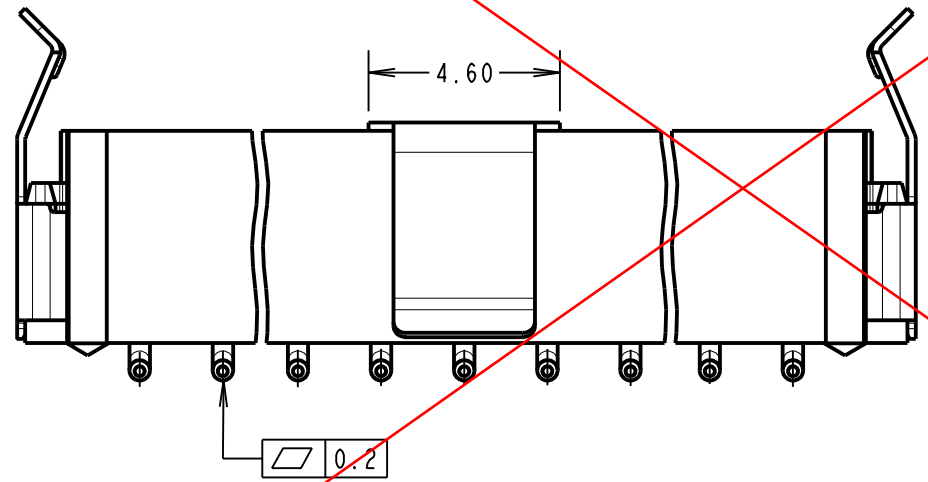
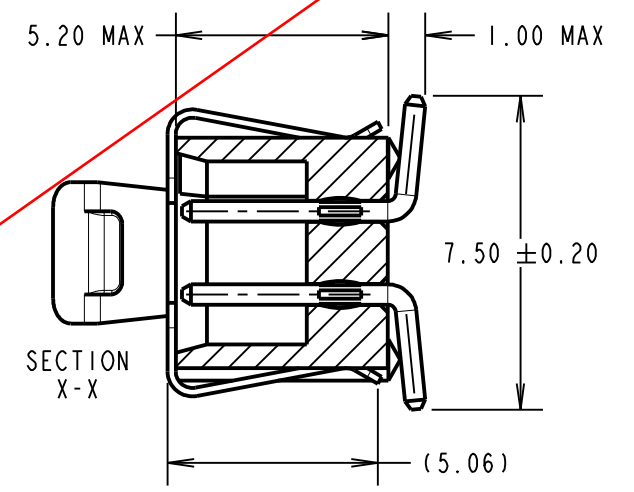
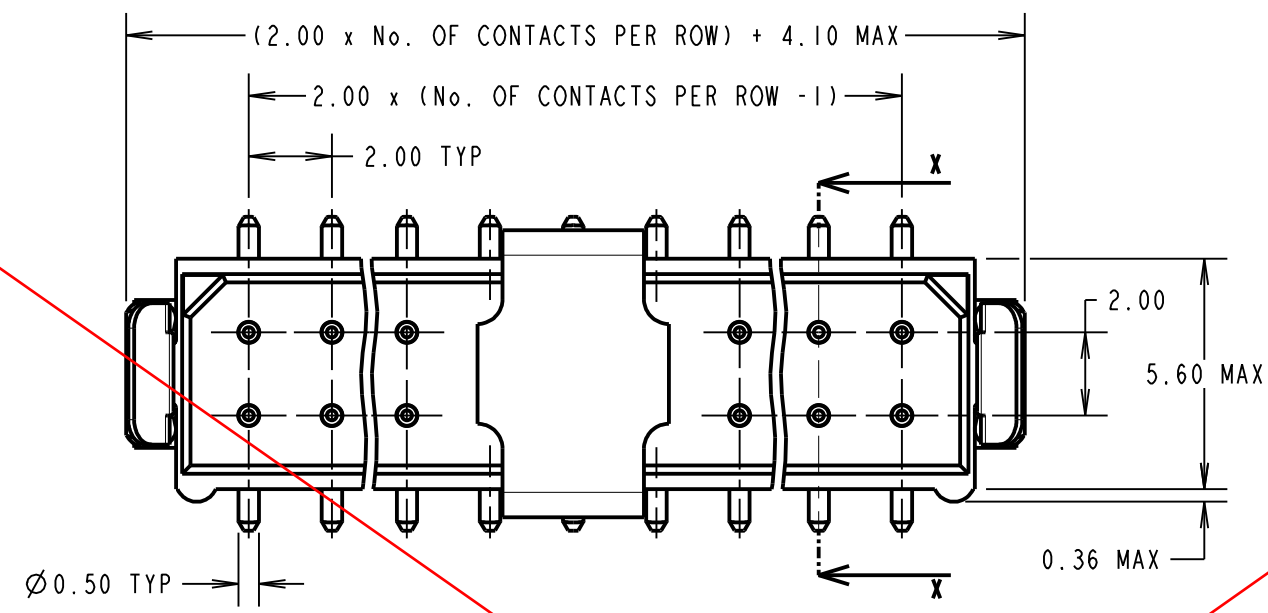
DRAWING No.: M80-827XXXXP SHEET 2 OF 2 IF IN DOUBT - ASK (C) NOT TO SCALE THIRD ANGLE PROJECTION ALL DIMENSIONS IN mm

ORDER CODE:  
**M80-827XXXXP**

TOTAL No. OF CONTACTS:  
 04, 06, 08, 10, 12, 14  
 16, 18, 20, 26, 34

FINISH:  
 22 - SELECTIVE GOLD + TIN/LEAD  
 42 - SELECTIVE GOLD + 100% TIN  
 45 - GOLD

**OBSOLETE**



NOTES:  
 1. 2-OFF STRAIN RELIEF STRAPS  
 M80-0030006 MAY BE USED WITH  
 THIS CONNECTOR.

SPECIFICATIONS:

MATERIAL:  
 MOULDING = G-F PPS UL94V-0, BLACK  
 CONTACTS = PHOSPHOR BRONZE  
 LATCHES = BERYLLIUM COPPER  
 PICK/PLACE CAP = PHOSPHOR BRONZE

FINISH:  
 CONTACTS:  
 22 = 0.75µ GOLD ON CONTACT AREA,  
 3.0µ 90/10 TIN/LEAD ON TAILS  
 42 = 0.75µ GOLD ON CONTACT AREA,  
 3.0µ 100% TIN OVER NICKEL ON TAILS  
 45 = 0.75µ GOLD ALL OVER  
 LATCH = 1.25µ NICKEL

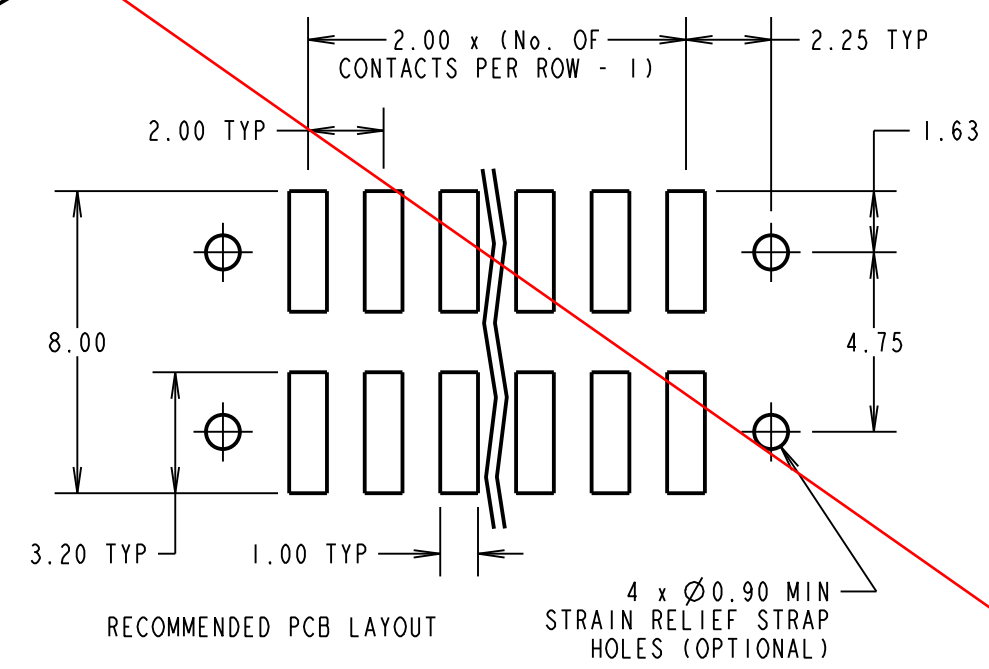
ELECTRICAL:  
 CURRENT RATING AT 25°C = 3.0A MAX  
 CURRENT RATING AT 85°C = 2.2A MAX  
 WORKING VOLTAGE = 800V AC/DC  
 VOLTAGE PROOF = 1200V AC/DC  
 CONTACT RESISTANCE (INITIAL) = 20mΩ MAX  
 CONTACT RESISTANCE (AFTER CONDITIONING) = 25mΩ MAX  
 INSULATION RESISTANCE (INITIAL) = 1,000MΩ MIN  
 INSULATION RESISTANCE (AFTER CONDITIONING) = 100MΩ MIN

MECHANICAL:  
 DURABILITY = 500 OPERATIONS

ENVIRONMENTAL:  
 TEMPERATURE RANGE = -55°C TO +125°C

PACKING:  
 TUBE

FOR COMPLETE SPECIFICATION, SEE COMPONENT SPECIFICATION C005XX (LATEST ISSUE)



MSP	9	21.12.15	12814
NAME	ISS.	DATE	C/NOTE
APPROVED:		M.PERREN	
CHECKED:		S.BENNETT	
DRAWN:		J. EVANS	
CUSTOMER REF.:			
ASSEMBLY DRG:			

<p>www.harwin.com                  technical@harwin.com</p>	THIS DRAWING AND ANY INFORMATION OR DESCRIPTIVE MATTER SET OUT HEREON ARE CONFIDENTIAL AND COPYRIGHT PROPERTY OF THE HARWIN GROUP AND MUST NOT BE DISCLOSED, LOANED, COPIED OR USED FOR MANUFACTURING, TENDERING OR FOR ANY OTHER PURPOSE WITHOUT THEIR WRITTEN PERMISSION.	TOLERANCES X. = ±1mm X.X = ±0.50mm X.XX = ±0.10mm X.XXX = ±0.01mm ANGLES = ±5° UNLESS STATED	MATERIAL: SEE ABOVE	TITLE: DATAMATE L-TEK MALE DIL VERTICAL SMT ASSY. FRICTION LATCH, P/PLACE
			FINISH: SEE ABOVE S/AREA: mm <sup>2</sup>	DRAWING NUMBER: <b>M80-827XXXXP</b>