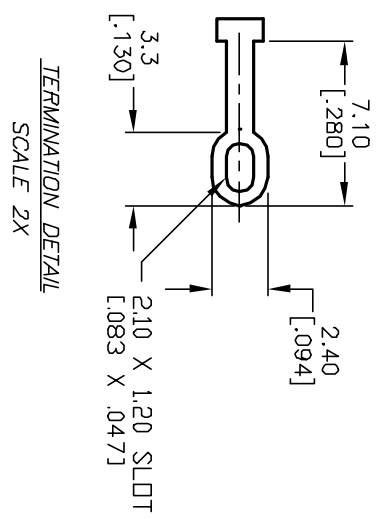
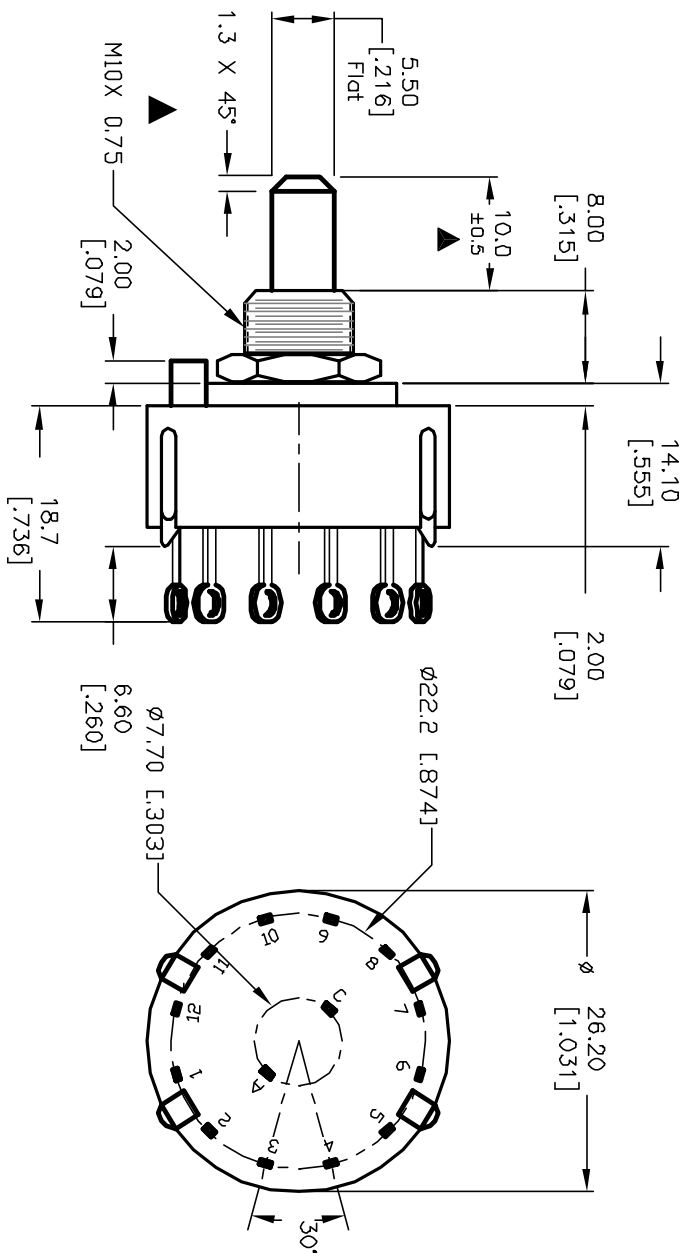
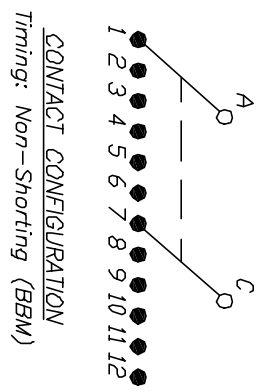
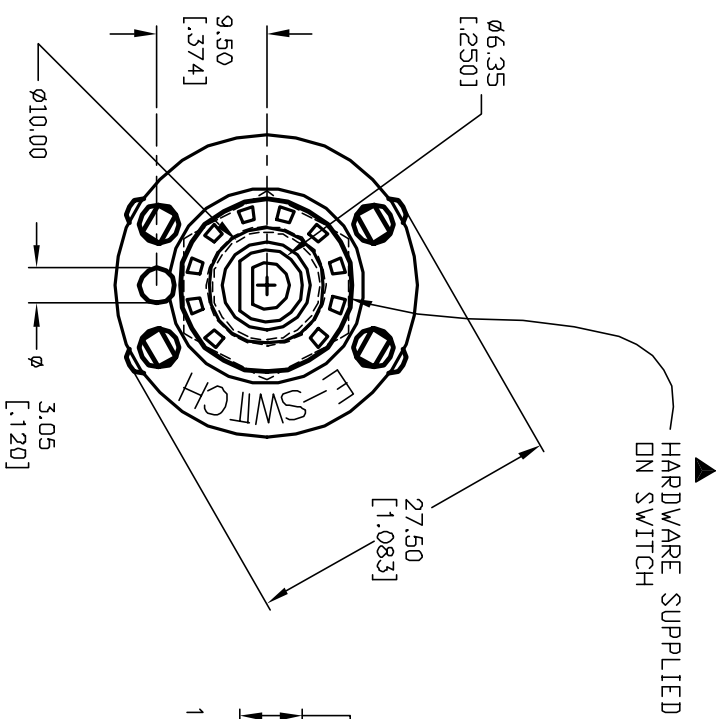


- NOTES:
1. ALL DIMENSION IN MM [INCH]
  2. GENERAL TOLERANCE: X.X=±0.4  
X.XX=±0.25
  3. TERM. NOS. FOR REF. ONLY
  4. CONTACT RATING SWITCHING: 150mA, 250V AC/DC  
350mA, 110V AC/DC
  5. OPERATING FORCE: 425±100 CM/STANDARD
  6. OPERATING TEMP: -30° to 85°C
  7. CIRCUIT DP: 6 POSITIONS, 30° INDEX.
  8. DIELECTRIC STRENGTH: 1000V RMS min.@Sea Level
  9. DESIGNATE MAJOR DIMENSIONS
  10. HARDWARE SUPPLIED ON SWITCH- SEE BELOW  
STOPRING, LOCKWASHER, & HEXNUT



REVISE NOTE 10		8/29/02	CJB	TITLE		KC-26-A (10.0mm) 02-N-L-S		SCALE		1.5:1	DATE	8/28/02	DR	CJB	DWG	G510405	REV	B
A	12821	RELEASED FOR PRODUCTION	8/29/02	CJB	DESCRIPTION		DATE	CHKD										
A	12392																	
REV.	ECN No.																	

THE INFORMATION CONTAINED IN THIS DOCUMENT IS PROPRIETARY TO E-SWITCH AND IS NOT TO BE COPIED OR TRANSFERRED

**E-SWITCH®**