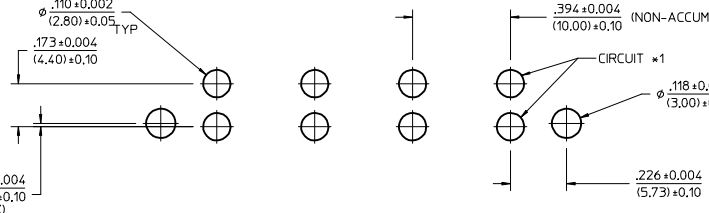
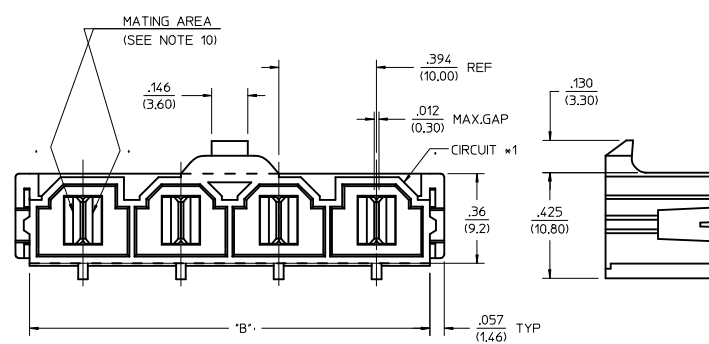
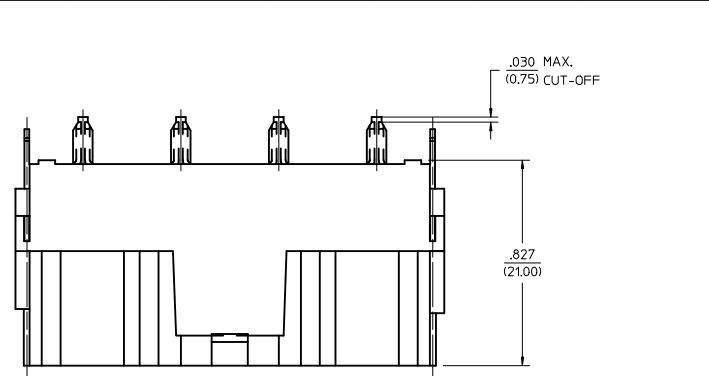
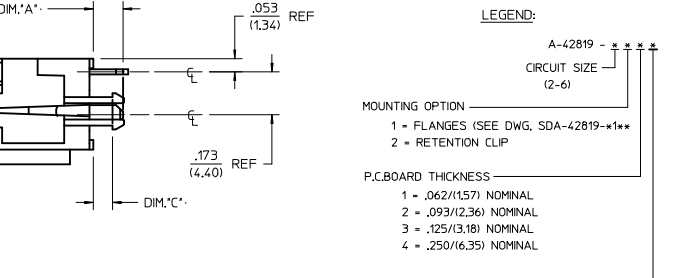


ITEM NUMBER	CKT. SIZE	DIM. "A"	DIM. "B"	DIM. "C"	TERMINAL PLATING	CLIP PLATING	STATUS
42819-2213	2	.138/(3.50)	.823/(20.90)	.071/(1.80)			
42819-2223	2	.201/(5.10)	.823/(20.90)	.102/(2.60)			
42819-2233	2	.201/(5.10)	.823/(20.90)	.134/(3.40)			
42819-2243	2	.327/(8.30)	.823/(20.90)	.259/(6.58)			
42819-3213	3	.138/(3.50)	1.216/(30.90)	.071/(1.80)			
42819-3223	3	.201/(5.10)	1.216/(30.90)	.102/(2.60)			
42819-3233	3	.201/(5.10)	1.216/(30.90)	.134/(3.40)			
42819-3243	3	.327/(8.30)	1.216/(30.90)	.259/(6.58)	SELECT GOLD IN CONTACT AREA (SEE LEGEND)		ACTIVE
42819-4213	4	.138/(3.50)	1.610/(40.90)	.071/(1.80)			
42819-4223	4	.201/(5.10)	1.610/(40.90)	.102/(2.60)			
42819-4233	4	.201/(5.10)	1.610/(40.90)	.134/(3.40)			
42819-4243	4	.327/(8.30)	1.610/(40.90)	.259/(6.58)	SELECT MATTE TIN ON SOLDER TAILS		
42819-5213	5	.138/(3.50)	2.004/(50.90)	.071/(1.80)			
42819-5223	5	.201/(5.10)	2.004/(50.90)	.102/(2.60)			
42819-5233	5	.201/(5.10)	2.004/(50.90)	.134/(3.40)			
42819-5243	5	.327/(8.30)	2.004/(50.90)	.259/(6.58)			
42819-6213	6	.138/(3.50)	2.398/(60.90)	.071/(1.80)			
42819-6223	6	.201/(5.10)	2.398/(60.90)	.102/(2.60)			
42819-6233	6	.201/(5.10)	2.398/(60.90)	.134/(3.40)			
42819-6243	6	.327/(8.30)	2.398/(60.90)	.259/(6.58)			
42819-2214	2	.138/(3.50)	.823/(20.90)	.071/(1.80)			
42819-2224	2	.201/(5.10)	.823/(20.90)	.102/(2.60)			
42819-2234	2	.201/(5.10)	.823/(20.90)	.134/(3.40)			
42819-2244	2	.327/(8.30)	.823/(20.90)	.259/(6.58)			
42819-3214	3	.138/(3.50)	1.216/(30.90)	.071/(1.80)			
42819-3224	3	.201/(5.10)	1.216/(30.90)	.102/(2.60)			
42819-3234	3	.201/(5.10)	1.216/(30.90)	.134/(3.40)	SELECT SILVER IN CONTACT AREA (SEE LEGEND)		ACTIVE
42819-4214	4	.138/(3.50)	1.610/(40.90)	.071/(1.80)			
42819-4224	4	.201/(5.10)	1.610/(40.90)	.102/(2.60)			
42819-4234	4	.201/(5.10)	1.610/(40.90)	.134/(3.40)	SELECT MATTE TIN ON SOLDER TAILS		
42819-4244	4	.327/(8.30)	1.610/(40.90)	.259/(6.58)			
42819-5214	5	.138/(3.50)	2.004/(50.90)	.071/(1.80)			
42819-5224	5	.201/(5.10)	2.004/(50.90)	.102/(2.60)			
42819-5234	5	.201/(5.10)	2.004/(50.90)	.134/(3.40)			
42819-5244	5	.327/(8.30)	2.004/(50.90)	.259/(6.58)			
42819-6214	6	.138/(3.50)	2.398/(60.90)	.071/(1.80)			
42819-6224	6	.201/(5.10)	2.398/(60.90)	.102/(2.60)			
42819-6234	6	.201/(5.10)	2.398/(60.90)	.134/(3.40)			
42819-6244	6	.327/(8.30)	2.398/(60.90)	.259/(6.58)			

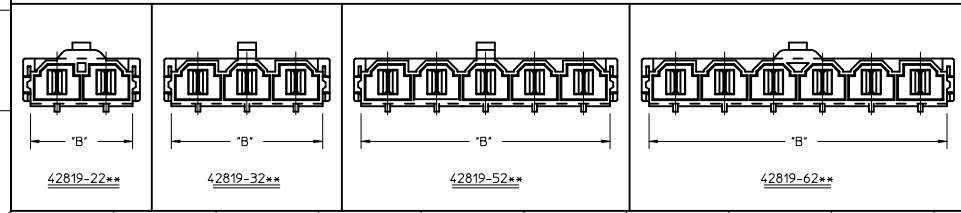


**NOTES:**  
1) MATERIAL:  
HOUSING MATERIAL: 30%GLASS-FILLED NYLON4/6. UL 94V-0. COLOR: BLACK.  
TERMINAL MATERIAL: ALLOY 151.  
2) FINISH: 2 = .000100/(.00254) MIN. \*TIN OVER .000050/(.00127) MIN. NICKEL.  
3 = .000030/(.00076) MIN. SELECT GOLD IN CONTACT AREA, .000100/(.00254) MIN. SELECT \*TIN ON SOLDER TAILS OVER .000050/(.00127) MIN NICKEL.  
4 = .000100/(.00254) MIN. SELECT SILVER IN CONTACT AREA .000100/(.00254) MIN. SELECT TIN ON SOLDER TAILS OVER .000050/(.00127) MIN. NICKEL.  
\* THE PRIMARY SHIPPING CARTON WILL BE LABELED "COMPLAINT TO ROHS DIRECTIVE 2002/95/EC AND ELV ANNEX II OF DIRECTIVE 2000/53/EC". CARTONS WITHOUT THIS LABEL MAY CONTAIN PRODUCT WITH TIN-LEAD.  
3) PRODUCT SPECIFICATION: PS-42819-001  
4) PACKAGING INFORMATION: PK-42819-2375  
5) PART MATES WITH MOLEX RECEPTACLE #42816-\*\*\*2 WITH T.P.A.  
6) PART IS DESIGNED IN METRIC.  
7) AN "X" IN FRONT OF THE ITEM NUMBER INDICATES THE PART IS NOT TOOLED.  
8) THIS PART MEETS UL 1950 REQUIREMENTS FOR CREEPAGE AND CLEARANCE AT 600 VAC AND 840 VDC.  
9) PARTS ARE NOT TO BE MATED OR UNMATED WHILE CIRCUITS ARE LIVE.  
10) WHEN USING OVERALL TIN PLATED TERMINALS: FOR APPLICATIONS INVOLVING VIBRATION AND/OR THERMAL CYCLING, MOLEX STRONGLY RECOMMENDS THE USE OF NYE LUBRICANT (NYOGEL 7600) ON THE MATING SURFACES OF THE TERMINAL.  
11) PARTS CONFORMS TO CLASS 'B' REQUIREMENTS OF COSMETIC SPECIFICATION PS-45499-002  
12) BOARD CLIP HOLE MAY OR MAY NOT BE PLATED. REFER TO CHART FOR PLATED / UNPLATED CLIPS.  
13) REFER AS-42815-001 FOR TIN PLATED TERMINALS RECOMMENDED LUBRICATION PROCEDURE.



RECOMMENDED P.C. BOARD PLATED-THRU HOLE LAYOUT (4 CKT.SHOWN FOR REF.)

HEADER WITH VERTICAL TERMINAL & CLIP ISO VIEW



NEW SILVER PLATING ELECT. CONDUCTIVE E/C REV: 01/2015-2752 DRAWN: 2014/02/12 CHKD: APPR:KPRASAD DATE: 2015/02/09	QUALITY SYMBOLS	GENERAL TOLERANCES (UNLESS SPECIFIED)	DIMENSION STYLE	SCALE	DESIGN UNITS	THIRD ANGLE PROJECTION
	▽=0	4 PLACES ±--- ±---	IN/MM	4:1	METRIC	☉
	▽=0	3 PLACES ±--- ±---	DRAWN BY	DATE	TITLE	
	▽=0	2 PLACES ±0.25 ±---	GES	2014/02/12	VERTICAL HEADER ASSEMBLY MINIFIT SR. SERIES	
		1 PLACE ±0.4 ±---	CHECKED BY	DATE		
		0 PLACE ±--- ±---	BRO2	2014/02/13		
		ANGULAR ±1/2°	APPROVED BY	DATE		
		DRAFT WHERE APPLICABLE MUST REMAIN WITHIN DIMENSIONS	KPRASAD	2015/02/09		
			MATERIAL NO.	DOCUMENT NO.		
			SEE CHART	SDA-42819-0002		
			THIS DRAWING CONTAINS INFORMATION THAT IS PROPRIETARY TO MOLEX INCORPORATED AND SHOULD NOT BE USED WITHOUT WRITTEN PERMISSION			
					SHEET NO.	
					1 OF 2	

	20	19	18	17	16	15	14	13	12	11	10	9	8	7	6	5	4	3	2	1
	ITEM NUMBER	CKT. SIZE	DIM. "A"	DIM. "B"	DIM. "C"	TERMINAL PLATING	CLIP PLATING	STATUS												
M	42819-2212	2	.138/(3.50)	.823/(20.90)	.071/(1.80)			PLANNED FOR OBSOLESCENCE												
	42819-2222	2	.201/(5.10)	.823/(20.90)	.102/(2.60)															
	42819-2229	2	.201/(5.10)	.823/(20.90)	.102/(2.60)															
	42819-2232	2	.201/(5.10)	.823/(20.90)	.134/(3.40)															
	42819-2242	2	.327/(8.30)	.823/(20.90)	.259/(6.58)															
L	42819-3212	3	.138/(3.50)	1.216/(30.90)	.071/(1.80)															
	42819-3222	3	.201/(5.10)	1.216/(30.90)	.102/(2.60)															
	42819-3232	3	.201/(5.10)	1.216/(30.90)	.134/(3.40)															
	42819-3242	3	.327/(8.30)	1.216/(30.90)	.259/(6.58)															
	42819-4212	4	.138/(3.50)	1.610/(40.90)	.071/(1.80)	OVERALL BRIGHT TIN	NONE													
	42819-4222	4	.201/(5.10)	1.610/(40.90)	.102/(2.60)															
K	42819-4232	4	.201/(5.10)	1.610/(40.90)	.134/(3.40)															
	42819-4242	4	.327/(8.30)	1.610/(40.90)	.259/(6.58)															
	42819-5212	5	.138/(3.50)	2.004/(50.90)	.071/(1.80)															
	42819-5222	5	.201/(5.10)	2.004/(50.90)	.102/(2.60)															
	42819-5232	5	.201/(5.10)	2.004/(50.90)	.134/(3.40)															
J	42819-5242	5	.327/(8.30)	2.004/(50.90)	.259/(6.58)															
	42819-6212	6	.138/(3.50)	2.398/(60.90)	.071/(1.80)															
	42819-6222	6	.201/(5.10)	2.398/(60.90)	.102/(2.60)															
	42819-6232	6	.201/(5.10)	2.398/(60.90)	.134/(3.40)															
I	42819-6242	6	.327/(8.30)	2.398/(60.90)	.259/(6.58)															

<b>SEE SHEET 1</b> EEC NO: UCP2015-2752 DRAWN BY: 2014/02/12 CHKD: E8 APPR: KPRASAD 2015/02/09	QUALITY SYMBOLS	GENERAL TOLERANCES (UNLESS SPECIFIED)	DIMENSION STYLE	SCALE	DESIGN UNITS	THIRD ANGLE PROJECTION
	▽=0	4 PLACES ± mm INCH	IN/MM	1:2	METRIC	☉
	▽=0	3 PLACES ± 0.25	DRAWN BY DATE	VERTICAL HEADER ASSEMBLY MINIFIT SR. SERIES <b>molex</b>		
	▽=0	2 PLACES ± 0.4	CHECKED BY DATE	MATERIAL NO. SDA-42819-0002 DOCUMENT NO. SDA-42819-0002 SHEET NO. 2 OF 2		
	1 PLACE ±	APPROVED BY DATE	THIS DRAWING CONTAINS INFORMATION THAT IS PROPRIETARY TO MOLEX INCORPORATED AND SHOULD NOT BE USED WITHOUT WRITTEN PERMISSION			
	0 PLACE ±		DRAFT WHERE APPLICABLE MUST REMAIN WITHIN DIMENSIONS			