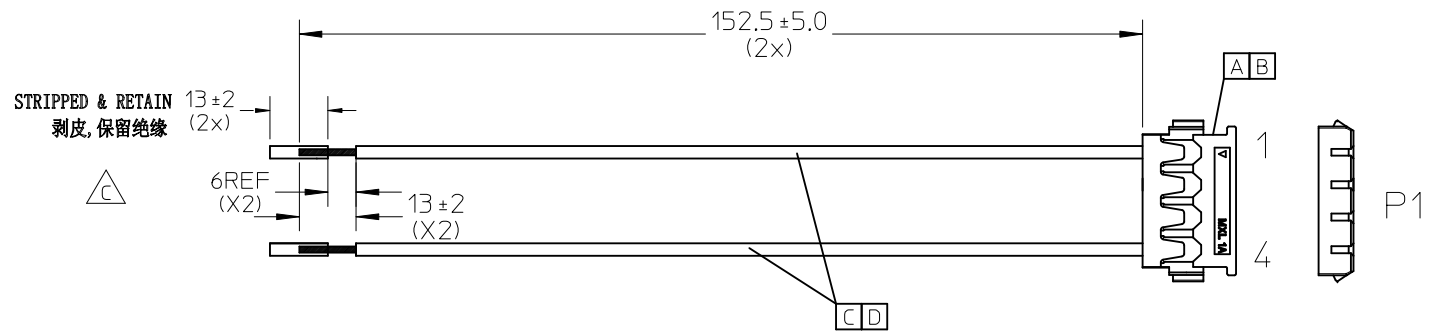


REVISIONS				
EC NO	DATE	REV	DESCRIPTION	CHANGER
	12.12.24	A	INITIAL RELEASE.	JORRY
CY13-5879	13.01.09	B	CHG. TITLE	JORRY
CY13-5952	13.01.22	C	CHG, SRTIPPED LENGTH	JORRY



NOTES

- THIS PRODUCT MUST MEET EU 2011/65/EU ROHS COMPLIANCE.
此产品需符合EU 2011/65/EU ROHS 环保要求
- ELECTRICAL PERFORMANCE REFER TO ES-000.
电气特性参考ES-000.
- 28AWG WIRE SPEC.(线的规格)
 - 1) WIRE OD:0.7+/-0.05MM,
 - 2) WIRE INSULATION: FEP
 - 3) CONDUCTOR:7/0.127 TINNED COPPER
 - 4)UL STYLE:UL1371
 - 5)TEMPERATURE RATING:105℃
 - 6) RATED VOLTAGE:300V
- STICK UL LABEL ON THE OUTSIDE CARTON.
外箱上贴UL 标签

D	28AWG,FEP,RED,OD:0.7MM,UL1371,VW-1.	A/R	
C	28AWG,FEP,BLACK,OD:0.7MM,UL1371,VW-1.	A/R	
B	TERMINAL 28-30AWG		2
A	4CKT HSG.WHITE		1
ITEM	DESCRIPTION	L(MM)	Q'TY

P1	COLOR
1	RED
2	
3	
4	BLACK

EC NO: CPG2013-2384 DRWN: CXIA003 CHKD: JDUAN APPR: FNIE	2013/01/23 2013/01/23 2013/01/24	QUALITY SYMBOLS $F=0$ $F=0$ $F=0$	GENERAL TOLERANCES (UNLESS SPECIFIED) mm INCH 4 PLACES ± --- ± --- 3 PLACES ± --- ± --- 2 PLACES ± --- ± --- 1 PLACE ± --- ± --- 0 PLACE ± --- ± --- ANGULAR ± ---° DRAFT WHERE APPLICABLE MUST REMAIN WITHIN DIMENSIONS	DIMENSION STYLE MM ONLY		SCALE ---	DESIGN UNITS METRIC	THIRD ANGLE PROJECTION
				DRAWN BY CXIA003	DATE 2012/12/25	TITLE 2PINS WIRING PICO EZMATE 6" 28AWG	MATERIAL NO. 688014146	
THIS DRAWING CONTAINS INFORMATION THAT IS PROPRIETARY TO MOLEX INCORPORATED AND SHOULD NOT BE USED WITHOUT WRITTEN PERMISSION				SIZE A 4				