

THIS DRAWING IS UNPUBLISHED.

RELEASED FOR PUBLICATION

ALL RIGHTS RESERVED.

© COPYRIGHT - By -

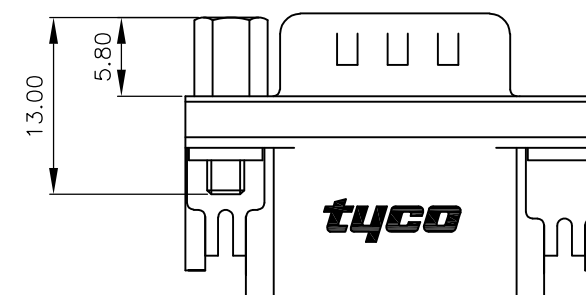
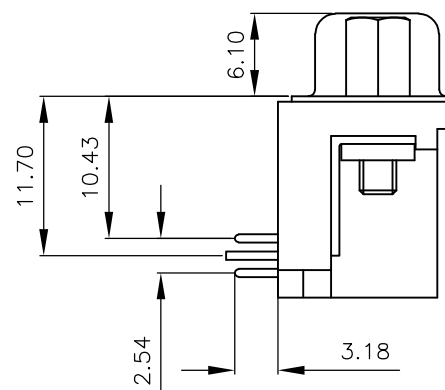
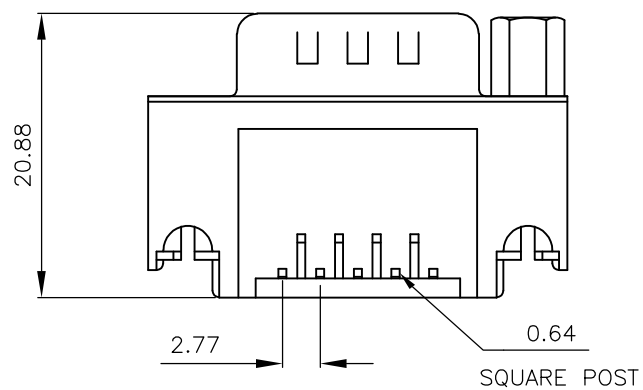
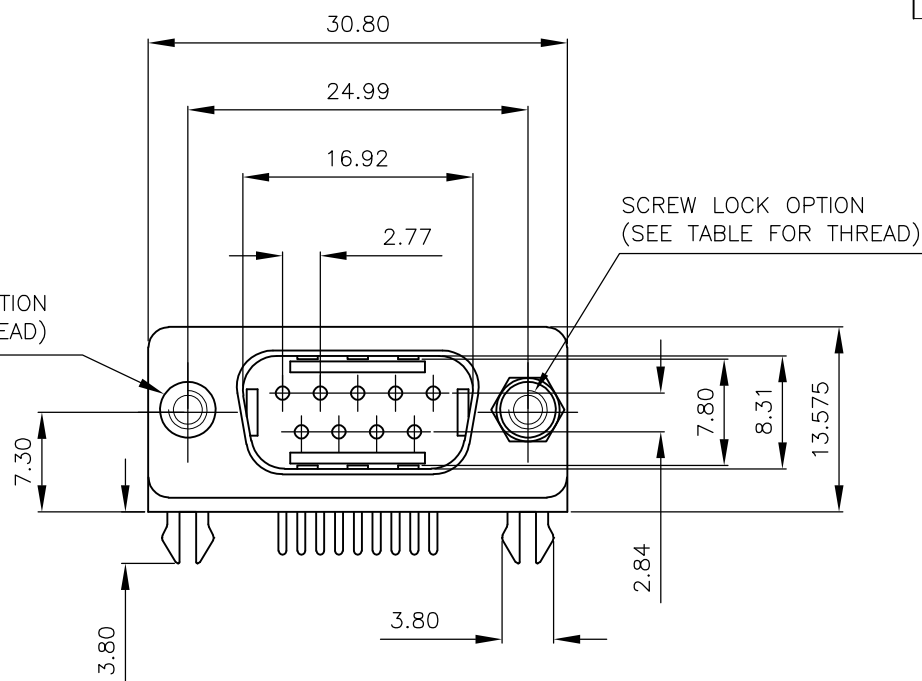
LOC	DIST	REVISIONS			
P	LTR	DESCRIPTION	DATE	DWN	APVD
E	B	C	REVISED PER ECO-14-000651	05FEB2014	AP SB

- FOR LOCAL DATA REFER TO YOUR LOCAL TE CONNECTIVITY SALES OFFICE.
- ALL DIMENSIONS ARE NOMINAL FOR REFERENCE ONLY UNLESS OTHERWISE STATED.
- MATERIAL :  
HOUSING : THERMOPLASTIC, UL94V-0  
BLACK COLOR  
CONTACTS : BRASS  
SHELL : STEEL  
BOARDLOCK : BRASS  
SCREW : BRASS
- FINISH :  
CONTACT : 0.38µm MIN.GOLD PLATED ON CONTACT AREA  
2.54µm MIN. TIN PLATED ON SOLDER TAILS  
1.27µm MIN. NICKEL UNDERPLATED OVERALL  
SHELL : 2.54 µm MIN NICKEL PLATED.  
BOARD LOCK : 1.52µm MIN. TIN PLATED  
SCREW : 1.27µm MIN. NICKEL PLATED.
- CHARACTERISTICS  
CURRENT RATING : 5A  
INSULATION RESISTANCE : 1000MOHMS MIN, 500VDC FOR 2MINS.  
TEMPERATURE RATING : -55DEGC ~ +105DEGC  
VOLTAGE RATING : 250VDC

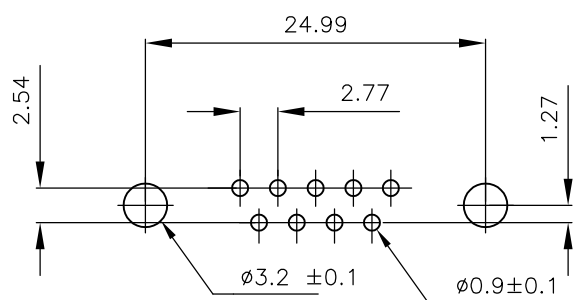
△ OBSOLETE PARTS: OBSOLETE CIS STREAMLINING PER D.RENAUD/D.SINISI.

INSERT OPTION  
(SEE TABLE FOR THREAD)

SCREW LOCK OPTION  
(SEE TABLE FOR THREAD)



P.C.B. LAYOUT



△ OBSOLETE	9 WAY D PLUG WITH BOARD LOCKS & 2 x M3 SCREW LOCKS, 0.38µm GOLD, RIGHT ANGLE	4-1634580-2
	9 WAY D PLUG WITH BOARD LOCKS & 2 x 4-40 SCREW LOCKS, 0.38µm GOLD, RIGHT ANGLE	3-1634580-2
△ OBSOLETE	9 WAY D PLUG WITH BOARD LOCKS & 2 x M3 INSERTS, 0.38µm GOLD, RIGHT ANGLE	2-1634580-2
	9 WAY D PLUG WITH BOARD LOCKS & 2 x 4-40 INSERTS, 0.38µm GOLD, RIGHT ANGLE	1-1634580-2
	DESCRIPTION	PART No.

THIS DRAWING IS A CONTROLLED DOCUMENT.		DWN J.SANDWELL 15SEP2003	<b>STE</b> TE Connectivity	
DIMENSIONS: mm		CHK S.EBBUTT 15SEP2003		
TOLERANCES UNLESS OTHERWISE SPECIFIED:		APVD F.WHEELER-KING 15SEP2003	NAME 9 WAY D-SUB PLUG WITH BOARD LOCK	
0 PLC ± -		PRODUCT SPEC	-	
1 PLC ± -		APPLICATION SPEC	-	
2 PLC ± -		WEIGHT	-	
3 PLC ± -		SIZE	CAGE CODE	DRAWING NO
4 PLC ± -		SEE NOTE	A3	00779
ANGLES ± -		FINISH	C-1634580	
MATERIAL		CUSTOMER DRAWING		
SEE NOTE		SCALE	SHEET	REV
		NTS	1 OF 2	C

THIS DRAWING IS UNPUBLISHED.

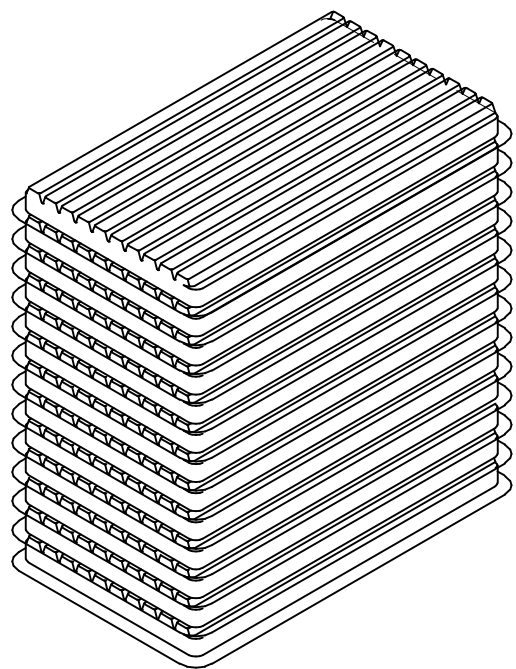
RELEASED FOR PUBLICATION

-, -

ALL RIGHTS RESERVED.

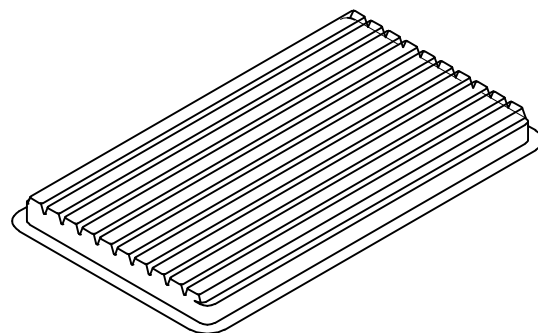
© COPYRIGHT - By -

LOC	DIST	REVISIONS			
P	LTR	DESCRIPTION	DATE	DWN	APVD
	-	SEE SHEET 1	-	-	-

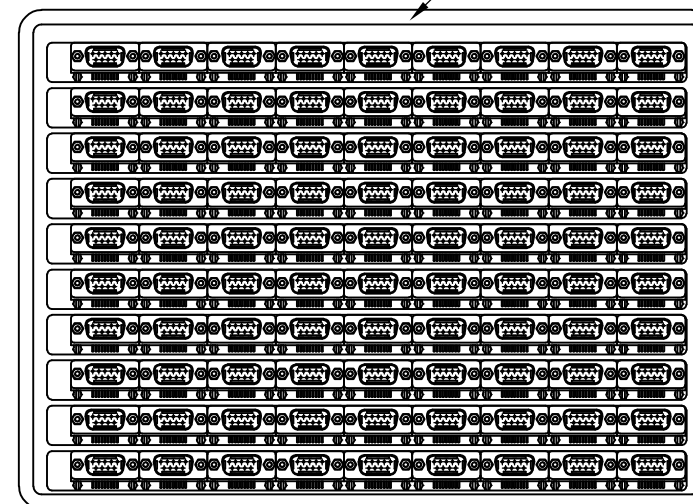


- 1 DIMENSION:  
TRAY:L=310,W=220,H=23  
SHIPPING BOX:L=335,W=230,H=320
- 2 QUANTITY:  
90 PCS/TRAY  
13 TRAY/SHIPPING BOX

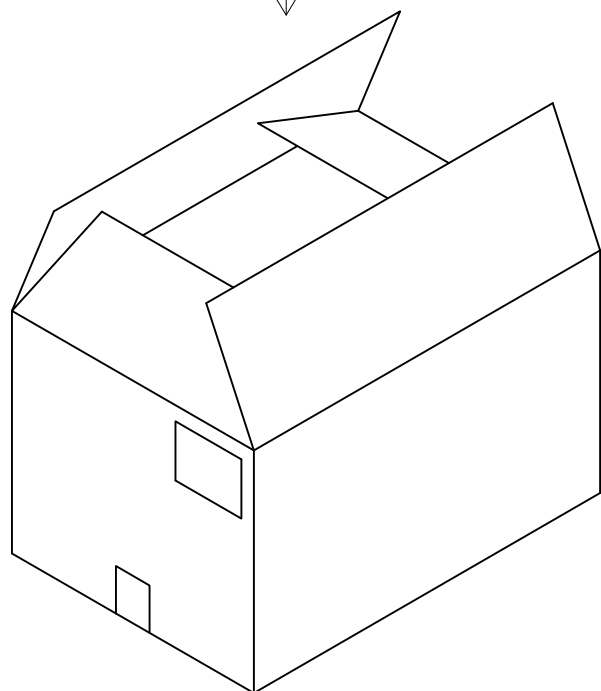
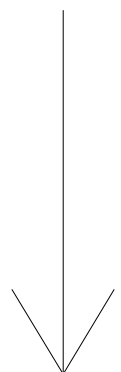
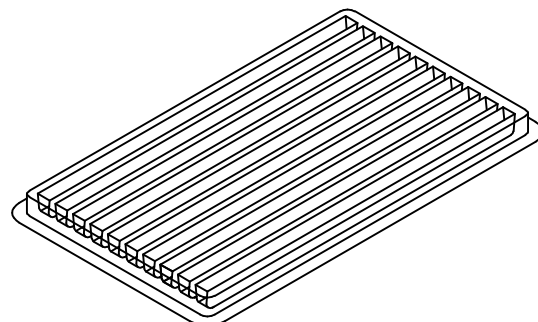
COVER




Tray Layout



TRAY



THIS DRAWING IS A CONTROLLED DOCUMENT.		DWN J.SANDWELL 15SEP2003	 TE Connectivity														
DIMENSIONS: mm		CHK S.EBBUTT 15SEP2003															
TOLERANCES UNLESS OTHERWISE SPECIFIED:		APVD F.WHEELER-KING 15SEP2003	NAME 9 WAY D-SUB PLUG WITH BOARD LOCK														
<table border="0"> <tr><td>0 PLC</td><td>± -</td></tr> <tr><td>1 PLC</td><td>± -</td></tr> <tr><td>2 PLC</td><td>± -</td></tr> <tr><td>3 PLC</td><td>± -</td></tr> <tr><td>4 PLC</td><td>± -</td></tr> <tr><td>ANGLES</td><td>± -</td></tr> </table>		0 PLC	± -	1 PLC	± -	2 PLC	± -	3 PLC	± -	4 PLC	± -	ANGLES	± -	PRODUCT SPEC -	SIZE A3		
0 PLC	± -																
1 PLC	± -																
2 PLC	± -																
3 PLC	± -																
4 PLC	± -																
ANGLES	± -																
MATERIAL SEE NOTE		APPLICATION SPEC -	CAGE CODE 00779	DRAWING NO C-1634580	RESTRICTED TO -												
FINISH -		WEIGHT -	SCALE NTS														
CUSTOMER DRAWING			SHEET 2 OF 2		REV C												