

NOTES:

- MATERIAL: HOUSING - HIGH TEMP NYLON, GLASS FILLED, UL 94V-0  
 COLOR: SEE TABLE ON SHEET 6 & 7  
 LATCH - HIGH TEMP NYLON, GLASS FILLED, UL 94V-0  
 COLOR: SEE TABLE ON SHEET 6 & 7  
 TERMINAL: COPPER ALLOY

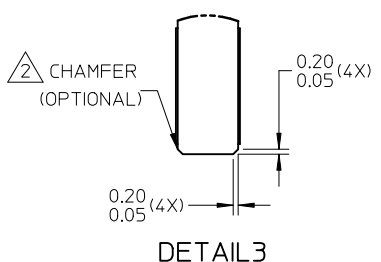
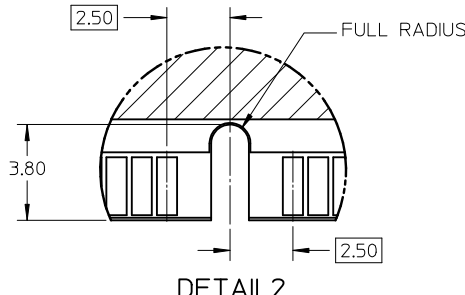
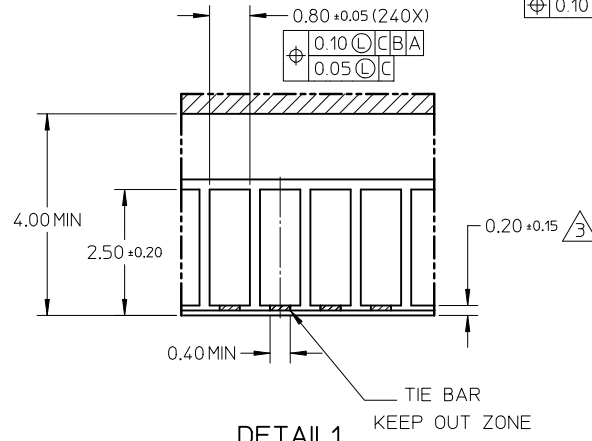
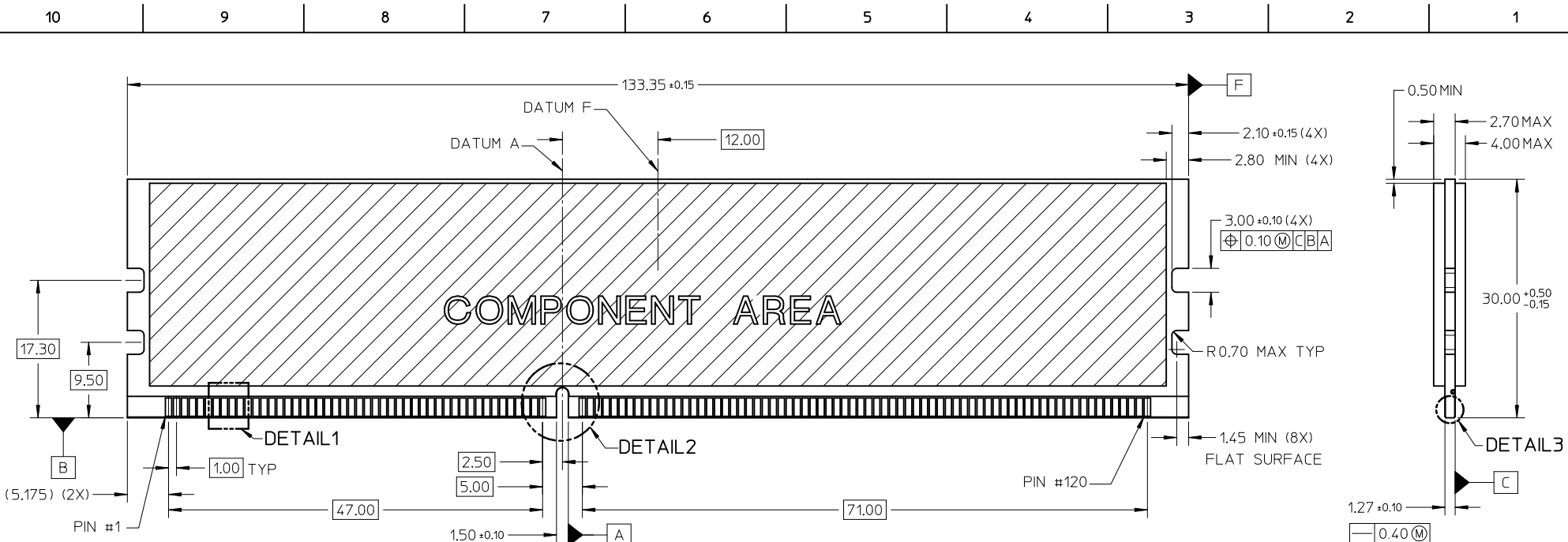
- FINISHES:  
 TERMINAL PLATING OPTIONS - SEE TABLE ON SHEET 6 & 7
- PRODUCT SPECIFICATION: SEE TABLE ON SHEET 6 & 7
- PACKAGING INFORMATION: PRODUCT SHALL BE PACKED IN TRAY
- CARD SLOTS ACCEPTS 1.27±0.10MM MODULE THICKNESS (MEASURED FROM PC PADS)

- MOLEX LOGO, DATE CODE AND PART NO. INDICATED ON HOUSING
- MODULE SEATING PLANE FROM TOP OF PCB
- KEEP OUT ZONE RESERVED FOR LATCH

THIS DESIGN IS BASED ON DESIGN OBJECTIVES AND IS STRICTLY TENTATIVE. IT MAY CHANGE BASED ON RESULTS OF ADDITIONAL DESIGN REVIEWS & VERIFICATIONS.

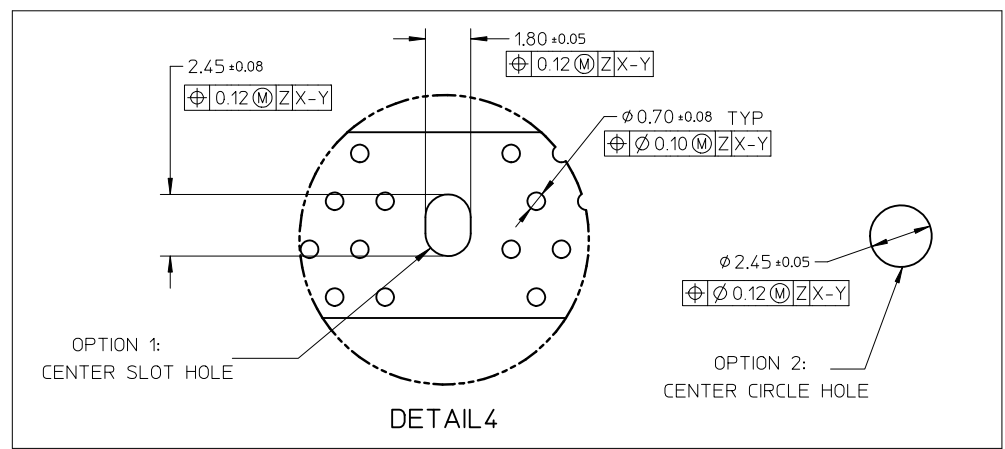
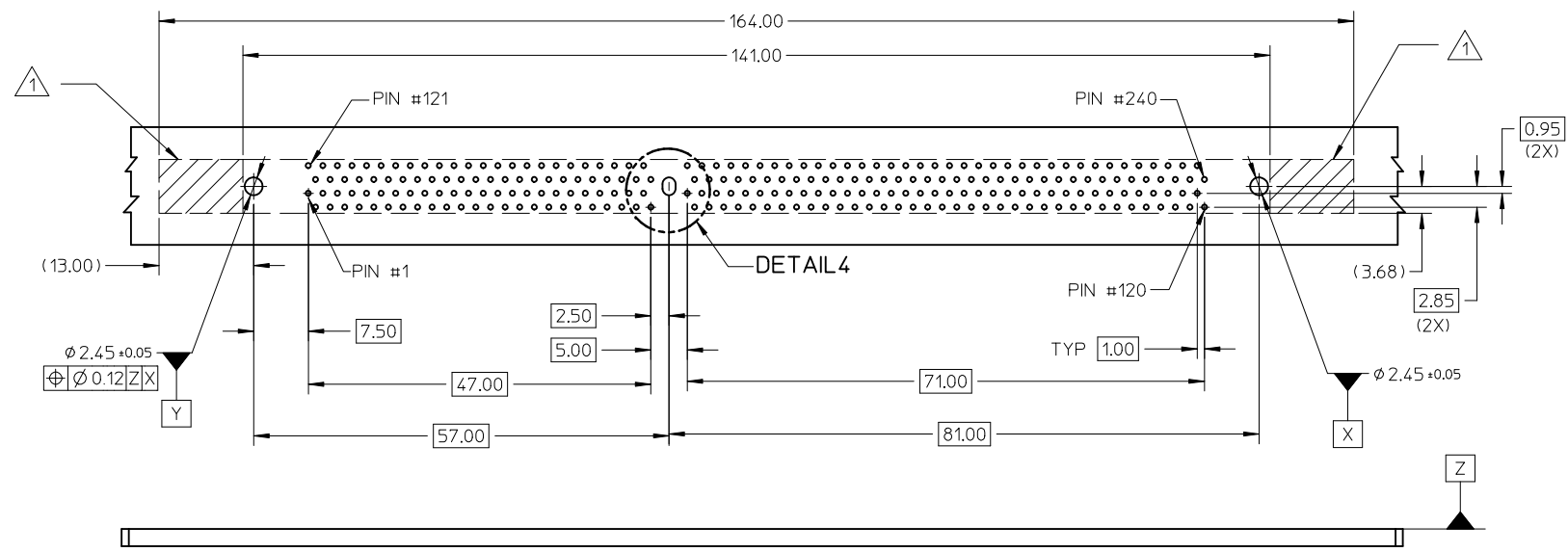
<b>FORKLOCK UPDATED</b> EC NO: S2010-0888 DRWN: JAKEEVIEW CHKD: CCTEH APPR: SHLENI	DESCRIPTION 2010/04/23 2010/06/10 2010/06/13	QUALITY SYMBOLS $F_A=0$ $F_C=0$ $F_B=0$	GENERAL TOLERANCES (UNLESS SPECIFIED)		DIMENSION STYLE MM ONLY		SCALE NTS	DESIGN UNITS METRIC	THIRD ANGLE PROJECTION		
				mm	INCH	DRAWN BY YTYANG01	DATE 2007/09/24	TITLE DDR3 DIMM, 100MM PITCH 240 CKTS, VERTICAL, T/H LOW LLLCR			
			4 PLACES	± ---	± ---	CHECKED BY CCTEH	DATE 2007/11/12	<b>MOLEX INCORPORATED</b> DOCUMENT NO. SD-78321-001 SHEET NO. 1 OF 7			
			3 PLACES	± ---	± ---	APPROVED BY SHLENI	DATE 2010/06/10				
2 PLACES	± 0.2	± ---	ANGULAR ± 1 °		MATERIAL NO.		SEE TABLE				
1 PLACE	± ---	± ---	DRAFT WHERE APPLICABLE MUST REMAIN WITHIN DIMENSIONS		SIZE A3		THIS DRAWING CONTAINS INFORMATION THAT IS PROPRIETARY TO MOLEX INCORPORATED AND SHOULD NOT BE USED WITHOUT WRITTEN PERMISSION				





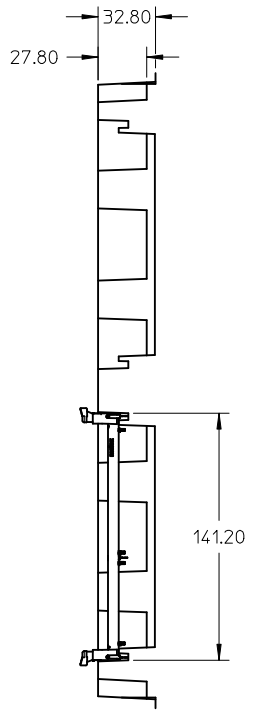
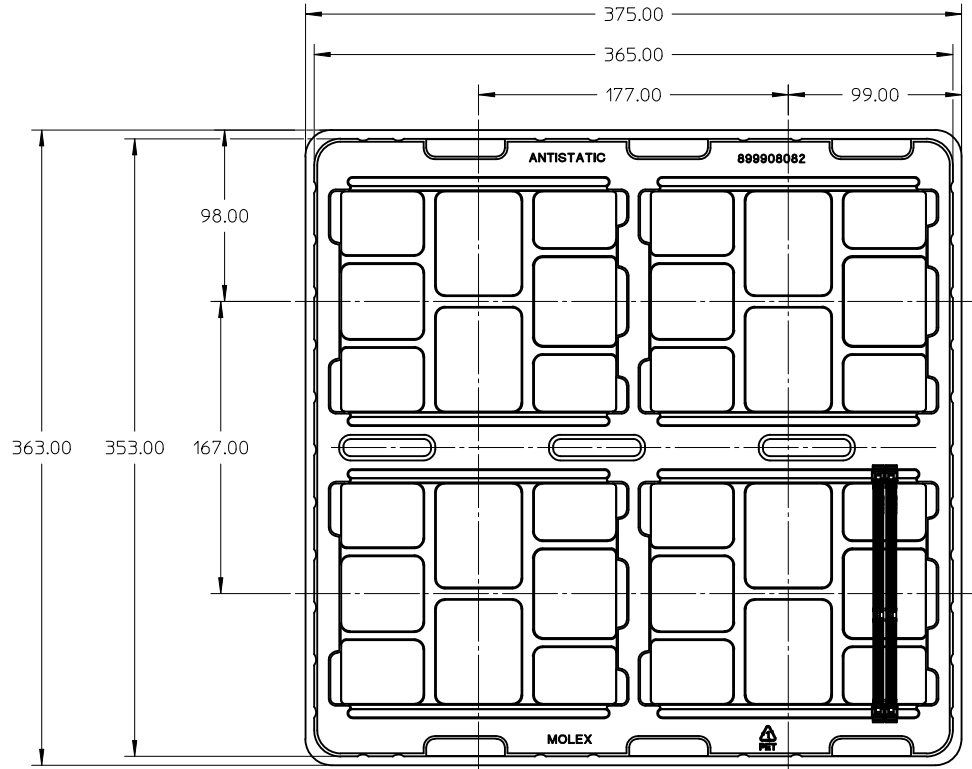
NOTES:  
 1. RECOMMENDED PLATING FOR CONTACT PADS:  
 PREFERRED: 0.76 MICROMETERS GOLD PLATING MIN OVER 2.00 MICROMETERS NICKEL  
 ALTERNATIVE: 0.05-0.75 MICROMETERS GOLD PLATING OVER 2.00 MICROMETERS NICKEL MUST USE AN ELECTRONIC CONTACT GRADE CORROSIVE BARRIER LUBRICANT  
 2. CHAMFER IS OPTIONAL AND IS NOT TO HIT THE GOLD PADS  
 3. LEADING EDGE OF GOLD PADS SPECIFIED BY KEEP-OUT ZONE SHALL BE FREE OF BURRS AND EXTERNAL TIE BARS

FORKLOCK UPDATED EC NO: S2010-0888 DRWN: JAKEEWEW 2010/04/23 CHYKD: CCTEH 2010/06/10 APPR: SHLENI 2010/06/13	QUALITY SYMBOLS $F_A=0$ $F_G=0$ $F_P=0$	GENERAL TOLERANCES (UNLESS SPECIFIED)		DIMENSION STYLE MM ONLY		SCALE NTS	DESIGN UNITS METRIC	THIRD ANGLE PROJECTION			
			mm	INCH	DRAWN BY YTYANG01	DATE 2007/09/24	TITLE DDR3 DIMM, 100MM PITCH 240 CKTS, VERTICAL, T/H LOW LLLCR				
			4 PLACES	± ---	± ---	CHECKED BY CCTEH	DATE 2007/11/12	MOLEX INCORPORATED DOCUMENT NO. SD-78321-001 SHEET NO. 3 OF 7			
			3 PLACES	± ---	± ---	APPROVED BY SHLENI	DATE 2010/06/10				
	2 PLACES	± 0.2	± ---	MATERIAL NO.		SEE TABLE					
	1 PLACE	± ---	± ---	DRAFT WHERE APPLICABLE MUST REMAIN WITHIN DIMENSIONS		THIS DRAWING CONTAINS INFORMATION THAT IS PROPRIETARY TO MOLEX INCORPORATED AND SHOULD NOT BE USED WITHOUT WRITTEN PERMISSION					



NOTE:  
 1. KEEPOUT AREA IS THE AREA WHERE THE CONNECTOR (INCLUDING LATCH) IS MOUNTED ON PCB

FORKLOCK UPDATED EC NO: S2010-0888 DRWN: JAKEEWEW 2010/04/23 CHKD: CCTEH 2010/06/10 APPR: SHLENI 2010/06/13	QUALITY SYMBOLS $F_A=0$ $F_C=0$ $F_P=0$	GENERAL TOLERANCES (UNLESS SPECIFIED) mm INCH 4 PLACES $\pm$ --- $\pm$ --- 3 PLACES $\pm$ --- $\pm$ --- 2 PLACES $\pm 0.2$ $\pm$ --- 1 PLACE $\pm$ --- $\pm$ --- ANGULAR $\pm 1^\circ$	DIMENSION STYLE MM ONLY DRAWN BY YTYANG01 DATE 2007/09/24 CHECKED BY CCTEH DATE 2007/11/12 APPROVED BY SHLENI DATE 2010/06/10	SCALE NTS DESIGN UNITS METRIC THIRD ANGLE PROJECTION	TITLE DDR3 DIMM, 100MM PITCH 240 CKTS, VERTICAL, T/H LOW LLLCR
	DRAFT WHERE APPLICABLE MUST REMAIN WITHIN DIMENSIONS	MATERIAL NO. SEE TABLE	DOCUMENT NO. SD-78321-001	SHEET NO. 4 OF 7	
	SIZE A3	THIS DRAWING CONTAINS INFORMATION THAT IS PROPRIETARY TO MOLEX INCORPORATED AND SHOULD NOT BE USED WITHOUT WRITTEN PERMISSION			
	REV 10	MOLEX INCORPORATED			



NOTES:  
1. QTY OF CAVITY : 20 X 4 = 80 PCS

FORKLOCK UPDATED EC NO: S2010-0888 DRWN: JAKEEWEW 2010/04/23 CHKD: CCTEH 2010/06/10 APPR: SHLENI 2010/06/13	DESCRIPTION REV 10	QUALITY SYMBOLS	GENERAL TOLERANCES (UNLESS SPECIFIED)	DIMENSION STYLE	SCALE	DESIGN UNITS	THIRD ANGLE PROJECTION	
		$\nabla_A = 0$ $\nabla_C = 0$ $\nabla_P = 0$	mm    INCH 4 PLACES ± --- ± --- 3 PLACES ± --- ± --- 2 PLACES ± 0.2 ± --- 1 PLACE ± --- ± --- ANGULAR ± 1 °	MM ONLY	NTS	METRIC		
			DRAFT WHERE APPLICABLE MUST REMAIN WITHIN DIMENSIONS	DRAWN BY: YTYANG01 CHECKED BY: CCTEH APPROVED BY: SHLENI MATERIAL NO.	DATE: 2007/09/24 DATE: 2007/11/12 DATE: 2010/06/10	TITLE: DDR3 DIMM, 1.00MM PITCH 240 CKTS, VERTICAL, T/H LOW LCCR		
				SEE TABLE	MOLEX INCORPORATED DOCUMENT NO. SD-78321-001			SHEET NO. 5 OF 7

ASSEMBLY PART NO.	VOLTAGE KEY	DIM 'P'	FORKLOCK LENGTH	RECOMMENDED PCB THICKNESS	PLATING OPTION	HOUSING COLOUR	LATCH COLOUR	PRODUCT SPECIFICATION
78321-0011	CENTRE (1.5V)	2.67	3.94	1.57	0.76 MICROMETER/ 30 MICROINCH MIN. GOLD ON CONTACT 2.54 MICROMETER/ 100 MICROINCH MIN. PURE TIN (MATTE) ON SOLDER TAILS 1.27 MICROMETER/ 50 MICROINCH MIN. NICKEL UNDERPLATE	BLACK	BLACK	PS-78321-001
78321-0016							NATURAL (OFF-WHITE)	
78321-0013		3.00		2.18			BLACK	
78321-0017							NATURAL (OFF-WHITE)	
78321-0012		3.18		2.36			BLACK	
78321-0018							NATURAL (OFF-WHITE)	
78321-0001		2.67	1.57	0.38 MICROMETER/ 15 MICROINCH MIN. GOLD ON CONTACT 2.54 MICROMETER/ 100 MICROINCH MIN. PURE TIN (MATTE) ON SOLDER TAILS 1.27 MICROMETER/ 50 MICROINCH MIN. NICKEL UNDERPLATE	BLACK	PS-78321-002		
78321-0006					NATURAL (OFF-WHITE)			
78321-0003			3.00		2.18		BLACK	
78321-0007							NATURAL (OFF-WHITE)	
78321-0002			3.18		2.36		BLACK	
78321-0008							NATURAL (OFF-WHITE)	

<b>FORKLOCK UPDATED</b> EC NO: S2010-0888 DRWN: JAKEEW 2010/04/23 CHKD: CCTEH 2010/06/10 APPR: SHLENI 2010/06/13	QUALITY SYMBOLS	GENERAL TOLERANCES (UNLESS SPECIFIED)	DIMENSION STYLE	SCALE	DESIGN UNITS	THIRD ANGLE PROJECTION															
	$\nabla_A = 0$ $\nabla_C = 0$ $\nabla_P = 0$	<table border="1"> <tr> <th></th> <th>mm</th> <th>INCH</th> </tr> <tr> <td>4 PLACES</td> <td>± ---</td> <td>± ---</td> </tr> <tr> <td>3 PLACES</td> <td>± ---</td> <td>± ---</td> </tr> <tr> <td>2 PLACES</td> <td>± 0.2</td> <td>± ---</td> </tr> <tr> <td>1 PLACE</td> <td>± ---</td> <td>± ---</td> </tr> </table>		mm	INCH	4 PLACES	± ---	± ---	3 PLACES	± ---	± ---	2 PLACES	± 0.2	± ---	1 PLACE	± ---	± ---	MM ONLY	NTS	METRIC	
		mm	INCH																		
	4 PLACES	± ---	± ---																		
3 PLACES	± ---	± ---																			
2 PLACES	± 0.2	± ---																			
1 PLACE	± ---	± ---																			
DESCRIPTION	DRAWN BY: YTYANG01 CHECKED BY: CCTEH APPROVED BY: SHLENI DATE: 2007/09/24 DATE: 2007/11/12 DATE: 2010/06/10	TITLE	DDR3 DIMM, 1.00MM PITCH 240 CKTS, VERTICAL, T/H LOW LLCR																		
REV	10	DRAFT WHERE APPLICABLE MUST REMAIN WITHIN DIMENSIONS	SEE TABLE	MOLEX INCORPORATED		SHEET NO. 6 OF 7															
			SIZE A3	THIS DRAWING CONTAINS INFORMATION THAT IS PROPRIETARY TO MOLEX INCORPORATED AND SHOULD NOT BE USED WITHOUT WRITTEN PERMISSION																	

