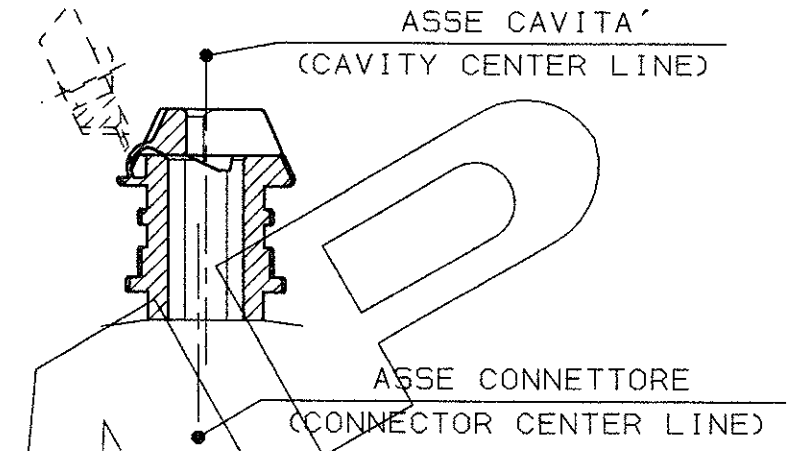
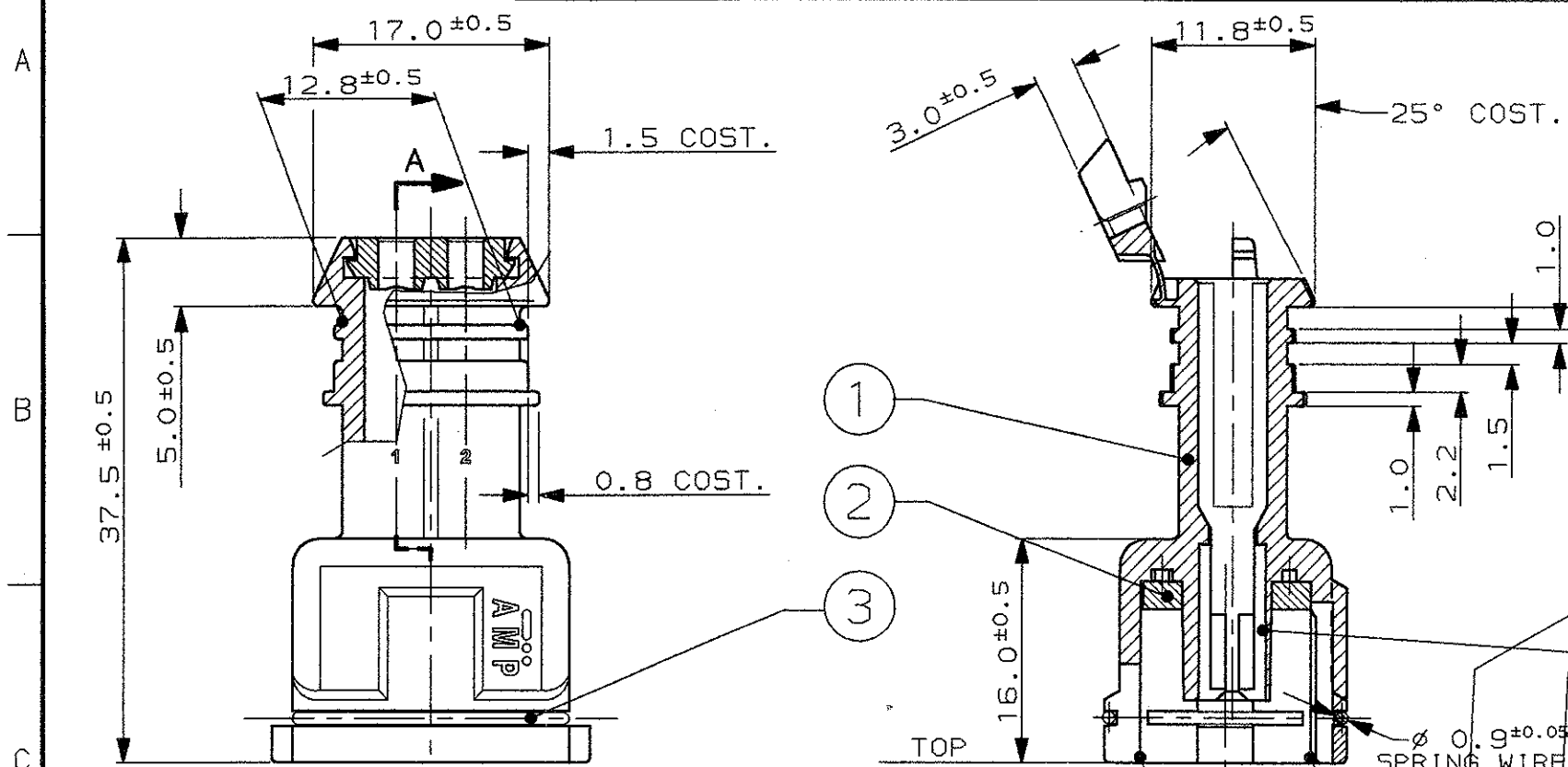


CONNETTORE TIPO B (CON MOLLA DI RITEGNO INTERNA)
CONNECTOR TYPE B (WITH INTERNAL SPRING)

SCALA NON IMPEGNATIVA
(DO NOT SCALE)
DIMENSIONI IN mm
(DIMENSIONS IN mm)

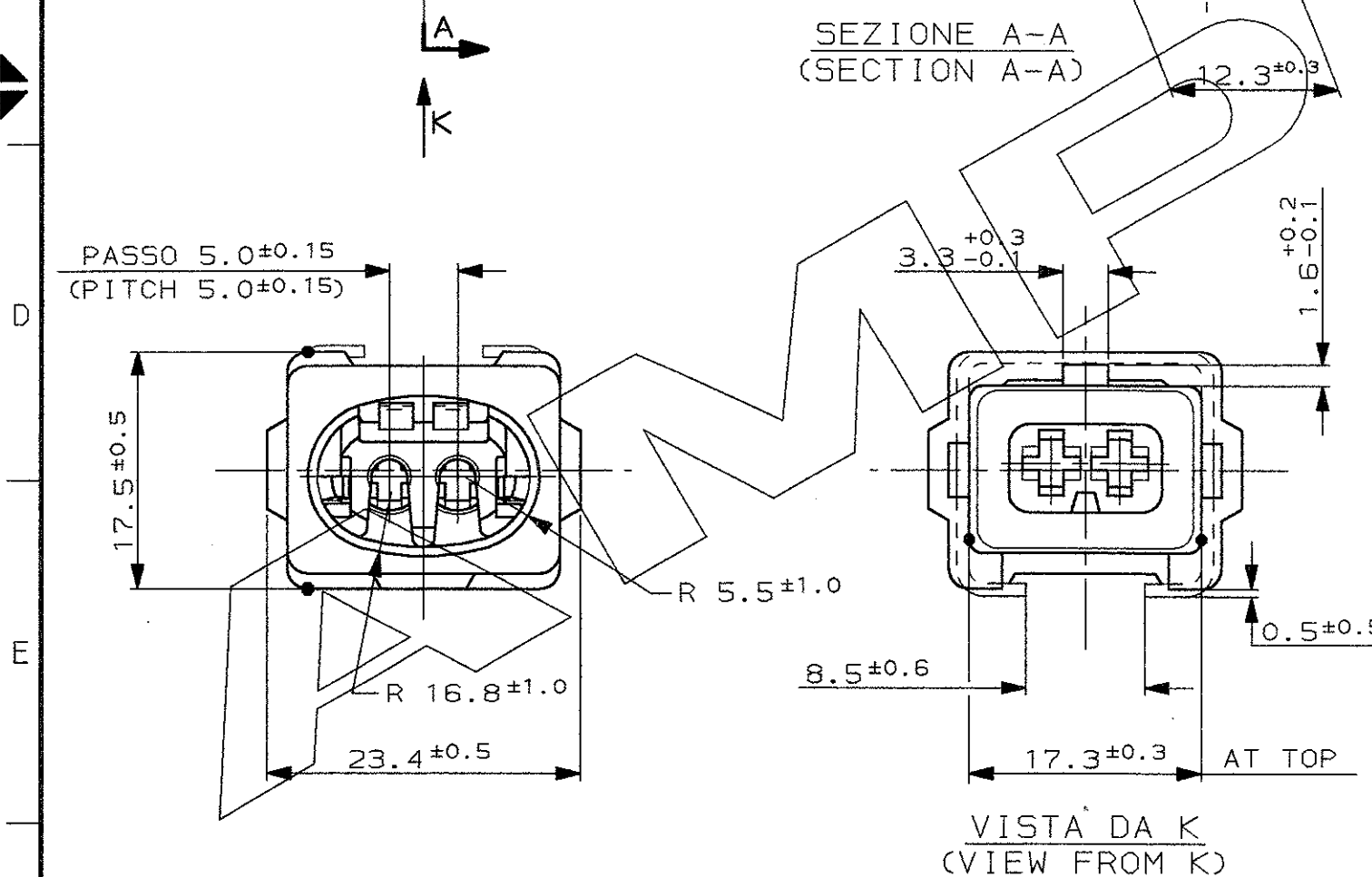
METRIC

PROIEZIONE EUROPEA
(EUROPEAN PROJECTION)



CAVITA' ADATTA PER TERMINALI JUNIOR POWER TIMER:
 CONTATTO P/N 929939-1 0 -3 CON GOMMINO P/N 828904-1
 CAVO ISOLANTE RIDOTTO Ø1.5-2.1mm; SEZIONE 0.5-1.0mm²
 CONTATTO P/N 929937-1 0 -3 CON GOMMINO P/N 828905-1
 (O GOMMINO P/N 282536-1 SOLO PER CAVI SEZIONE 2.5mm²)
 CAVO ISOLANTE RIDOTTO Ø2.2-3.0mm; SEZIONE 1.5-2.5mm²
 CAVITY SUITABLE FOR JUNIOR POWER TIMER CONTACT:
 CNT. P/N 929939-1 OR -3 PLUS WIRE SEAL P/N 828904-1
 REDUCED INS. CABLE Ø1.5-2.1mm; WIRE RANGE 0.5-1.0mm²
 CNT. P/N 929937-1 OR -3 PLUS WIRE SEAL P/N 828905-1
 (OR WIRE SEAL P/N 282536-1 ONLY FOR WIRE SECT. 2.5 mm²)
 REDUCED INS. CABLE Ø2.2-3.0mm; WIRE RANGE 1.5-2.5mm²

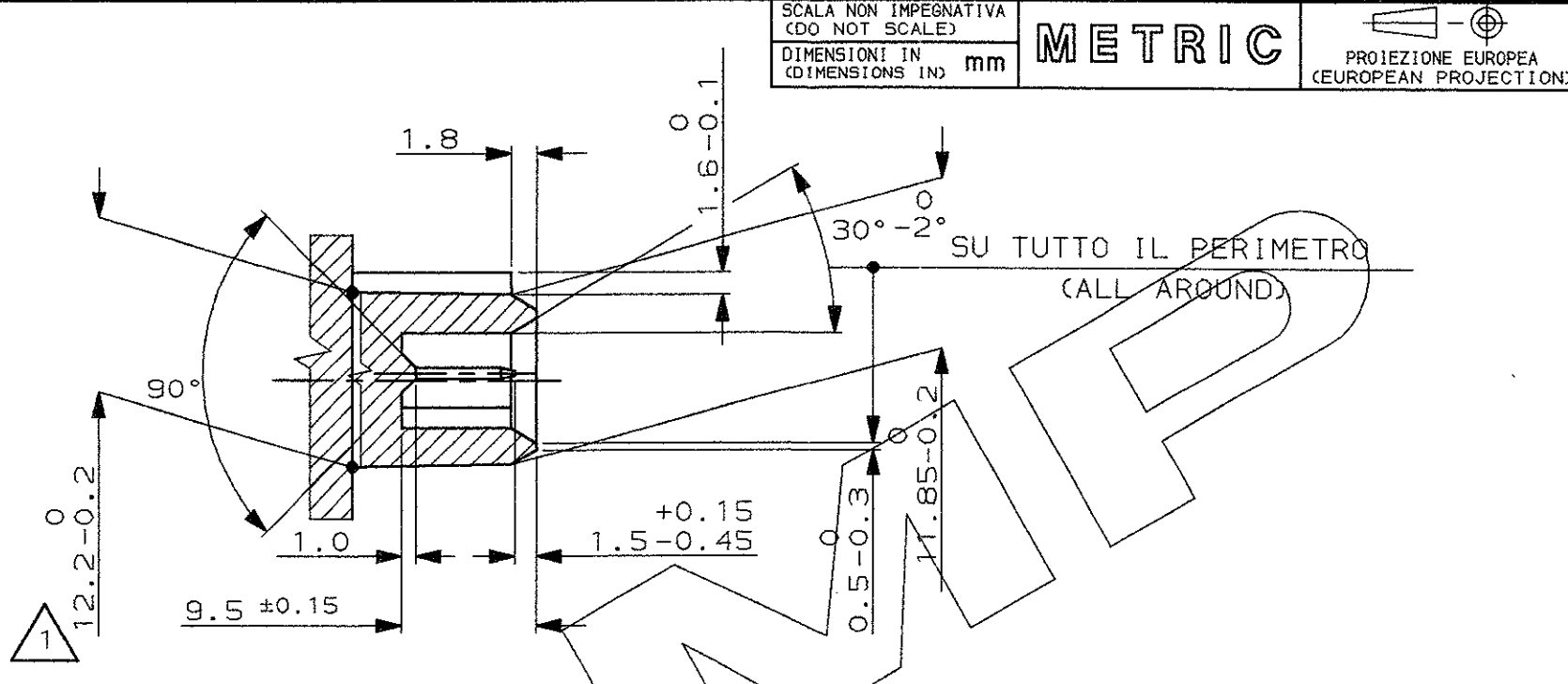
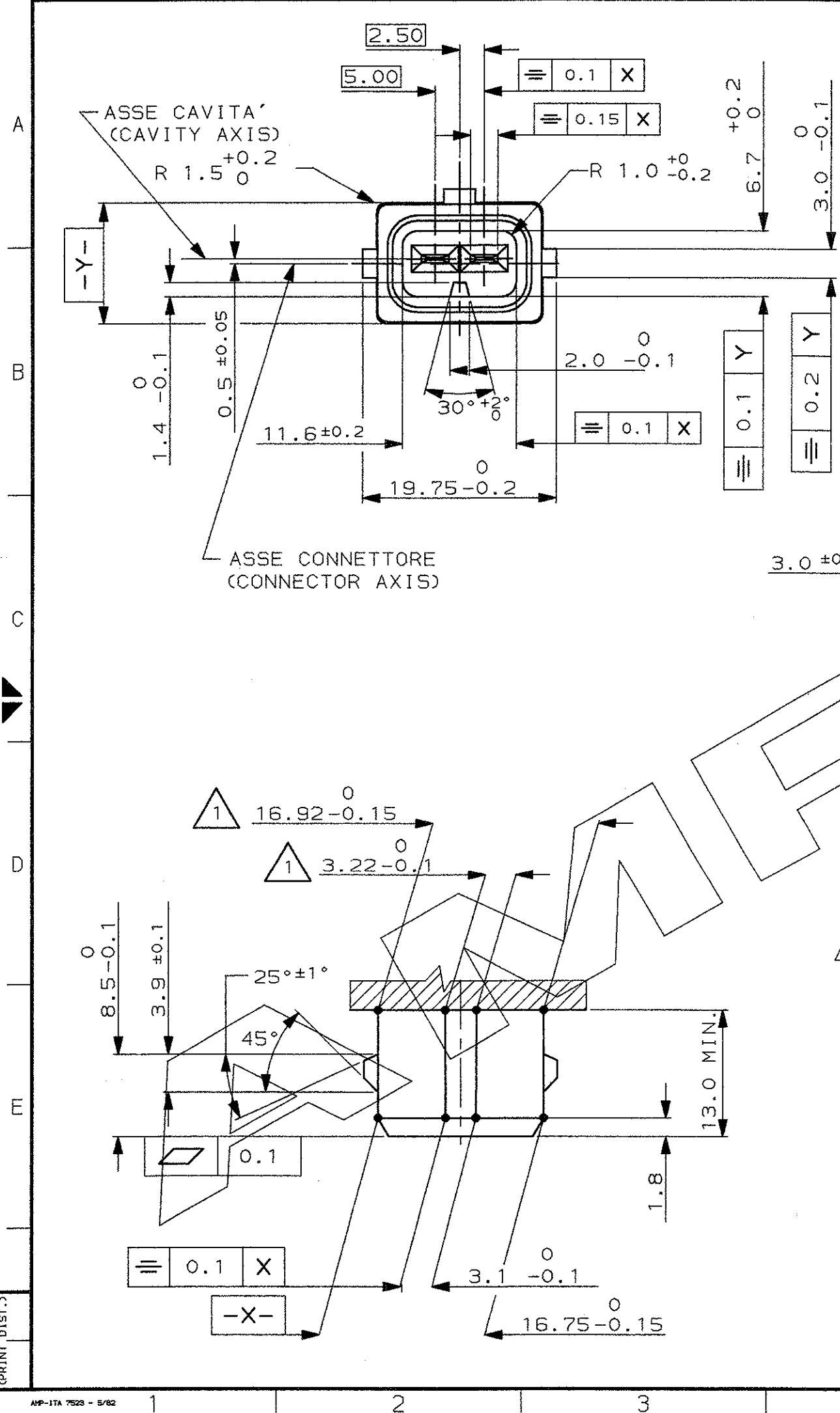
- PER DIMENSIONI CONTROPARTE VEDERE FOGLIO 2 DI 2.
(- FOR PIN HEADER DIMENSIONS SEE SHEET 2 OF 2).



ROSSO (RED)	282788-8			
GIALLO (YELLOW)	282788-7			
MARRONE (BROWN)	282788-6	3	//////	ACCIAIO INOX (STAINLESS STEEL)
BLU (BLUE)	282788-5			MOLLA (SPRING)
VERDE (GREEN)	282788-4	2	NATURALE (NATURAL)	GOMMA (RUBBER)
NATURALE (NATUR)	282788-3			GUARNIZIONE (RUBBER GASKET)
GRIGIO (GREY)	282788-2	1	//////	NYLON 6.6 CARIC. F.V. (PA 6.6 G.F. FILLED)
NERO (BLACK)	282788-1			BLOCCHETTO (HOUSING)
COLORE (COLOR)	NUMERO (PART N°.)	N° (ITEM)	FINITURA / COLORE (FINISH / COLOUR)	MATERIALE (MATERIAL)
		CUSTOMER DWG. FOR REFERENCE ONLY		DISEGNO PER CLIENTE SOLO PER RIFERIMENTO

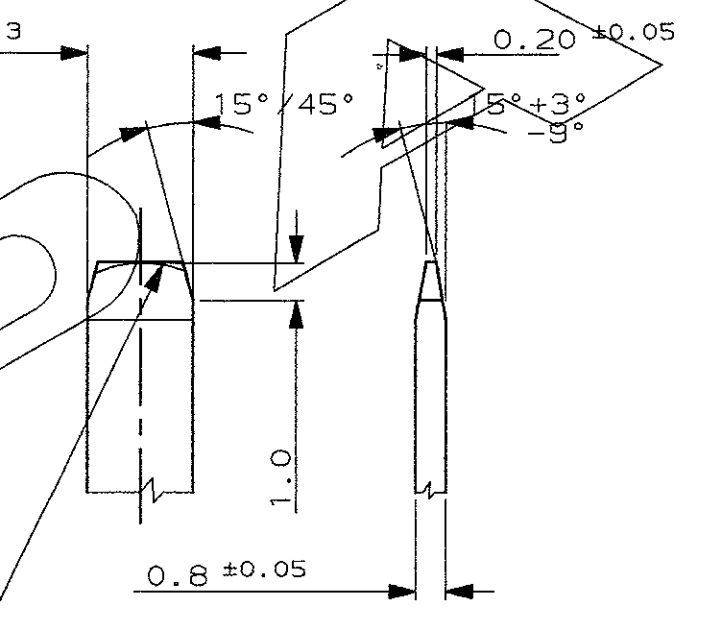
THIS DRAWING IS UNPUBLISHED		RELEASE FOR PUBLICATION		19
© COPYRIGHT 19 BY AMP INCORPORATED, HARRISBURG, PA. ALL INTERNATIONAL RIGHT RESERVED. AMP PRODUCTS MAY BE COVERED BY U.S. AND FOREIGN PATENT AND/OR PATENT PENDING				
TOLLERANZE, SE NON DIVERSAMENTE SPECIFICATO (TOLERANCES, UNLESS OTHERWISE SPECIFIED)		DIAM. ISOLANTE (INS. DIA. RANGE)		RANGO FILO (WIRE RANGE)
± 0.3		1.5-3.0 (REDUCED INS. CABLE)		0.5-2.5 mm ² ***
ANGOLI (ANGLES)		± 2°		
IN PRODUZIONE (RELEASED FOR PRODUCTION) EC ET00-0325-96		A.F. 26 JUL '96		
REVISED PER EC ET00-0096		A.F. 25 FEB '96		
FIRST ISSUE PER EC ET00-0004-96 (PROP. NO. WAS 95-51276)		R.M. 03-01 '96		
REVISIONI (REVISION RECORD)		DIS. DATA (DR. DATE)		
		R. MARTINI		
		C. TARTARI		
		CONT. 22 DEC 95 (CHK)		
		APP. (APP.)		
		LOC. SIZE NUMERO (CONG NO)		REV. FOGLIO (SHEET)
		I A3 C-282788		B 1 DI (OF) 2

DISTRIBUZIONE (PRINT DIST.)

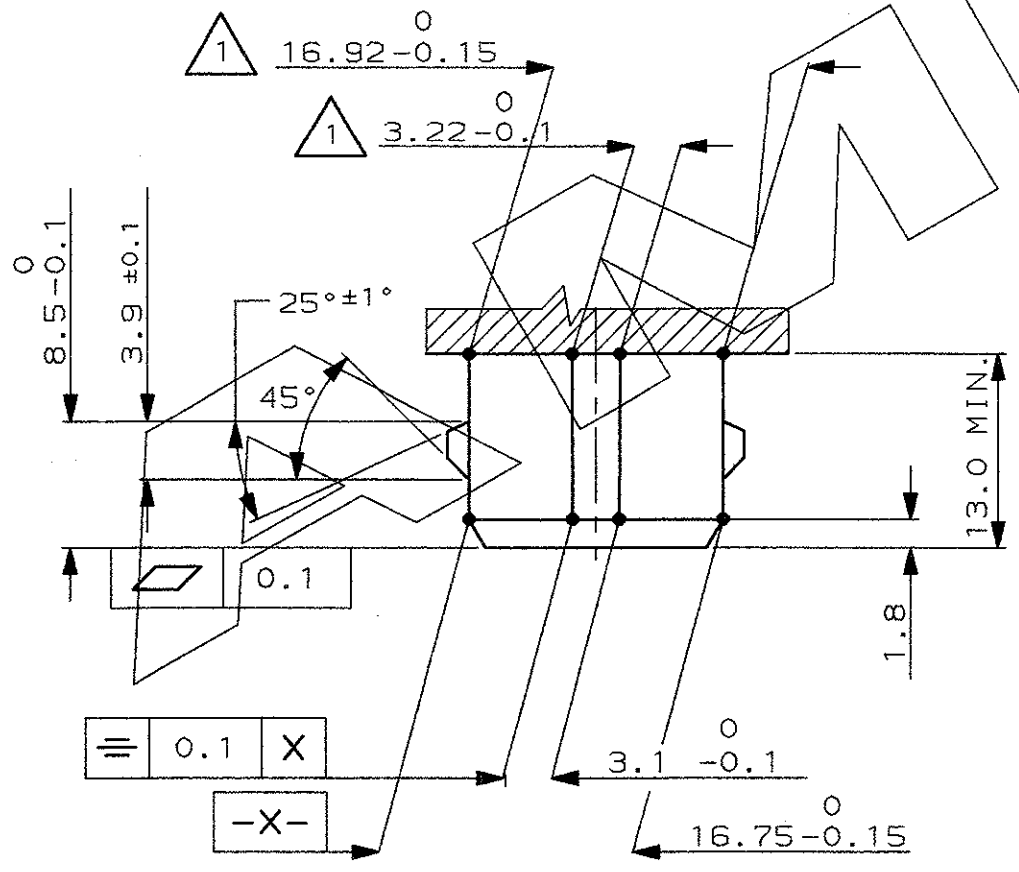


DETT. CONTATTO SC. 5:1
 (TAB DETAIL SC. 5:1)

- NOTE (NOTES):
- QUOTE APPLICABILI PER SFORMATURA PEZZO (RIGHT DIMENSIONS FOR EXTRACTION ITEM FROM THE MOULD)
 - MATERIALE CONTATTI: LEGA DI RAME STAGNATA, ES. OTTONE STAGNATO. (TAB MATERIAL: TINNED Cu ALLOY, E.G. TINNED BRASS)
 - MATERIALE BLOCCHETTO: TERMOPLASTICO CARICATO FIBRA VETRO. (HOUSING MATERIAL: THERMOPLASTIC GLASS FIBER FILLED).



FORMA ALTERNATIVA PERMESSA CON RAGGIO
 (ALLOWED ALTERNATIVE PROFILE WITH RADIUS)



FINITURA / COLORE (FINISH / COLOUR)	MATERIALE (MATERIAL)	NUMERO (PART NUMBER)
CUSTOMER DWG. FOR REFERENCE ONLY	DISEGNO PER CLIENTE SOLO PER RIFERIMENTO	19
THIS DRAWING IS UNPUBLISHED		RELEASE FOR PUBLICATION
© COPYRIGHT 19 BY AMP INCORPORATED, HARRISBURG, PA. ALL INTERNATIONAL RIGHT RESERVED. AMP PRODUCTS MAY BE COVERED BY U.S. AND FOREIGN PATENT AND/OR PATENT PENDING		
TOLLERANZE, SE NON DIVERSAMENTE SPECIFICATO (TOLERANCES, UNLESS OTHERWISE SPECIFIED):	DIAM. ISOLANTE (INS. DIA. RANGE)	RANGO FILO (WIRE RANGE)
± 0.3	SEE SHEET 1	SEE SHEET 1
ANGOLI (ANGLES)	SCALA (SCALE)	***
± 2°	AMP AMP ITALIA S.p.A. Corso F. LLI Cervi, 15 COLLEGNO (TORINO)	
DIS. (DR.)	DESCRIZIONE (DESCRIPTION)	
CONT. (CHK.)	2 POS. SPLASH PROOF CONN. ASS'Y with SECONDARY LOCK	
SEE SHEET 1 OF 2	LOC. SIZE NUMERO (DWG NO)	REV. FOGLIO (SHEET)
SEE SHEET 1 OF 2	IA3 C-282788	- 2 (OF) 2

DISTRIBUZIONE (PRINT DIST.)