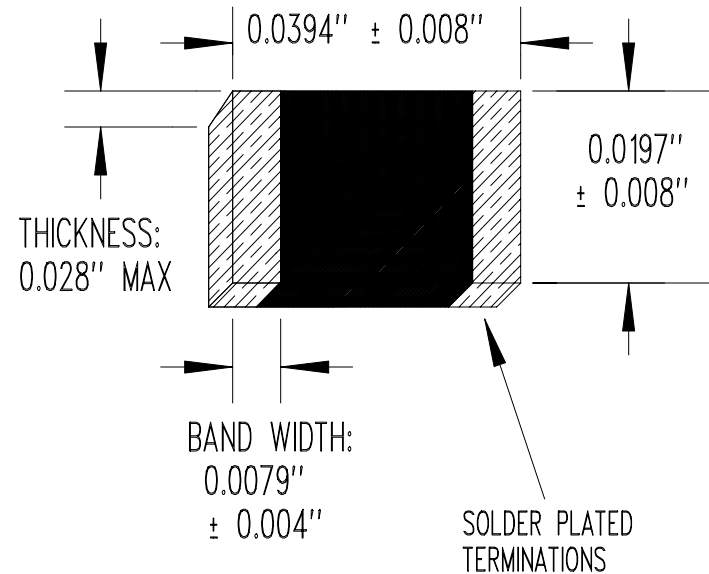


RESISTANCE/TEMPERATURE TABLE			
TEMP (°C)	RESIS (Ω)	TEMP (°C)	RESIS (Ω)
-40	7,630,268	45	82,756
-35	5,471,021	50	67,368
-30	3,964,294	55	55,141
-25	2,901,240	60	45,369
-20	2,143,344	65	37,515
-15	1,597,635	70	31,169
-10	1,200,998	75	26,016
-5	910,128	80	21,810
0	695,003	85	18,362
5	534,608	90	15,533
10	414,094	95	13,194
15	322,878	100	11,251
20	253,351	105	9,630
25	200,000	110	8,272
30	158,891	115	7,131
35	127,058	120	6,168
40	102,237	125	5,352



RESISTANCE @ +25°C = 200,000 Ω ± 5%
 BETA "β" (+25 TO +85°C) = 4,250°K NOMINAL
 POWER RATING = 40 mW
 OPERATING TEMPERATURE RANGE = -40 TO +125°C

SEE MANUFACTURING SPECIFICATION (LAYER 1)

NONE	RELEASE TO PRODUCTION	12/04/03	DD
REV	REVISION RECORD	DATE	APP

SCALE NONE	U.S. SENSOR CORP. 1832 W. COLLINS AVE. ORANGE, CA. 92867 714-639-1000 www.ussensor.com
DRAWN BY DAN DANKERT	
DATE 12/04/03	
REV. NONE	
LAYER 0 OF 2	
THERMISTOR, NTC CHIP	
P/N RA204R0J	