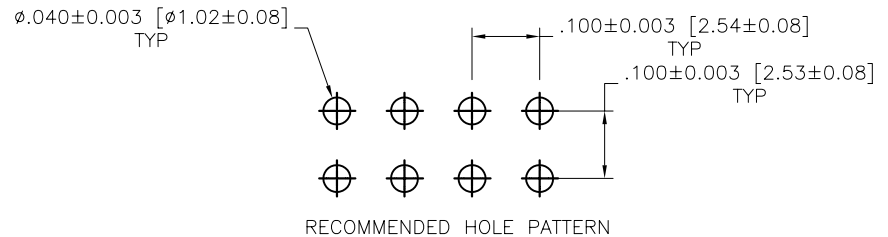
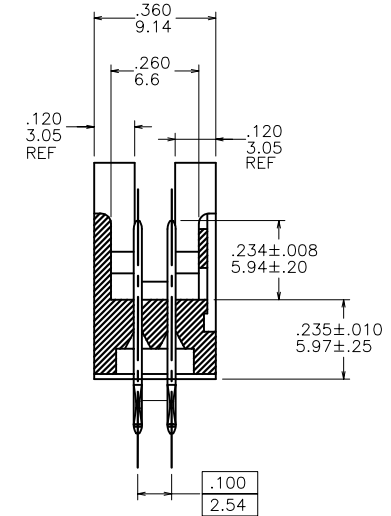
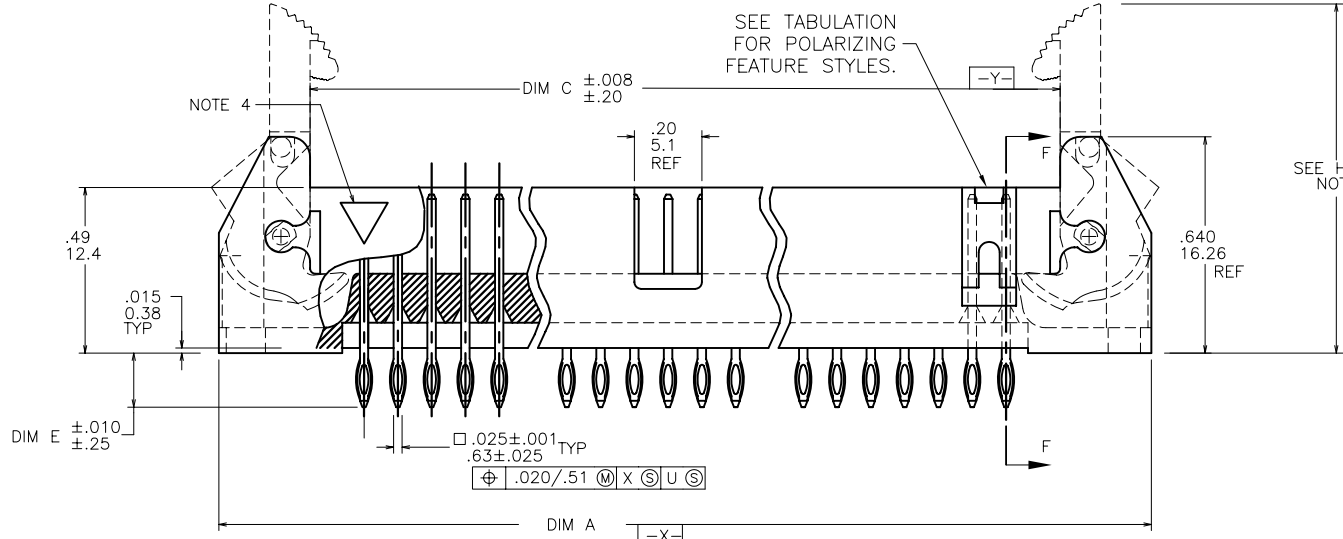
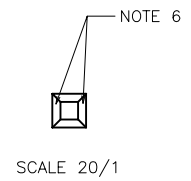
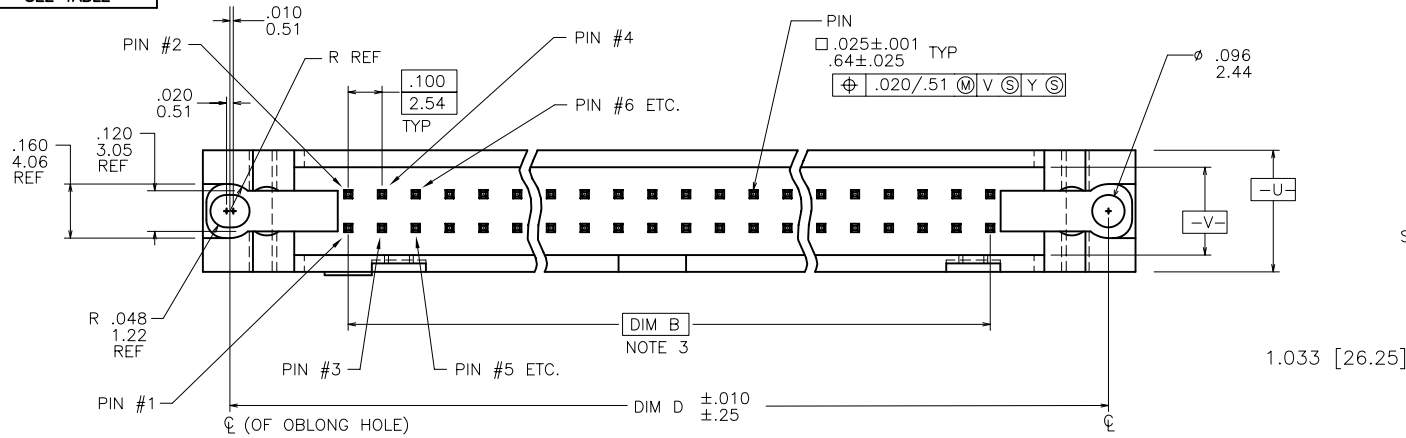


PRODUCT NUMBER  
SEE TABLE



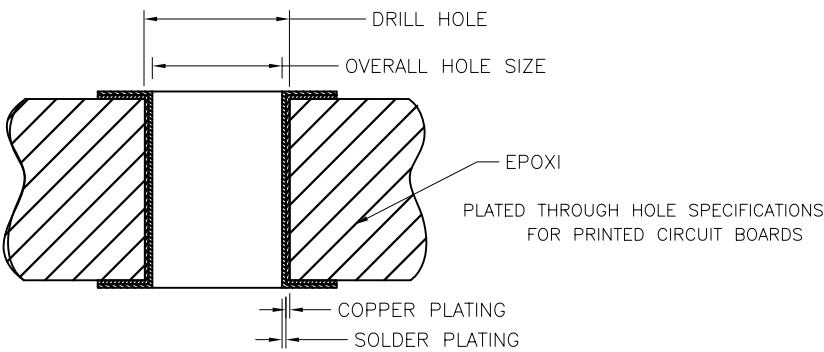
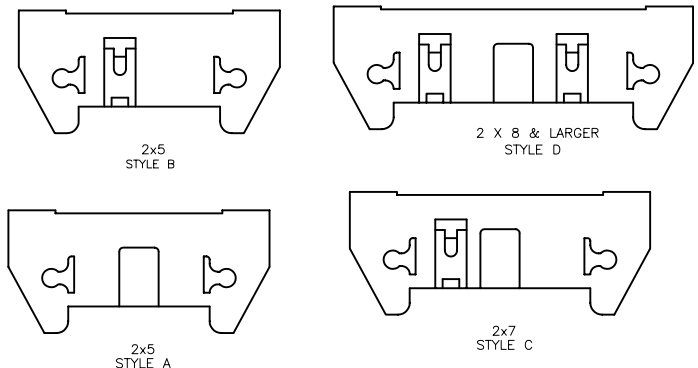
mat'l. code		surface ISO 1302		tolerance ISO 406 ISO 1101		projection INCH/MM		product family QUICKIE	
ltr	ecn no	dr	date	tolerances unless otherwise specified		INCH/MM		title E.O.N. HDR. ASSEMBLY SEA HORSE 4 WALL	
A	M07-0277	MHT	6/18/07	angles	linear	scale 1:1		dwg no 10080054	
B	M08-0135	MHT	5/116/08					sheet 1 of 13 size A3	
C	M08-0161	MHT	6/03/08	0'±2'				type Product Customer Drawing	
D	M08-0168	MHT	6/16/08	dr	M.HERNANDEZ	6/18/07			
E	M08-0210	MHT	7/14/08	engr	M.BARRIOS	6/18/07			
				chr	M.BARRIOS	6/18/07			
				appd	M.BARRIOS	6/18/07			
sheet	revision	E	E	E	E	E	E	E	E
index	sheet	1	2	3	4	5	6	7	8

FCJ  
FCconnect.com  
Copyright FCJ

	PLATING	NOTE 6
1	30u"/.76u Au OVER 50u "/1.27u Ni	NOTE 14
2	30u"/.76u GXT/GOLD FLASH	NOTE 14
4	30u"/.76u GXT & 100u"/2.54u Sn DUPLEX	
5	30u"/.76u GOLD & 100u"/2.54u Sn DUPLEX	

NOTES:

- BODY MATERIAL; 30% GLASS FILLED POLYESTER FLAME RETARDANT PER UL 94-V0 COLOR-BLUE.  
-1XX TO -6XX BLUE PBT  
-7XX TO -9XX GREY PBT
- UNLESS OTHERWISE SPECIFIED, 1' MAX DRAFT PERMISSIBLE ON ALL SURFACES.
- DIM B BASIC DIM SHALL BE LOCATED SYMMETRICAL TO DATUM -Y-.
- TRIANGLE, LOGO, & PART NO. AND THEIR LOCATIONS OPTIONAL.
- PIN MATERIAL; 3/4 HD. PHOSPHOR BRONZE ALLOY UNS-C51000.
- TWO NON-CRITICAL SIDES OF TIPS NOT PLATED. TYP BOTH ENDS.
- RECOMMENDED MOUNTING SCREW - #2-56 FILLISTER HEAD MACHINE SCREW .25/6.35 LONG FOR .063/1.58 & .094/2.38 BOARDS, .313/7.93 LONG FOR .125/3.18 BOARDS.
- 3 LBS/1.36 KG PIN RETENTION IN BOTH DIRECTIONS.
- LOW PROFILE LATCHES TO BE USED WITH FEMALE CONNECTOR WITHOUT STRAIN RELIEF STANDARD LATCHES TO BE USED WITH FEMALE CONNECTORS WITH STRAIN RELIEF.
- ADD AN "A" AFTER THE 8 DIGIT PART NUMBER FOR CUSTOMER SPECIAL.
- RECOMMENDED PLATED-THRU-HOLE DIMENSIONS ARE:  
DRILLED HOLE: .0453/1.151±.0010/.025 DIA  
COPPER PLATING THICKNESS: .001/.025 TO .003/.076  
SOLDER PLATING THICKNESS: .0003/.076 TO .0007/.0178  
OVERALL HOLE SIZE: .040/1.016±.003/.076 DIA
- PART NUMBERS WITH "LF" SUFFIX AT THE END OF PART NUMBER ARE LEAD FREE
- THESE PRODUCT MEETS EUROPEAN UNION DIRECTIVES AND OTHER COUNTRY REGULATION AS DESCRIBED IN GS-22-008.
- PLATING OPTIONS:  
MAY BE EITHER GOLD OR GXT PLATED AT MANUFACTURER'S OPTION.
- THE PRODUCT IS NOT INTENDED TO BE EXPOSED TO A MANUFACTURING SOLDER PROCESS.
- SEA-HORSE REFERENCE HEIGHT:  
STANDARD SEA-HORSE: 1.035/26.29  
LOW PROFILE SEA-HORSE: 0.920/23.37



SURFACE FINISH					
Ag	Au	HOLE PLATING	SnPb	Sn	Copper
.037-.043 [0.94-1.09]	.037-.043 [0.94-1.09]	HOLE DIAMETER AFTER PLATING	.037-.043 [0.94-1.09]	.037-.043 [0.94-1.09]	.037-.043 [0.94-1.09]
.0443-.0463 [1.12-1.17]	.0443-.0463 [1.12-1.17]	DRILLED HOLE	.0443-.0463 [1.12-1.17]	.0443-.0463 [1.12-1.17]	.0443-.0463 [1.12-1.17]
.001-.003 [0.025-0.076]	.001-.003 [0.025-0.076]	COPPER PLATING	.001-.003 [0.025-0.076]	.001-.003 [0.025-0.076]	.001-.003 [0.025-0.076]
-	-	TIN LEAD PLATING	.0003-.0005 [0.0076-0.0127]	-	-
-	.0002-.0003 [0.0051-0.0076]	NICKEL PLATING	-	-	-
-	.000004-.000008 [.0001-.0002]	GOLD PLATING	-	-	-
-	-	IMMERSION Sn	-	.000039-.000051 [.0009-.0013]	-
.000016-.000024 [0.0004-0.0006]	-	IMMERSION Ag	-	-	-

mat'l. code		surface ISO 1902		tolerance ISO 406 ISO 1101		projection		product family QUICKIE	
ltr	ecn no	dr	date	tolerances unless otherwise specified		INCH/MM		title	
E				angles	linear	.XX±.01/XX±0.3 .XXX±.005/XX±0.13 .XXXX±.0020/XXX±0.051		E.O.N. HDR. ASSEMBLY SEA HORSE 4 WALL	
				0'±2'		scale 1:1		sheet 2 of 13 size	
		dr	M.HERNANDEZ	6/18/07		FCJ		10080054 A3	
		engr	M.BARRIOS	6/18/07				type Product Customer Drawing	
		chr	M.BARRIOS	6/18/07					
		appd	M.BARRIOS	6/18/07					
sheet index	revision sheet								



Copyright FCJ

PRODUCT NUMBER	SIZE	STYLE	LATCH	DIM A	DIM B	DIM C	DIM D	DIM E	PIN PLATING	LEAD FREE
10080054-001LF	2 X 5	A	NONE	1.26/32.00	.400/10.16	.720/18.28	1.100/27.94	.160/4.06	1	NOTE 12
-002LF								.160/4.06	2	
-003LF								.610/15.49	1	NOT TOOLED
-004LF								.610/15.49	2	NOT TOOLED
-005LF								.733/18.62	1	NOT TOOLED
-006LF			NONE					.733/18.62	2	NOT TOOLED
-007LF			STD.					.160/4.06	1	
-008LF								.160/4.06	2	
-009LF								.610/15.49	1	NOT TOOLED
-010LF								.610/15.49	2	NOT TOOLED
-011LF								.733/18.62	1	NOT TOOLED
-012LF			STD.					.733/18.62	2	NOT TOOLED
-013LF			LOW PROFILE					.160/4.06	1	
-014LF								.160/4.06	2	
-015LF								.610/15.49	1	NOT TOOLED
-016LF								.610/15.49	2	NOT TOOLED
-017LF								.733/18.62	1	NOT TOOLED
-018LF		A	LOW PROFILE					.733/18.62	2	NOT TOOLED
-019LF		B	NONE					.160/4.06	1	
-020LF								.160/4.06	2	
-021LF								.610/15.49	1	NOT TOOLED
-022LF								.610/15.49	2	NOT TOOLED
-023LF								.733/18.62	1	NOT TOOLED
-024LF			NONE					.733/18.62	2	NOT TOOLED
-025LF			STD.					.160/4.06	1	
-026LF								.160/4.06	2	
-027LF								.610/15.49	1	NOT TOOLED
-028LF								.610/15.49	2	NOT TOOLED
-029LF								.733/18.62	1	NOT TOOLED
-030LF			STD.					.733/18.62	2	NOT TOOLED
-031LF			LOW PROFILE					.160/4.06	1	
-032LF								.160/4.06	2	
-033LF								.610/15.49	1	NOT TOOLED
-034LF								.610/15.49	2	NOT TOOLED
-035LF								.733/18.62	1	NOT TOOLED
10080054-036LF	2 X 5	B	LOW PROFILE	1.26/32.00	.400/10.16	.720/18.28	1.100/27.94	.733/18.62	2	NOTE 12



Copyright FCJ

mat'l. code		surface ISO 1302		tolerance ISO 406 ISO 1101		projection 		product family QUICKIE	
ltr	ecn no	dr	date	tolerances unless otherwise specified		INCH/MM		title E.O.N. HDR. ASSEMBLY SEA HORSE 4 WALL	
E				angles	linear	scale 1:1		sheet 3 of 13 size 10080054 A3	
				0°±2'	.XX±.01/XX±0.3 .XXX±.005/XX±0.13 .XXXX±.0020/XXX±0.051			dwg no 10080054	
				dr	M.HERNANDEZ	6/18/07		type Product Customer Drawing	
				engr	M.BARRIOS	6/18/07			
				chr	M.BARRIOS	6/18/07			
				appd	M.BARRIOS	6/18/07			
sheet index	revision sheet								

PRODUCT NUMBER	SIZE	STYLE	LATCH	DIM A	DIM B	DIM C	DIM D	DIM E	PIN PLATING SEE SHT. 2	LEAD FREE
10080054-037LF	2 X 7	C	NONE	1.46/37.08	.600/15.24	.920/23.37	1.300/33.02	.160/4.06	1	NOTE 12
-038LF								.160/4.06	2	
-039LF								.610/15.49	1	NOT TOOLED
-040LF								.610/15.49	2	NOT TOOLED
-041LF								.733/18.62	1	NOT TOOLED
-042LF			NONE					.733/18.62	2	NOT TOOLED
-043LF			STD.					.160/4.06	1	
-044LF								.160/4.06	2	
-045LF								.610/15.49	1	NOT TOOLED
-046LF								.610/15.49	2	NOT TOOLED
-047LF								.733/18.62	1	NOT TOOLED
-048LF			STD.					.733/18.62	2	NOT TOOLED
-049LF			LOW PROFILE					.160/4.06	1	
-050LF								.160/4.06	2	
-051LF								.610/15.49	1	NOT TOOLED
-052LF								.610/15.49	2	NOT TOOLED
-053LF								.733/18.62	1	NOT TOOLED
-054LF	2 X 7	C	LOW PROFILE	1.46/37.08	.600/15.24	.920/23.37	1.300/33.02	.733/18.62	2	NOT TOOLED
-055LF	2 X 8	D	NONE	1.56/39.62	.700/17.78	1.020/25.91	1.400/35.56	.160/4.06	1	
-056LF								.160/4.06	2	
-057LF								.610/15.49	1	NOT TOOLED
-058LF								.610/15.49	2	NOT TOOLED
-059LF								.733/18.62	1	NOT TOOLED
-060LF			NONE					.733/18.62	2	NOT TOOLED
-061LF			STD.					.160/4.06	1	
-062LF								.160/4.06	2	
-063LF								.610/15.49	1	NOT TOOLED
-064LF								.610/15.49	2	NOT TOOLED
-065LF								.733/18.62	1	NOT TOOLED
-066LF			STD.					.733/18.62	2	NOT TOOLED
-067LF			LOW PROFILE					.160/4.06	1	
-068LF								.160/4.06	2	
-069LF								.610/15.49	1	NOT TOOLED
-070LF								.610/15.49	2	NOT TOOLED
-071LF								.733/18.62	1	NOT TOOLED
10080054-072LF	2 X 8	D	LOW PROFILE	1.56/39.62	.700/17.78	1.020/25.91	1.400/35.56	.733/18.62	2	NOTE 12



Copyright FCI

mat'l. code		surface ISO 1302	tolerance ISO 406 ISO 1101	projection 	product family QUICKIE
ltr	ecr no	dr	date	tolerances unless otherwise specified	title
E				angles linear XX±.01/XX±0.3 .XXX±.005/XX±0.13 .XXXX±.0020/XXX±0.051	E.O.N. HDR. ASSEMBLY SEA HORSE 4 WALL
				0°±2'	INCH/MM scale 1:1
		dr	M.HERNANDEZ	6/18/07	dwg no 10080054
		enr	M.BARRIOS	6/18/07	sheet 4 of 13 size A3
		chr	M.BARRIOS	6/18/07	type Product Customer Drawing
		appd	M.BARRIOS	6/18/07	
sheet index	revision sheet				

PRODUCT NUMBER	SIZE	STYLE	LATCH	DIM A	DIM B	DIM C	DIM D	DIM E	PIN PLATING	LEAD FREE
10080054-073LF	2 X 10	D	NONE	1.76/44.70	.900/22.86	1.220/30.99	1.600/40.64	.160/4.06	1	NOTE 12
-074LF								.160/4.06	2	
-075LF								.610/15.49	1	NOT TOOLED
-076LF								.610/15.49	2	NOT TOOLED
-077LF								.733/18.62	1	NOT TOOLED
-078LF			NONE					.733/18.62	2	NOT TOOLED
-079LF			STD.					.160/4.06	1	
-080LF								.160/4.06	2	
-081LF								.610/15.49	1	NOT TOOLED
-082LF								.610/15.49	2	NOT TOOLED
-083LF								.733/18.62	1	NOT TOOLED
-084LF			STD.					.733/18.62	2	NOT TOOLED
-085LF			LOW PROFILE					.160/4.06	1	
-086LF								.160/4.06	2	
-087LF								.610/15.49	1	NOT TOOLED
-088LF								.610/15.49	2	NOT TOOLED
-089LF								.733/18.62	1	NOT TOOLED
-090LF	2 X 10	D	LOW PROFILE	1.76/44.70	.900/22.86	1.220/30.99	1.600/40.64	.733/18.62	2	NOT TOOLED
-091LF	2 X 12	D	NONE	1.96/49.78	1.100/27.94	1.420/36.07	1.800/45.72	.160/4.06	1	
-092LF								.160/4.06	2	
-093LF								.610/15.49	1	NOT TOOLED
-094LF								.610/15.49	2	NOT TOOLED
-095LF								.733/18.62	1	NOT TOOLED
-096LF			NONE					.733/18.62	2	NOT TOOLED
-097LF			STD.					.160/4.06	1	
-098LF								.160/4.06	2	
-099LF								.610/15.49	1	NOT TOOLED
-100LF								.610/15.49	2	NOT TOOLED
-101LF								.733/18.62	1	NOT TOOLED
-102LF			STD.					.733/18.62	2	NOT TOOLED
-103LF			LOW PROFILE					.160/4.06	1	
-104LF								.160/4.06	2	
-105LF								.610/15.49	1	NOT TOOLED
-106LF								.610/15.49	2	NOT TOOLED
-107LF								.733/18.62	1	NOT TOOLED
10080054-108LF	2 X 12	D	LOW PROFILE	1.96/49.78	1.100/27.94	1.420/36.07	1.800/45.72	.733/18.62	2	NOTE 12



Copyright FCI

mat'l. code		surface ISO 1302		tolerance ISO 406 ISO 1101		projection 		product family QUICKIE	
ltr	ecr no	dr	date	tolerances unless otherwise specified					
E				angles	linear	XX±.01/XX±0.3		title E.O.N. HDR. ASSEMBLY SEA HORSE 4 WALL	
						.XXX±.005/XX±0.13		INCH/MM	
				0°±2'		.XXXX±.0020/XXX±0.051		scale 1:1	
				dr	M.HERNANDEZ	6/18/07		dwg no 10080054	
				engr	M.BARRIOS	6/18/07		sheet 5 of 13 size A3	
				chr	M.BARRIOS	6/18/07		type Product Customer Drawing	
				appd	M.BARRIOS	6/18/07			
sheet index	revision sheet								

PRODUCT NUMBER	SIZE	STYLE	LATCH	DIM A	DIM B	DIM C	DIM D	DIM E	PIN PLATING	LEAD FREE
10080054-109LF	2 X 13	D	NONE	2.06/52.32	1.200/30.48	1.520/38.61	1.900/48.26	.160/4.06	1	NOTE 12
-110LF								.160/4.06	2	
-111LF								.610/15.49	1	NOT TOOLED
-112LF								.610/15.49	2	NOT TOOLED
-113LF								.733/18.62	1	NOT TOOLED
-114LF			NONE					.733/18.62	2	NOT TOOLED
-115LF			STD.					.160/4.06	1	
-116LF								.160/4.06	2	
-117LF								.610/15.49	1	NOT TOOLED
-118LF								.610/15.49	2	NOT TOOLED
-119LF								.733/18.62	1	NOT TOOLED
-120LF			STD.					.733/18.62	2	NOT TOOLED
-121LF			LOW PROFILE					.160/4.06	1	
-122LF								.160/4.06	2	
-123LF								.610/15.49	1	NOT TOOLED
-124LF								.610/15.49	2	NOT TOOLED
-125LF								.733/18.62	1	NOT TOOLED
-126LF	2 X 13	D	LOW PROFILE	2.06/52.32	1.200/30.48	1.520/38.61	1.900/48.26	.733/18.62	2	NOT TOOLED
-127LF	2 X 15	D	NONE	2.26/57.40	1.400/35.56	1.720/43.69	2.100/53.34	.160/4.06	1	
-128LF								.160/4.06	2	
-129LF								.610/15.49	1	NOT TOOLED
-130LF								.610/15.49	2	NOT TOOLED
-131LF								.733/18.62	1	NOT TOOLED
-132LF			NONE					.733/18.62	2	NOT TOOLED
-133LF			STD.					.160/4.06	1	
-134LF								.160/4.06	2	
-135LF								.610/15.49	1	NOT TOOLED
-136LF								.610/15.49	2	NOT TOOLED
-137LF								.733/18.62	1	NOT TOOLED
-138LF			STD.					.733/18.62	2	NOT TOOLED
-139LF			LOW PROFILE					.160/4.06	1	
-140LF								.160/4.06	2	
-141LF								.610/15.49	1	NOT TOOLED
-142LF								.610/15.49	2	NOT TOOLED
-143LF								.733/18.62	1	NOT TOOLED
10080054-144LF	2 X 15	D	LOW PROFILE	2.26/57.40	1.400/35.56	1.720/43.69	2.100/53.34	.733/18.62	2	NOTE 12



Copyright FCI

mat'l. code		surface ISO 1302	tolerance ISO 406 ISO 1101	projection 	product family QUICKIE
ltr	ecn no	dr	date	title E.O.N. HDR. ASSEMBLY SEA HORSE 4 WALL	
E				tolerances unless otherwise specified	scale 1:1
				linear XX±.01/XX±0.3 .XXX±.005/XX±0.13 .XXXX±.0020/XXX±0.051	INCH/MM
				angles 0°±2'	sheet 6 of 13 size
				dr M.HERNANDEZ 6/18/07	10080054 A3
				enr M.BARRIOS 6/18/07	type Product Customer Drawing
				chr M.BARRIOS 6/18/07	
				appd M.BARRIOS 6/18/07	
sheet index	revision sheet				

PRODUCT NUMBER	SIZE	STYLE	LATCH	DIM A	DIM B	DIM C	DIM D	DIM E	PIN PLATING	LEAD FREE
10080054-145LF	2 X 17	D	NONE	2.46/62.48	1.600/40.64	1.920/48.79	2.300/58.42	.160/4.06	1	NOTE 12
-146LF								.160/4.06	2	
-147LF								.610/15.49	1	NOT TOOLED
-148LF								.610/15.49	2	NOT TOOLED
-149LF								.733/18.62	1	NOT TOOLED
-150LF			NONE					.733/18.62	2	NOT TOOLED
-151LF			STD.					.160/4.06	1	
-152LF								.160/4.06	2	
-153LF								.610/15.49	1	NOT TOOLED
-154LF								.610/15.49	2	NOT TOOLED
-155LF								.733/18.62	1	NOT TOOLED
-156LF			STD.					.733/18.62	2	NOT TOOLED
-157LF			LOW PROFILE					.160/4.06	1	
-158LF								.160/4.06	2	
-159LF								.610/15.49	1	NOT TOOLED
-160LF								.610/15.49	2	NOT TOOLED
-161LF								.733/18.62	1	NOT TOOLED
-162LF	2 X 17	D	LOW PROFILE	2.46/62.48	1.600/40.64	1.920/48.79	2.300/58.42	.733/18.62	2	NOT TOOLED
-163LF	2 X 20	D	NONE	2.76/70.10	1.900/48.26	2.220/56.39	2.600/66.04	.160/4.06	1	
-164LF								.160/4.06	2	
-165LF								.610/15.49	1	NOT TOOLED
-166LF								.610/15.49	2	NOT TOOLED
-167LF								.733/18.62	1	NOT TOOLED
-168LF			NONE					.733/18.62	2	NOT TOOLED
-169LF			STD.					.160/4.06	1	
-170LF								.160/4.06	2	
-171LF								.610/15.49	1	NOT TOOLED
-172LF								.610/15.49	2	NOT TOOLED
-173LF								.733/18.62	1	NOT TOOLED
-174LF			STD.					.733/18.62	2	NOT TOOLED
-175LF			LOW PROFILE					.160/4.06	1	
-176LF								.160/4.06	2	
-177LF								.610/15.49	1	NOT TOOLED
-178LF								.610/15.49	2	NOT TOOLED
-179LF								.733/18.62	1	NOT TOOLED
10080054-180LF	2 X 20	D	LOW PROFILE	2.76/70.10	1.900/48.26	2.220/56.39	2.600/66.04	.733/18.62	2	NOTE 12



Copyright FCI

mat'l. code		surface ISO 1302 <input checked="" type="checkbox"/>		tolerance ISO 406 ISO 1101		projection 		product family QUICKIE		
ltr	ecn no	dr	date	tolerances unless otherwise specified						
E				angles	linear	XX±.01/XX±0.3	INCH/MM		title E.O.N. HDR. ASSEMBLY SEA HORSE 4 WALL	
				0°±2'		.XXX±.005/XX±0.13	scale 1:1			
		dr	M.HERNANDEZ	6/18/07	FCI					dwg no 10080054
		enrg	M.BARRIOS	6/18/07						sheet 7 of 13 size A3
		chr	M.BARRIOS	6/18/07						type Product Customer Drawing
		appd	M.BARRIOS	6/18/07						
sheet index	revision sheet									

PRODUCT NUMBER	SIZE	STYLE	LATCH	DIM A	DIM B	DIM C	DIM D	DIM E	PIN PLATING	LEAD FREE
10080054-181LF	2 X 22	D	NONE	2.96/75.18	2.100/53.34	2.420/61.47	2.800/71.12	.160/4.06	1	NOTE 12
-182LF								.160/4.06	2	
-183LF								.610/15.49	1	NOT TOOLED
-184LF								.610/15.49	2	NOT TOOLED
-185LF								.733/18.62	1	NOT TOOLED
-186LF			NONE					.733/18.62	2	NOT TOOLED
-187LF			STD.					.160/4.06	1	
-188LF								.160/4.06	2	
-189LF								.610/15.49	1	NOT TOOLED
-190LF								.610/15.49	2	NOT TOOLED
-191LF								.733/18.62	1	NOT TOOLED
-192LF			STD.					.733/18.62	2	NOT TOOLED
-193LF			LOW PROFILE					.160/4.06	1	
-194LF								.160/4.06	2	
-195LF								.610/15.49	1	NOT TOOLED
-196LF								.610/15.49	2	NOT TOOLED
-197LF								.733/18.62	1	NOT TOOLED
-198LF	2 X 22	D	LOW PROFILE	2.96/75.18	2.100/53.34	2.420/61.47	2.800/71.12	.733/18.62	2	NOT TOOLED
-199LF	2 X 25	D	NONE	3.26/82.80	2.400/60.96	2.720/69.09	3.100/78.74	.160/4.06	1	
-200LF								.160/4.06	2	
-201LF								.610/15.49	1	NOT TOOLED
-202LF								.610/15.49	2	NOT TOOLED
-203LF								.733/18.62	1	NOT TOOLED
-204LF			NONE					.733/18.62	2	NOT TOOLED
-205LF			STD.					.160/4.06	1	
-206LF								.160/4.06	2	
-207LF								.610/15.49	1	NOT TOOLED
-208LF								.610/15.49	2	NOT TOOLED
-209LF								.733/18.62	1	NOT TOOLED
-210LF			STD.					.733/18.62	2	NOT TOOLED
-211LF			LOW PROFILE					.160/4.06	1	
-212LF								.160/4.06	2	
-213LF								.610/15.49	1	NOT TOOLED
-214LF								.610/15.49	2	NOT TOOLED
-215LF								.733/18.62	1	NOT TOOLED
10080054-216LF	2 X 25	D	LOW PROFILE	3.26/82.80	2.400/60.96	2.720/69.09	3.100/78.74	.733/18.62	2	NOTE 12



Copyright FCI

mat'l. code		surface ISO 1302	tolerance ISO 406 ISO 1101	projection 	product family QUICKIE
ltr	ecr no	dr	date	tolerances unless otherwise specified	title
E				linear XX±.01/XX±0.3 .XXX±.005/XX±0.13 .XXXX±.0020/XXX±0.051	E.O.N. HDR. ASSEMBLY SEA HORSE 4 WALL
				angles 0°±2°	INCH/MM scale 1:1
		dr	M.HERNANDEZ	6/18/07	dwg no 10080054
		enr	M.BARRIOS	6/18/07	sheet 8 of 13 size A3
		chr	M.BARRIOS	6/18/07	type Product Customer Drawing
		appd	M.BARRIOS	6/18/07	
sheet index	revision sheet				



PRODUCT NUMBER	SIZE	STYLE	LATCH	DIM A	DIM B	DIM C	DIM D	DIM E	PIN PLATING	LEAD FREE
10080054-217LF	2 X 30	D	NONE	3.76/95.50	2.900/73.66	3.220/81.79	3.600/91.44	.160/4.06	1	NOTE 12
-218LF								.160/4.06	2	
-219LF								.610/15.49	1	NOT TOOLED
-220LF								.610/15.49	2	NOT TOOLED
-221LF								.733/18.62	1	NOT TOOLED
-222LF			NONE					.733/18.62	2	NOT TOOLED
-223LF			STD.					.160/4.06	1	
-224LF								.160/4.06	2	
-225LF								.610/15.49	1	NOT TOOLED
-226LF								.610/15.49	2	NOT TOOLED
-227LF								.733/18.62	1	NOT TOOLED
-228LF			STD.					.733/18.62	2	NOT TOOLED
-229LF			LOW PROFILE					.160/4.06	1	
-230LF								.160/4.06	2	
-231LF								.610/15.49	1	NOT TOOLED
-232LF								.610/15.49	2	NOT TOOLED
-233LF								.733/18.62	1	NOT TOOLED
-234LF	2 X 30	D	LOW PROFILE	3.76/95.50	2.900/73.66	3.220/81.79	3.600/91.44	.733/18.62	2	NOT TOOLED
-235LF	2 X 5	A	STD.	1.26/32.00	.400/10.16	.720/18.28	1.100/27.94	.250/6.35	2	NOTE 10 NOT TOOLED
-236LF	2 X 8	D		1.56/39.62	.700/17.78	1.020/25.91	1.400/35.56			NOTE 10 NOT TOOLED
-237LF	2 X 10			1.76/44.70	.900/22.86	1.220/30.99	1.600/40.64			NOTE 10 NOT TOOLED
-238LF	2 X 13			2.06/52.34	1.200/30.48	1.520/38.61	1.900/48.26			NOTE 10 NOT TOOLED
-239LF	2 X 17			2.46/62.48	1.600/40.64	1.920/48.79	2.300/58.42			NOTE 10 NOT TOOLED
-240LF	2 X 20			2.76/70.10	1.900/48.26	2.220/56.39	2.600/66.04			NOTE 10 NOT TOOLED
-241LF	2 X 25			3.26/82.80	2.400/60.96	2.720/69.09	3.100/78.74			NOTE 10 NOT TOOLED
-242LF	2 X 30	D	STD.	3.76/95.50	2.900/73.66	3.220/81.79	3.600/91.44			NOTE 10 NOT TOOLED
-243LF	2 X 15	D	STD.	2.26/57.40	1.400/35.56	1.720/43.69	2.100/53.34			NOTE 10 NOT TOOLED
-244LF	2 X 5	A	NONE	1.26/32.00	.400/10.16	.720/18.28	1.100/27.94			NOT TOOLED
-245LF	2 X 8	D		1.56/39.62	.700/17.78	1.020/25.91	1.400/35.56			NOT TOOLED
-246LF	2 X 10			1.76/44.70	.900/22.86	1.220/30.99	1.600/40.64			NOT TOOLED
-247LF	2 X 13			2.06/52.34	1.200/30.48	1.520/38.61	1.900/48.26			NOT TOOLED
-248LF	2 X 17			2.46/62.48	1.600/40.64	1.920/48.79	2.300/58.42			NOT TOOLED
-249LF	2 X 20			2.76/70.10	1.900/48.26	2.220/56.39	2.600/66.04			NOT TOOLED
-250LF	2 X 25			3.26/82.80	2.400/60.96	2.720/69.09	3.100/78.74			NOT TOOLED
10080054-251LF	2 X 30			3.76/95.50	2.900/73.66	3.220/81.79	3.600/91.44	.250/6.35	2	NOTE 12



Copyright FCJ

mat'l. code		surface ISO 1302	tolerance ISO 406 ISO 1101	projection 	product family QUICKIE
ltr	ecn no	dr	date	tolerances unless otherwise specified	title E.O.N. HDR. ASSEMBLY SEA HORSE 4 WALL
E				angles linear 0°±2'	INCH/MM scale 1:1
				dr M.HERNANDEZ 6/18/07	dwg no 10080054 sheet 9 of 13 size A3
				enr M.BARRIOS 6/18/07	type Product Customer Drawing
				chr M.BARRIOS 6/18/07	
				appd M.BARRIOS 6/18/07	
sheet index	revision sheet				

PRODUCT NUMBER	SIZE	STYLE	LATCH	DIM A	DIM B	DIM C	DIM D	DIM E	PIN PLATING	POLARIZED MISSING PIN	LEAD FREE	
10080054-252LF	2 x 15	D	NGNE	2.26/57.40	1.400/36.56	1.720/43.69	2.100/53.34	.250/6.35	2		NOTE 12	NOT TOOLED
10080054-253LF	2 X 20	D	STD.	2.76/70.10	1.900/48.26	2.220/56.39	2.600/66.04	.160/4.06	2	PIN #20	NOTE 12	
10080054-309LF	2 x 5	B	STD.	1.26/32.00	.400/10.16	.720/18.28	1.100/27.94	.160/4.06	1	PIN #1	NOTE 12	NOT TOOLED
10080054-310LF	2 x 17	D	STD.	2.46/62.48	1.600/40.64	1.920/48.79	2.300/58.42	.160/4.06	1	PIN #25	NOTE 12	



FCJconnect.com

Copyright FCJ

mat'l. code		surface ISO 1302		tolerance ISO 406 ISO 1101		projection 		product family QUICKIE	
ltr	ecn no	dr	date	tolerances unless otherwise specified		INCH/MM		title E.O.N. HDR. ASSEMBLY SEA HORSE 4 WALL	
E				angles	linear	scale 1:1		dwg no 10080054	
				0° ± 2'	.XX ± 0.1 / X ± 0.3 .XXX ± 0.05 / XX ± 0.13 .XXXX ± 0.020 / XXX ± 0.051	sheet 10 of 13 size A3		type Product Customer Drawing	
				dr	M.HERNANDEZ	6/18/07		FCJ logo	
				enr	M.BARRIOS	6/18/07			
				chr	M.BARRIOS	6/18/07			
				appd	M.BARRIOS	6/18/07			
sheet index	revision sheet								

form A3 1 2 3 4 5 6

PRODUCT NUMBER	SIZE	STYLE	LATCH	DIM A	DIM B	DIM C	DIM D	DIM E	PIN PLATING	NOTES	PIN REMOVED	LEAD FREE	
10080054-400LF	2 x 5	A	NONE	1.26/32.00	.400/10.16	-.720/18.28	1.100/27.94	-.250/6.35	4			NOTE 12	NOT TOOLED
-401LF	2 x 7	C		1.460/37.08	.600/15.24	-.920/23.37	1.300/33.02						NOT TOOLED
-402LF	2 x 8	D		1.56/39.62	.700/17.78	1.020/25.91	1.400/35.56						NOT TOOLED
-403LF	2 x 10			1.76/44.70	.900/22.86	1.220/30.99	1.600/40.64						NOT TOOLED
-404LF	2 x 12			1.960/49.78	1.100/27.94	1.420/36.07	1.800/45.72						NOT TOOLED
-405LF	2 x 13			2.06/52.34	1.200/30.48	1.520/38.61	1.900/48.26						NOT TOOLED
-406LF	2 x 15			2.26/57.40	1.400/35.56	1.720/43.69	2.100/53.34						NOT TOOLED
-407LF	2 x 17			2.46/62.48	1.600/40.64	1.920/48.79	2.300/58.42						NOT TOOLED
-408LF	2 x 20			2.76/70.10	1.900/48.26	2.220/56.39	2.600/66.04						NOT TOOLED
-409LF	2 x 22			2.960/75.18	2.100/53.34	2.420/61.47	2.800/71.12						NOT TOOLED
-410LF	2 x 25			3.26/82.80	2.400/60.96	2.720/69.09	3.100/78.74						NOT TOOLED
-411LF	2 x 30	D	NONE	3.76/95.50	2.900/73.66	3.220/81.79	3.600/91.44						NOT TOOLED
-420LF	2 x 5	A	STD.	1.26/32.00	.400/10.16	-.720/18.28	1.100/27.94			NOTE 10			NOT TOOLED
-421LF	2 x 7	C		1.460/37.08	.600/15.24	-.920/23.37	1.300/33.02			NOTE 10			NOT TOOLED
-422LF	2 x 8	D		1.56/39.62	.700/17.78	1.020/25.91	1.400/35.56			NOTE 10			NOT TOOLED
-423LF	2 x 10			1.76/44.70	.900/22.86	1.220/30.99	1.600/40.64			NOTE 10			NOT TOOLED
-424LF	2 x 12			1.960/49.78	1.100/27.94	1.420/36.07	1.800/45.72			NOTE 10			NOT TOOLED
-425LF	2 x 13			2.06/52.34	1.200/30.48	1.520/38.61	1.900/48.26			NOTE 10			NOT TOOLED
-426LF	2 x 15			2.26/57.40	1.400/35.56	1.720/43.69	2.100/53.34			NOTE 10			NOT TOOLED
-427LF	2 x 17			2.46/62.48	1.600/40.64	1.920/48.79	2.300/58.42			NOTE 10			NOT TOOLED
-428LF	2 x 20			2.76/70.10	1.900/48.26	2.220/56.39	2.600/66.04			NOTE 10			NOT TOOLED
-429LF	2 x 22			2.960/75.18	2.100/53.34	2.420/61.47	2.800/71.12			NOTE 10			NOT TOOLED
-430LF	2 x 25			3.26/82.80	2.400/60.96	2.720/69.09	3.100/78.74			NOTE 10			NOT TOOLED
-431LF	2 x 30	D	STD.	3.76/95.50	2.900/73.66	3.220/81.79	3.600/91.44			NOTE 10			NOT TOOLED
-440LF	2 x 5	A	LOW PROFILE	1.26/32.00	.400/10.16	-.720/18.28	1.100/27.94						NOT TOOLED
-441LF	2 x 7	C		1.460/37.08	.600/15.24	-.920/23.37	1.300/33.02						NOT TOOLED
-442LF	2 x 8	D		1.56/39.62	.700/17.78	1.020/25.91	1.400/35.56						NOT TOOLED
-443LF	2 x 10			1.76/44.70	.900/22.86	1.220/30.99	1.600/40.64						NOT TOOLED
-444LF	2 x 12			1.960/49.78	1.100/27.94	1.420/36.07	1.800/45.72						NOT TOOLED
-445LF	2 x 13			2.06/52.34	1.200/30.48	1.520/38.61	1.900/48.26						NOT TOOLED
-446LF	2 x 15			2.26/57.40	1.400/35.56	1.720/43.69	2.100/53.34						NOT TOOLED
-447LF	2 x 17			2.46/62.48	1.600/40.64	1.920/48.79	2.300/58.42						NOT TOOLED
-448LF	2 x 20			2.76/70.10	1.900/48.26	2.220/56.39	2.600/66.04						NOT TOOLED
-449LF	2 x 22			2.960/75.18	2.100/53.34	2.420/61.47	2.800/71.12						NOT TOOLED
-450LF	2 x 25			3.26/82.80	2.400/60.96	2.720/69.09	3.100/78.74						NOT TOOLED
-451LF	2 x 30	D	LOW PROFILE	3.76/95.50	2.900/73.66	3.220/81.79	3.600/91.44	-.250/6.35	4				NOT TOOLED
10080054-452LF	2 x 7	C	STD.	1.460/37.08	.600/15.24	.920/23.37	1.300/33.02	.160/4.06	1	NOTE 10	14	NOTE 12	



FCconnect.com

Copyright FCJ

mat'l. code		surface ISO 1302 <input checked="" type="checkbox"/>		tolerance ISO 406 ISO 1101		projection 		product family QUICKIE	
ltr	ecn no	dr	date	tolerances unless otherwise specified					
E				angles	linear	XX±.01/XX±0.3		title E.O.N. HDR. ASSEMBLY SEA HORSE 4 WALL	
				0°±2'		.XXX±.005/XX±0.13		INCH/MM	
						.XXXX±.0020/XXX±0.051		scale 1:1	
		dr	M.HERNANDEZ	6/18/07	dwg no 10080054				
		enr	M.BARRIOS	6/18/07	sheet 11 of 13 size A3				
		chr	M.BARRIOS	6/18/07	type Product Customer Drawing				
		appd	M.BARRIOS	6/18/07					
sheet index	revision sheet								

PRODUCT NUMBER	SIZE	STYLE	LATCH	DIM A	DIM B	DIM C	DIM D	DIM E	PIN PLATING	POSITION OMITTED	LEAD FREE
10080054-500LF	2 x 5	A	NONE	1.260/32.00	.400/10.16	.720/18.28	1.100/27.94	.160/4.06	5		
-501LF	2 x 7	C		1.460/37.08	.600/15.24	.920/23.37	1.300/33.02				
-502LF	2 x 8	D		1.560/39.62	.700/17.78	1.020/25.91	1.400/35.56				
-503LF	2 x 10			1.760/44.70	.900/22.86	1.220/30.99	1.600/40.64				
-504LF	2 x 12			1.960/49.78	1.100/27.49	1.420/36.07	1.800/45.72				
-505LF	2 x 13			2.060/52.34	1.200/30.48	1.520/38.61	1.900/48.26				
-506LF	2 x 15			2.260/57.40	1.400/35.56	1.720/43.69	2.100/53.34				
-507LF	2 x 17			2.460/62.48	1.600/40.64	1.920/48.79	2.300/58.42				
-508LF	2 x 20			2.760/70.10	1.900/48.26	2.220/56.39	2.600/66.04				
-509LF	2 x 22			2.960/75.18	2.100/53.34	2.420/61.47	2.800/71.12				
-510LF	2 x 25			3.260/82.80	2.400/60.96	2.720/69.09	3.100/78.74				
-511LF	2 x 30	D	NONE	3.760/95.50	2.900/73.66	3.220/81.79	3.600/91.44				
-520LF	2 x 5	A	STD.	1.260/32.00	.400/10.16	.720/18.28	1.100/27.94				
-521LF	2 x 7	C		1.460/37.08	.600/15.24	.920/23.37	1.300/33.02				
-522LF	2 x 8	D		1.560/39.62	.700/17.78	1.020/25.91	1.400/35.56				
-523LF	2 x 10			1.760/44.70	.900/22.86	1.220/30.99	1.600/40.64				
-524LF	2 x 12			1.960/49.78	1.100/27.49	1.420/36.07	1.800/45.72				
-525LF	2 x 13			2.060/52.34	1.200/30.48	1.520/38.61	1.900/48.26				
-526LF	2 x 15			2.260/57.40	1.400/35.56	1.720/43.69	2.100/53.34				
-527LF	2 x 17			2.460/62.48	1.600/40.64	1.920/48.79	2.300/58.42				
-528LF	2 x 20			2.760/70.10	1.900/48.26	2.220/56.39	2.600/66.04				
-529LF	2 x 22			2.960/75.18	2.100/53.34	2.420/61.47	2.800/71.12				
-530LF	2 x 25			3.260/82.80	2.400/60.96	2.720/69.09	3.100/78.74				
-531LF	2 x 30	D	STD.	3.760/95.50	2.900/73.66	3.220/81.79	3.600/91.44				
-540LF	2 x 5	A	LOW PROFILE	1.260/32.00	.400/10.16	.720/18.28	1.100/27.94				
-541LF	2 x 7	C		1.460/37.08	.600/15.24	.920/23.37	1.300/33.02				
-542LF	2 x 8	D		1.560/39.62	.700/17.78	1.020/25.91	1.400/35.56				
-543LF	2 x 10			1.760/44.70	.900/22.86	1.220/30.99	1.600/40.64				
-544LF	2 x 12			1.960/49.78	1.100/27.49	1.420/36.07	1.800/45.72				
-545LF	2 x 13			2.060/52.34	1.200/30.48	1.520/38.61	1.900/48.26				
-546LF	2 x 15			2.260/57.40	1.400/35.56	1.720/43.69	2.100/53.34				
-547LF	2 x 17			2.460/62.48	1.600/40.64	1.920/48.79	2.300/58.42				
-548LF	2 x 20			2.760/70.10	1.900/48.26	2.220/56.39	2.600/66.04				
-549LF	2 x 22			2.960/75.18	2.100/53.34	2.420/61.47	2.800/71.12				
-550LF	2 x 25			3.260/82.80	2.400/60.96	2.720/69.09	3.100/78.74				
-551LF	2 x 30		LOW PROFILE	3.760/95.50	2.900/73.66	3.220/81.79	3.600/91.44				
-552LF	2 x 8		NONE	1.560/39.62	.700/17.78	1.020/25.91	1.400/35.56			2	
-553LF	2 x 8		STD	1.560/39.62	.700/17.78	1.020/25.91	1.400/35.56			2	
-554LF	2 x 10		NONE	1.760/44.70	.900/22.86	1.220/30.99	1.600/40.64			2	
-555LF	2 x 10		STD	1.760/44.70	.900/22.86	1.220/30.99	1.600/40.64			2	
10080054-556LF	2 x 20	D	STD	2.760/70.10	1.900/48.26	2.220/56.39	2.600/66.04	.160/4.06	1	1,15,16,17,18,19,20,21,22,37,38,39,40	NOTE 12

NOTE 12

NOTE 10  
NOTE 10  
NOTE 10  
NOTE 10  
NOTE 10  
NOTE 10  
NOTE 10  
NOTE 10  
NOTE 10  
NOTE 10  
NOTE 10  
NOTE 10



Copyright FCI

mat'l. code		surface ISO 1302		tolerance ISO 406 ISO 1101		projection 		product family QUICKIE	
ltr	ecr no	dr	date	tolerances unless otherwise specified		INCH/MM		title E.O.N. HDR. ASSEMBLY SEA HORSE 4 WALL	
E				angles	linear	scale 1:1		dwg no 10080054	
				0°±2'	.XX±.01/XX±0.3 .XXX±.005/XX±0.13 .XXXX±.0020/XXX±0.051			sheet 12 of 13 size A3	
				dr	M.HERNANDEZ	6/18/07		type Product Customer Drawing	
				enr	M.BARRIOS	6/18/07			
				chr	M.BARRIOS	6/18/07			
				appd	M.BARRIOS	6/18/07			
sheet index	revision sheet								

PRODUCT NUMBER	SIZE	STYLE	LATCH	DIM A	DIM B	DIM C	DIM D	DIM E	PIN PLATING	REMARKS	PINS REMOVED	LEAD FREE
10080054-620LF	2 x 5	A	STD.	1.260/32.00	.400/10.16	.720/18.28	1.100/27.94	.120/3.05	2	MINI-LIF		
-621LF	2 x 7	C	STD.	1.460/37.08	.600/15.24	.920/23.37	1.300/33.02	.120/3.05	2	MINI-LIF		
-640LF	2 x 20	D	STD.	2.760/70.10	1.900/48.26	2.220/56.39	2.600/66.04	.120/3.05	2	MINI-LIF		
-650LF	2 x 25	D	STD.	3.260/82.80	2.400/60.96	2.720/69.09	3.100/78.74	.120/3.05	2	MINI-LIF		
-651LF	2 x 22	D	STD.	2.960/75.18	2.100/53.34	2.420/61.47	2.800/71.12	.160/4.06	1		REMOVE PINS: 2,3,6,7,10,11,14,15,18,19,22,23, 26,27,30,31,34,35,38,39,42,43 & 44	
-652LF	2 x 5	A	STD.	1.260/32.00	.400/10.16	.720/18.29	1.100/27.94				REMOVE PINS: 10	
-653LF	2 x 5	B	STD.	1.260/32.00	.400/10.16	.720/18.29	1.100/27.94				REMOVE PINS: 10	
-654LF	2 x 7	C	STD.	1.460/37.08	.600/15.24	.920/23.37	1.300/33.02				REMOVE PINS: 14	
-710LF	2 x 5	A	NONE	1.260/32.00	.400/10.16	.720/18.28	1.100/27.94					
-714LF	2 x 7	C		1.460/37.08	.600/15.24	.920/23.37	1.300/33.02					
-716LF	2 x 8	D		1.560/39.62	.700/17.78	1.020/25.91	1.400/35.56					
-720LF	2 x 10			1.760/44.70	.900/22.86	1.220/30.99	1.600/40.64					
-726LF	2 x 13			2.060/52.32	1.200/30.48	1.520/38.61	1.900/48.26					
-734LF	2 x 17			2.460/62.48	1.600/40.64	1.920/48.79	2.300/58.42					
-740LF	2 x 20			2.760/70.10	1.900/48.26	2.220/56.39	2.600/66.04					
-750LF	2 x 25			3.260/82.80	2.400/60.96	2.720/69.09	3.100/78.74					
-760LF	2 x 30	D	NONE	3.760/95.50	2.900/73.66	3.220/81.79	3.600/91.44					
-810LF	2 x 5	A	STD.	1.260/32.00	.400/10.16	.720/18.29	1.100/27.94					
-814LF	2 x 7	C		1.460/37.08	.600/15.24	.920/23.37	1.300/33.02					
-816LF	2 x 8	D		1.560/39.62	.700/17.78	1.020/25.91	1.400/35.56					
-820LF	2 x 10			1.760/44.70	.900/22.86	1.220/30.99	1.600/40.64					
-826LF	2 x 13			2.060/52.32	1.200/30.48	1.520/38.61	1.900/48.26					
-834LF	2 x 17			2.460/62.48	1.600/40.64	1.920/48.79	2.300/58.42					
-840LF	2 x 20			2.760/70.10	1.900/48.26	2.220/56.39	2.600/66.04					
-850LF	2 x 25			3.260/82.80	2.400/60.96	2.720/69.09	3.100/78.74					
-860LF	2 x 30	D	STD.	3.760/95.50	2.900/73.66	3.220/81.79	3.600/91.44					
-910LF	2 x 5	A	LOW	1.260/32.00	.400/10.16	.720/18.29	1.100/27.94					
-914LF	2 x 7	C		1.460/37.08	.600/15.24	.920/23.37	1.300/33.02					
-916LF	2 x 8	D		1.560/39.62	.700/17.78	1.020/25.91	1.400/35.56					
-920LF	2 x 10			1.760/44.70	.900/22.86	1.220/30.99	1.600/40.64					
-926LF	2 x 13			2.060/52.32	1.200/30.48	1.520/38.61	1.900/48.26					
-934LF	2 x 17			2.460/62.48	1.600/40.64	1.920/48.79	2.300/58.42					
-940LF	2 x 20			2.760/70.10	1.900/48.26	2.220/56.39	2.600/66.04					
-950LF	2 x 25			3.260/82.80	2.400/60.96	2.720/69.09	3.100/78.74					
10080054-960LF	2 x 30	D	LOW	3.760/95.50	2.900/73.66	3.220/81.79	3.600/91.44	.160/4.06	1			

NOTE 12

NOTE 12

NOT TOOLED  
NOT TOOLED  
NOT TOOLED  
NOT TOOLED



Copyright FCI

mat'l. code		surface ISO 1302	tolerance ISO 406 ISO 1101	projection 	product family QUICKIE
ltr	ecr no	dr	date	tolerances unless otherwise specified	title
E				linear XX±.01/XX±0.3 XXX±.005/XX±0.13 XXXX±.0020/XXX±0.051	E.O.N. HDR. ASSEMBLY SEA HORSE 4 WALL
				angles 0°±2'	INCH/MM scale 1:1
		dr	M.HERNANDEZ	6/18/07	dwg no 10080054
		enr	M.BARRIOS	6/18/07	sheet 13 of 13 size A3
		chr	M.BARRIOS	6/18/07	type Product Customer Drawing
		appd	M.BARRIOS	6/18/07	
sheet index	revision	sheet			