

THIS DRAWING IS UNPUBLISHED. RELEASED FOR PUBLICATION
 © COPYRIGHT BY TYCO ELECTRONICS CORPORATION. ALL RIGHTS RESERVED.

LOC	DIST	REVISIONS					
CM	54	P	LTR	DESCRIPTION	DATE	DWN	APVD
		D		ECO-07-012890	22JUN07	KW	DB
		D1		REVISED PER ECO-09-023313	10OCT09	KK	AEG

1 MATERIAL: CONNECTOR - NYLON UL94V-0 (BLACK).
 CONTACTS - 0.30[.012] THICK COPPER ALLOY
 (BRIGHT-TIN LEAD 0.00203
 [.000080] MIN THK FOR CONTACTS
 644501-2 THRU 1-644501-2, MATTE
 WHISKER MITIGATED TIN 0.00203 (.000080)
 MIN THICKNESS OVER NICKEL UNDERPLATE
 FOR 3-644501-2 THRU 4-644501-2)

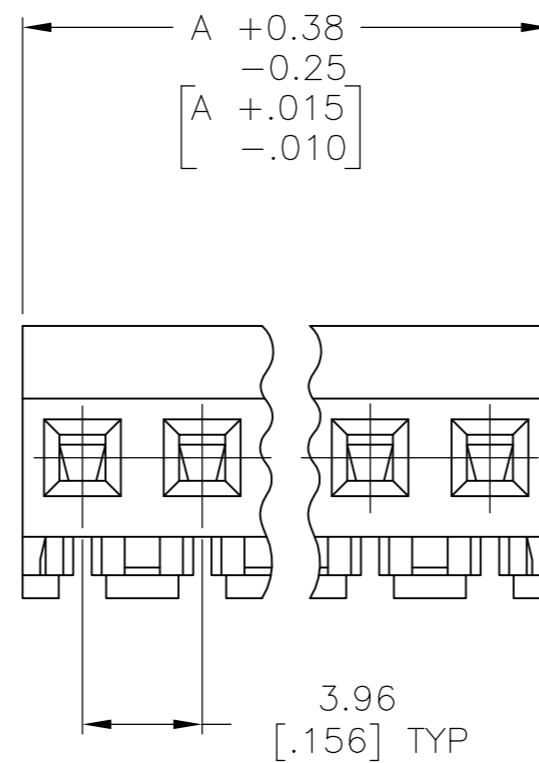
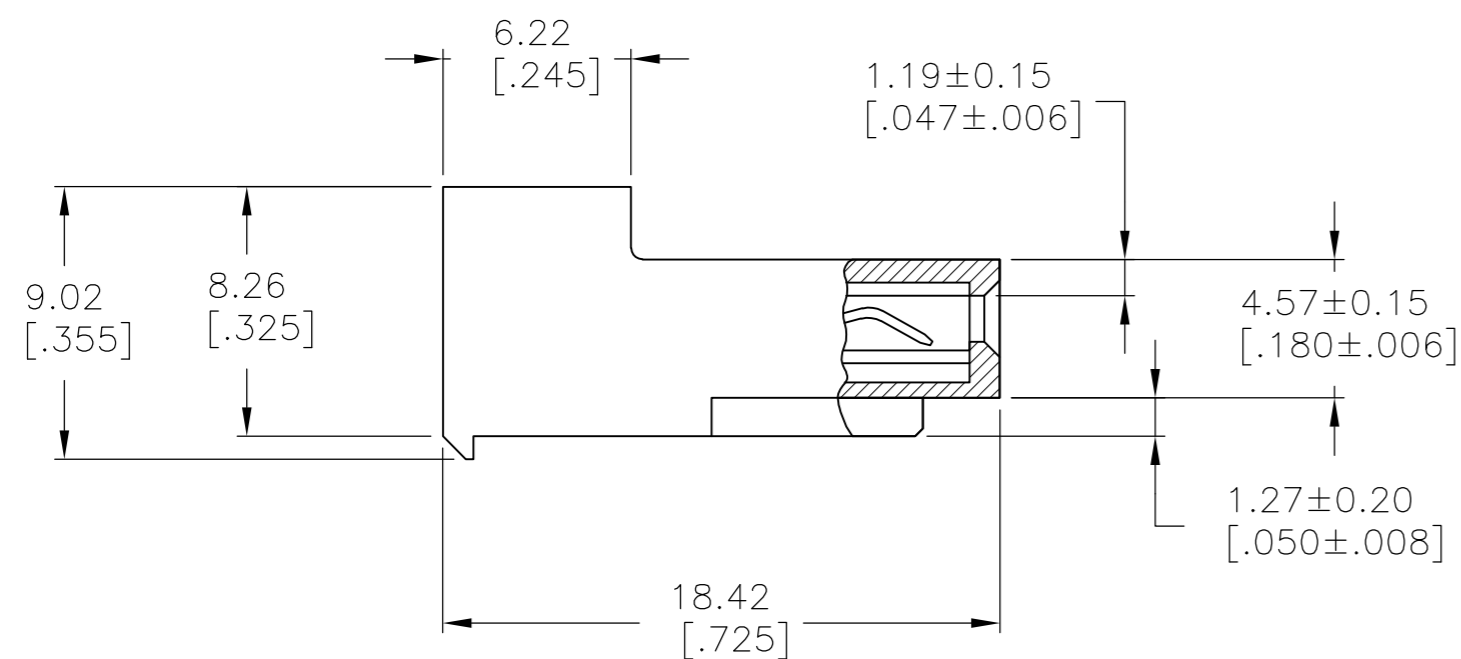
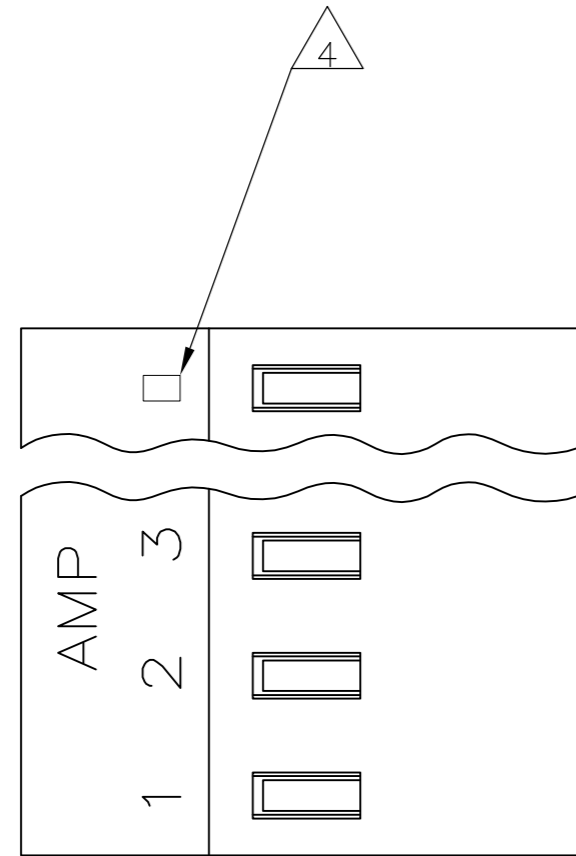
2. CONTACTS ACCEPT 22 AWG WIRE WITH 2.41[.095] MAX
 INSULATION DIAMETER.
 3. CONTACTS MUST ACCEPT 1.14±0.03[.045±.001] SQUARE POST AND
 REMAIN LOCKED IN POSITION.

4 IDENTIFICATION NUMBER FOR LAST CIRCUIT MAY NOT APPEAR ON
 ALL ASSEMBLIES.

5. DIMENSIONS IN BRACKETS ARE IN INCHES.

6. HOUSING FEATURES ARE: CLOSED END WITHOUT LOCKING RAMP.

7 OBSOLETE PARTS: OBSOLETE CIS STREAMLINING PER D.RENAUD/D.SINISI



47.55 [1.872]	12	4-644501-2
43.59 [1.716]	11	4-644501-1
39.62 [1.560]	10	4-644501-0
35.66 [1.404]	9	3-644501-9
31.70 [1.248]	8	3-644501-8
27.74 [1.092]	7	3-644501-7
23.77 [.936]	6	3-644501-6
19.81 [.780]	5	3-644501-5
15.85 [.624]	4	3-644501-4
11.89 [.468]	3	3-644501-3
7.92 [.312]	2	3-644501-2
47.55 [1.872]	12	1-644501-2
43.59 [1.716]	11	1-644501-1
39.62 [1.560]	10	1-644501-0
35.66 [1.404]	9	-644501-9-
31.70 [1.248]	8	-644501-8-
27.74 [1.092]	7	-644501-7-
23.77 [.936]	6	-644501-6-
19.81 [.780]	5	-644501-5-
15.85 [.624]	4	-644501-4-
11.89 [.468]	3	-644501-3-
7.92 [.312]	2	-644501-2-
DIM A		NO. OF CIRCUITS
		PART NO.

7 SUPERSEDED

7 SUPERSEDED



THIS DRAWING IS A CONTROLLED DOCUMENT.		DWN B. LEWIS 12FEB91	Tyco Electronics Corporation Harrisburg, Pa 17105-3608	
DIMENSIONS: mm [INCHES]		CHK R. SWING 12FEB91	NAME MTA 156 CONNECTOR ASSEMBLY, 22 AWG,UL94V-0, SPECIAL	
TOLERANCES UNLESS OTHERWISE SPECIFIED: 0 PLC ± - 1 PLC ± - 2 PLC ± - 3 PLC ± - 4 PLC ± - ANGLES ± -		APVD D. CLARK 20FEB91	PRODUCT SPEC 108-1051	
MATERIAL 1		FINISH 1	APPLICATION SPEC 114-1020	SIZE A2
		WEIGHT -	CAGE CODE 00779	DRAWING NO C=644501
		CUSTOMER DRAWING	SCALE 4:1	SHEET 1 OF 1
			REV D1	