

DESCRIPTION: POWER - SOLDER CUP - MALE - MACHINED

**SPECIFICATIONS:**

**ELECTRICAL:**

INSULATOR RESISTANCE: 5 GOHMS Min.  
 DIELECTRIC WITHSTANDING: 1,000VAC r.m.s.  
 OPERATING TEMPERATURE: -55° C ~ +155° C  
 CONTACT RESISTANCE: 1.0 Milliohms Max.  
 POWER PINS: SEE PART No. BELOW

**MECHANICAL:**

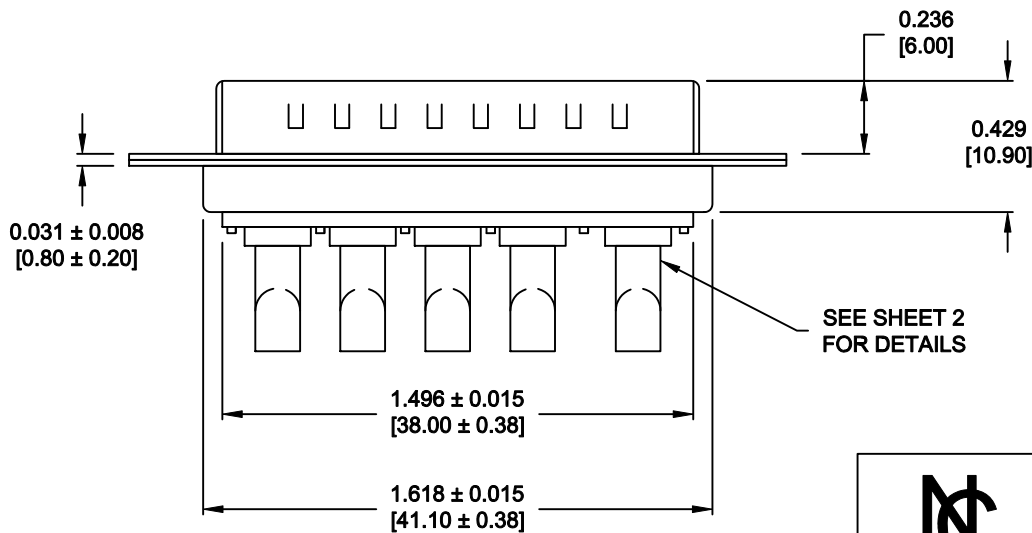
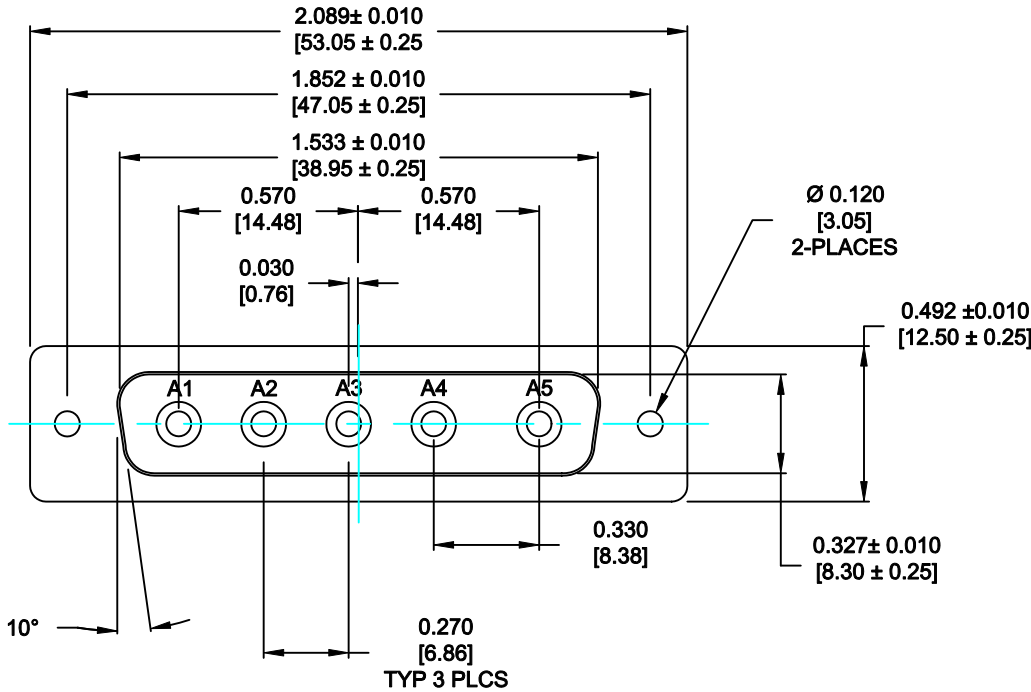
CONTACT INSERTION FORCE: 4.5 Kg Max.  
 CONTACT SEPARATOR FORCE: 0.3Kg Min.

**MATERIALS:**

CONTACTS: COPPER ALLOY  
 INSULATOR: PBT UL94V-0 RATED, BLK  
 230°C PROCESS TEMP.  
 SHELL: STEEL  
 SEAL: F08 FLEXIBLE ADHESIVE

**FINISH:**

SHELL: NICKEL  
 CONTACTS: FULL GOLD FLASH



**680S5W5103LYY1**

0 = NO HARDWARE  
 1 = 098" 4-40 INSERT, BOARD SIDE  
 2 = 20 AMPS  
 4 = 40 AMPS

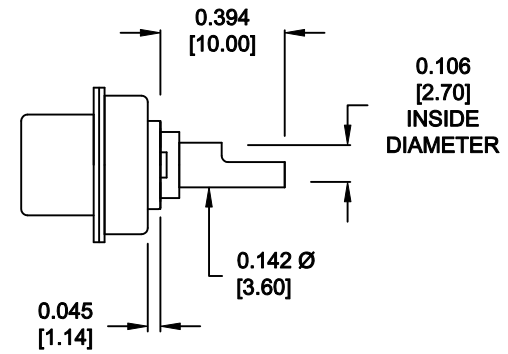
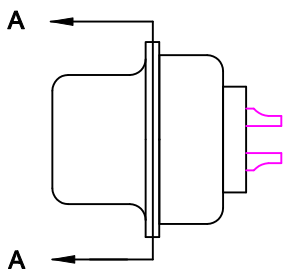
**MEETS IP67 STANDARDS**

(SEE PAGE 2 FOR SEALING DETAILS)

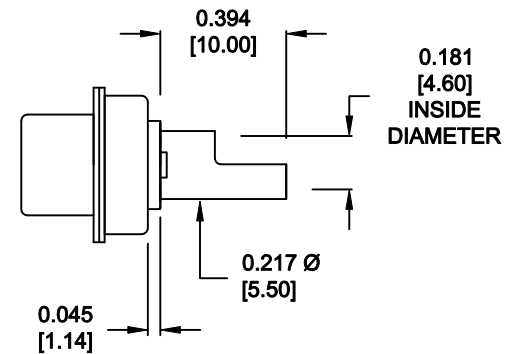
**RoHS COMPLIANT**

	THESE DRAWINGS AND SPECIFICATIONS ARE THE PROPERTY OF NorComp AND SHALL NOT BE REPRODUCED, COPIED OR USED AS THE BASIS FOR THE MANUFACTURE OF SALE OF APPARATUS WITHOUT WRITTEN PERMISSION.		DRAWN: <b>P. JENKINS</b>	DATE: <b>09-13-11</b>
			CHECKED: <b>X</b>	DATE: <b>X</b>
<b>NorComp</b>		SCALE: <b>N.T.S.</b>	SHEET <b>1</b>	OF <b>2</b>
		DWG NO. <b>680S5W5103LYY1</b>		

**NOTE:  
POWER CONTACTS COME  
PRE-LOADED INTO INSULATORS**

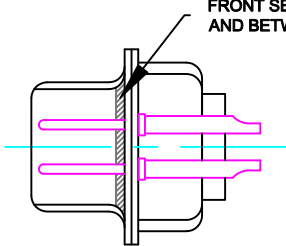


**20 AMP POWER CONTACTS  
ACCEPTS UP TO 12 AWG WIRE**



**40 AMP POWER CONTACTS  
ACCEPTS UP TO 8 AWG WIRE**

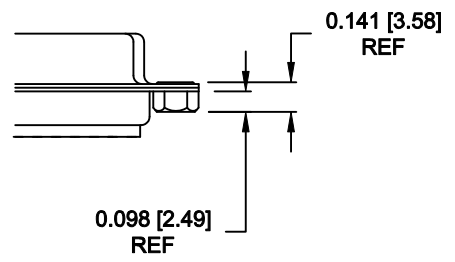
FRONT SEAL APPLIED OVER INSULATOR  
AND BETWEEN FRONT & REAR SHELLS



**DETAIL A-A  
SHOWN FOR REFERENCE ONLY**

**HARDWARE OPTION**

01X ..... 0.098" (BOARD SIDE) - CN1



**RoHS COMPLIANT**

	THESE DRAWINGS AND SPECIFICATIONS ARE THE PROPERTY OF NorComp AND SHALL NOT BE REPRODUCED, COPIED OR USED AS THE BASIS FOR THE MANUFACTURE OF SALE OF APPARATUS WITHOUT WRITTEN PERMISSION.		DRAWN: <b>P. JENKINS</b>	DATE: <b>09-13-11</b>
			CHECKED: <b>X</b>	DATE: <b>X</b>
<h1>NorComp</h1>		SCALE: <b>N.T.S.</b>	SHEET <b>2</b> OF <b>2</b>	REV <b>1</b>
		DWG NO. <b>680S5W5103LYY1</b>		