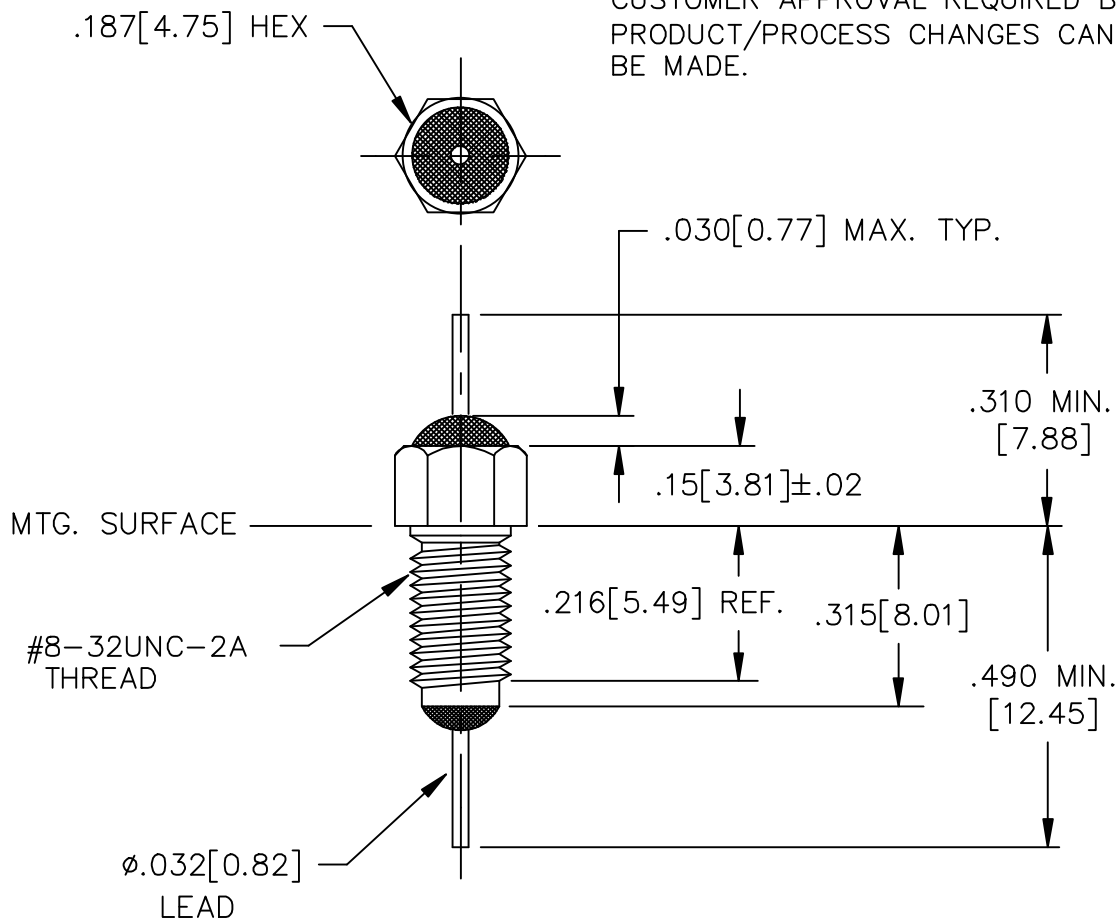
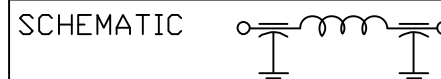


NOTES:

1. MAXIMUM MOUNTING TORQUE = 4lb-in.
2. HARDWARE IS INCLUDED.
- 43 3. THIS PART CODED "NCA". SCI DOES NOT HAVE CHANGE AUTHORITY. CUSTOMER APPROVAL REQUIRED BEFORE PRODUCT/PROCESS CHANGES CAN BE MADE.



LEAD FINISH:	SOLDER
BUSHING FINISH:	SILVER
CAPACITANCE	10nF GMV
TEMP. RANGE	-55°C TO 125°C
CURRENT	20 AMP MAX.
WORKING VOLTAGE	85°C --- VDC MAX. 125°C 50 VDC MAX.
D.C. RESISTANCE	.01ohms MAX.
MIN. I.L. PER MIL-STD-220 AT 25°C NO LOAD	
FREQ. MHz	I.L. (db)
10	20
50	50
100	65
1 GHz	70
10 GHz	70



MARKING:

PART: M15733/61-0014
 BAG: MIL 15733/61-0014
 OLSP2
 DATE CODE
 50VDC
 125°C
 20 AMPS
 XXX QTY/BAG (100 MAX.)
 P.O. XXX
 PACKAGE: TO BE MARKED
 SAME AS THE BAG.

	43	42	REV. NO.	TOLERANCES UNLESS OTHERWISE SPECIFIED
	CN 57806-ENG	CN. 184970 REDRAWN	CHANGE NOTICE	Fractions ± 1/64
				Dec. .xx±
				Dec. .xxx±.010
				Angles ±0° 30'
				CODE IDENT. NO. OLSP2

 SPECTRUM CONTROL INC.		FAIRVIEW PENNSYLVANIA
Dwn. KAUFFMAN Date 2-23-11 Engr. B.DEVINE Scale NONE	Description FEED THRU RESIN SEAL FILTER 51-712-065	