

5

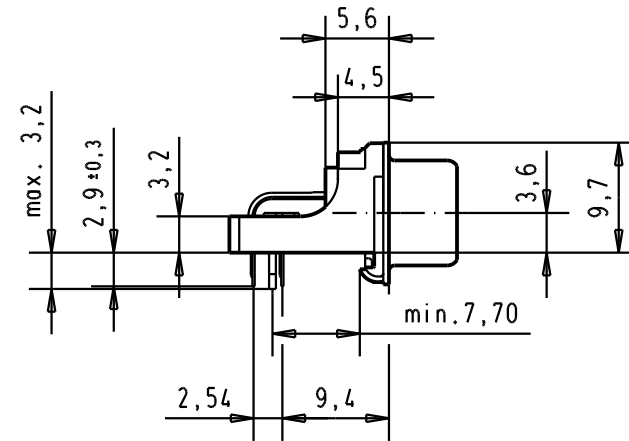
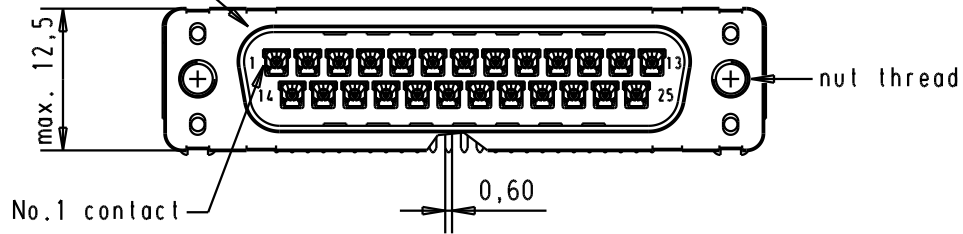
4

3

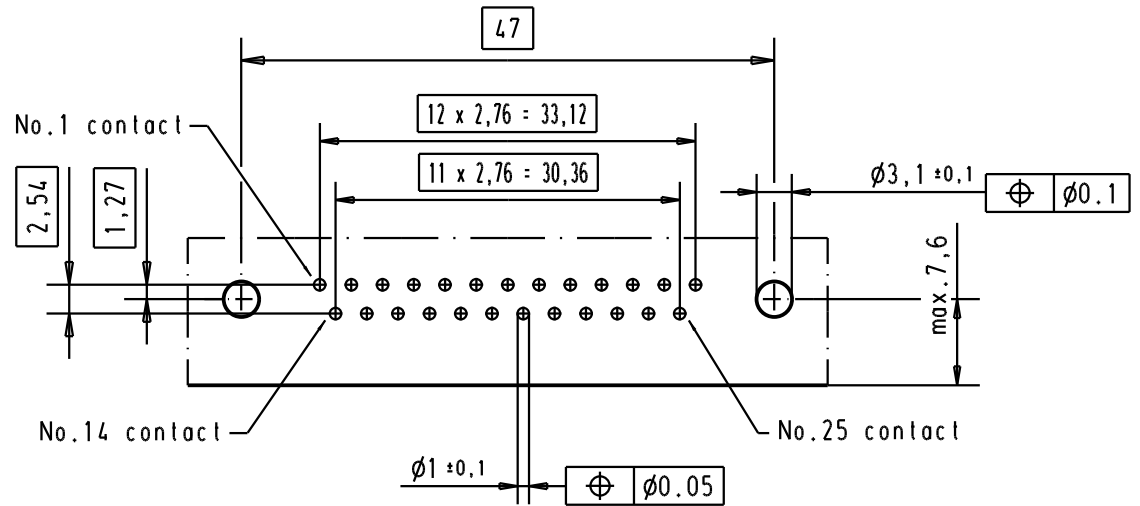
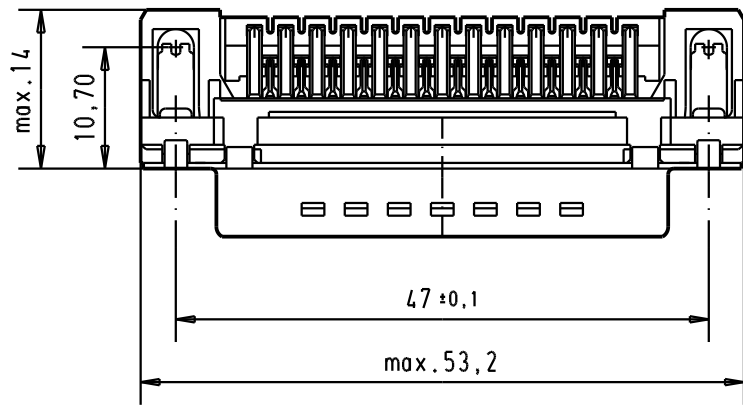
2

1

Mating face according to : MIL-C-24308 / DIN 41652 / CECC 75301-802





PCB layout hole component side



Connector retention and assembling forces on the PCB = 25 / 80 newtons

A

Part number	Nut thread	Performance level	Mod.	Dat.	Name	Dat.	Name	 All Dim. in mm Orig. Size DIN A 4		D-Sub, male, low profil angle, 25 poles, with solder pin, nut, grounding board lock.	Maßstab/ Scale 1.5:1	
09 65 362 3815	M3	1										
09 65 362 6815	M3	2				Detail.	05/jan/01	ALSPACE				
09 65 362 7815	M3	3	31892	22/04/04	JH	Insp.						
09 65 362 3816	4-40 UNC	1	31084	04/09/02	YT	Stand.						
09 65 362 6816	4-40 UNC	2	29689	03/07/01	AA							
09 65 362 7816	4-40 UNC	3	27960	05/jan/01	ALSPACE							
Part number Nut thread Performance level Mod. Dat. Name						HARTING EURL F-95972 Paris					TB 0965362x81x	Blatt/ Page 2
										Sub.		