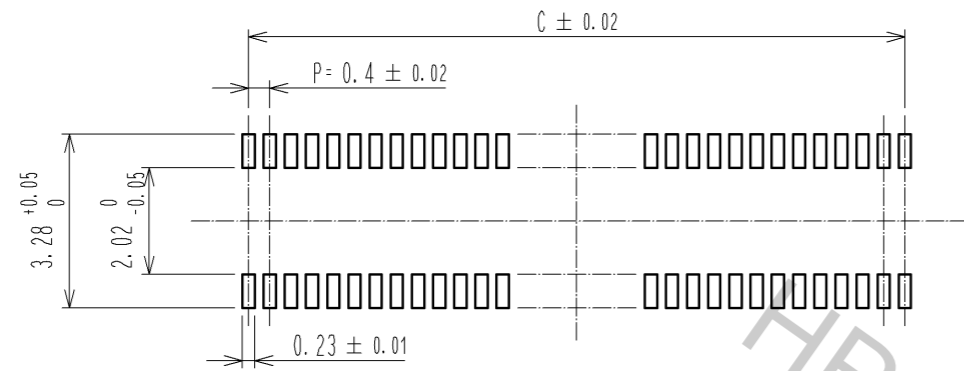
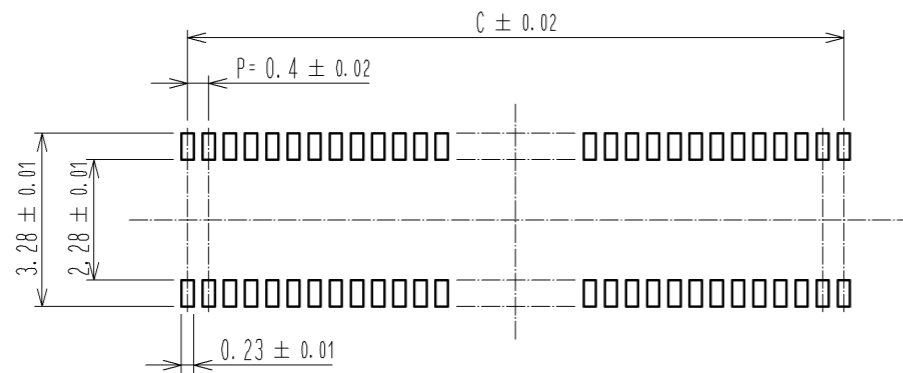


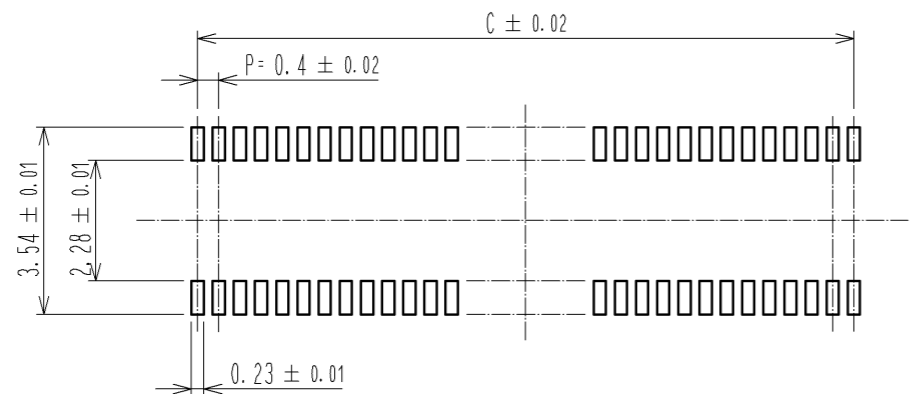
◆ RECOMMENDED PCB LAYOUT (MOUNTING SURFACE SIDE)



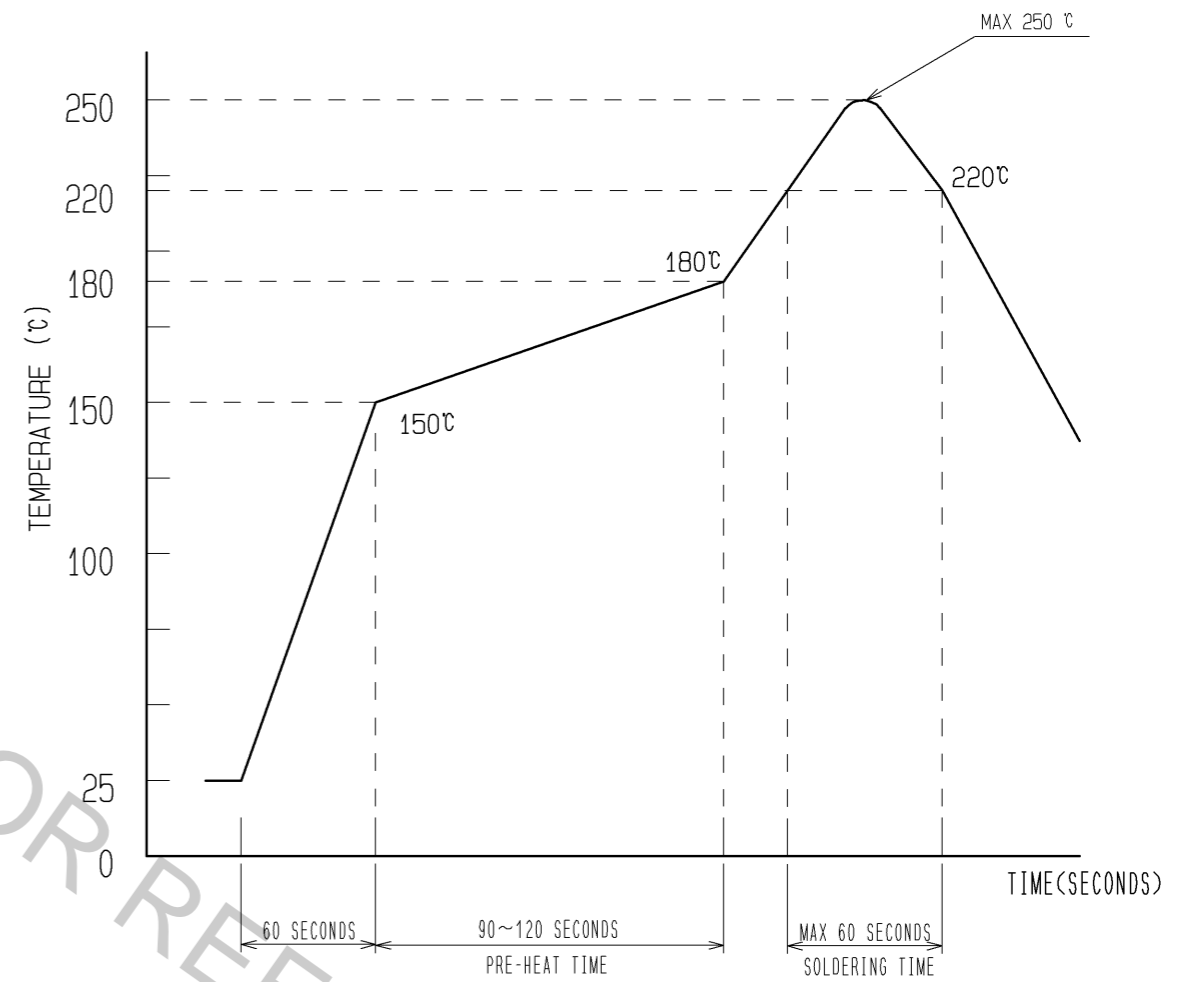
◆ RECOMMENDED METAL MASK DIMENSIONS
METAL MASK THICKNESS : 0.12mm



◆ RECOMMENDED METAL MASK DIMENSIONS
METAL MASK THICKNESS : 0.1mm



③ RECOMMENDED REFLOW TEMPERATURE PROFILE USING LEAD-FREE SOLDER PASTE.



- 1) REFLOW TIME
REFLOW METHOD: IR REFLOW
NUMBER OF REFLOW CYCLES: 2 CYCLES MAX.
DURATION ABOVE 220 °C: 60 SEC. MAX.
(PEAK TEMPERATURE: 250°C MAX.)
- 2) PRE-HEAT TIME
PRE-HEAT TEMPERATURE(MIN) : 150 °C
PRE-HEAT TEMPERATURE(MAX) : 180 °C
PRE-HEAT TIME : 90~120 sec.

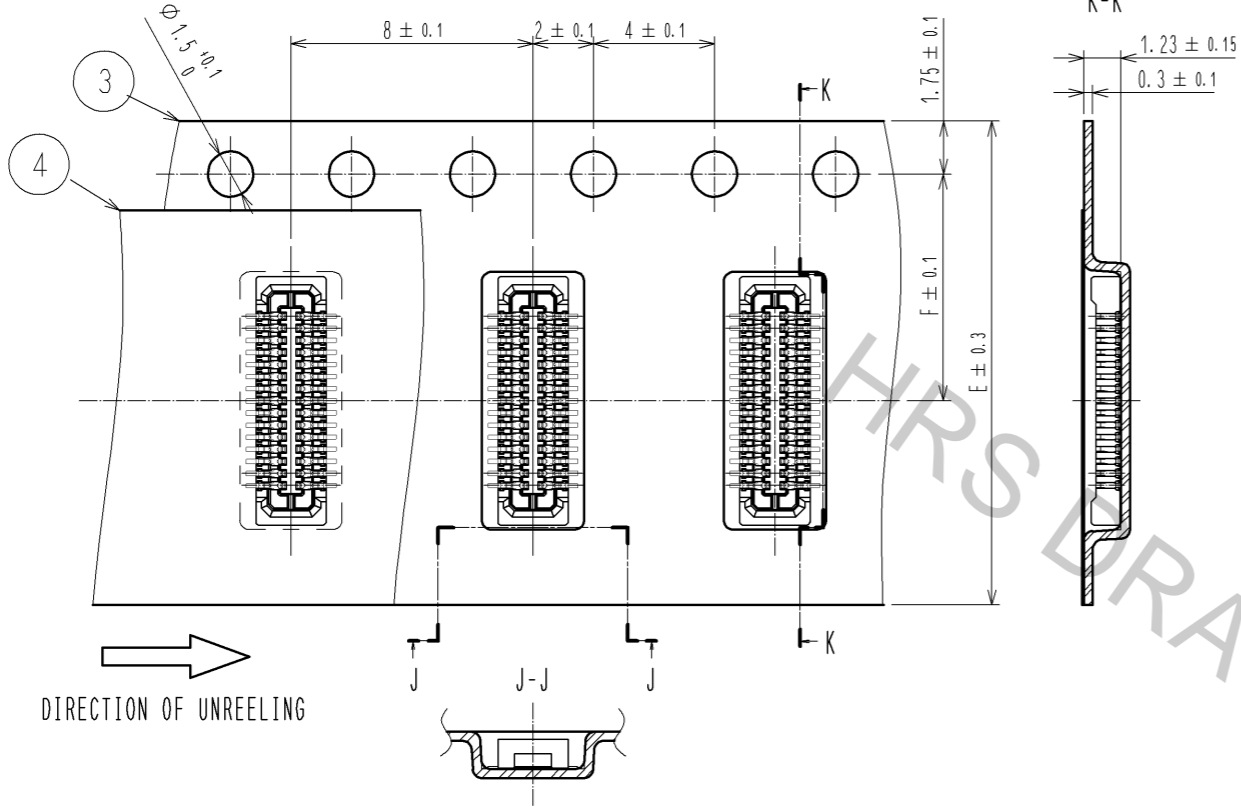
PART No.	C
DF37NC-10DS-0.4V(51)	1.6
DF37NC-16DS-0.4V(51)	2.8
DF37NC-20DS-0.4V(51)	3.6
DF37NC-24DS-0.4V(51)	4.4
DF37NC-30DS-0.4V(51)	5.6
DF37NC-34DS-0.4V(51)	6.4
DF37NC-40DS-0.4V(51)	7.6
DF37NC-44DS-0.4V(51)	8.4
DF37NC-50DS-0.4V(51)	9.6
DF37NC-60DS-0.4V(51)	11.6
DF37NC-70DS-0.4V(51)	13.6
DF37NC-74DS-0.4V(51)	14.4

③ THIS TEMPERATURE PROFILE IS PER THE CONDITIONS SHOWN ABOVE. ADDITIONAL FACTORS, SUCH AS SOLDER PASTE TYPE, PCB SIZE AND OTHER MOUNTED COMPONENTS COULD AFFECT THE PROFILE. THEREFORE, A THOROUGH EVALUATION OF MOUNTING CONDITION IS REQUIRED PRIOR TO PRODUCTION. TEMPERATURE IS MEASURED AT CONTACT LEAD.

HRS	DRAWING NO.	EDC3-319684-01
	PART NO.	DF37NC-*DS-0.4V(51)
	CODE NO.	

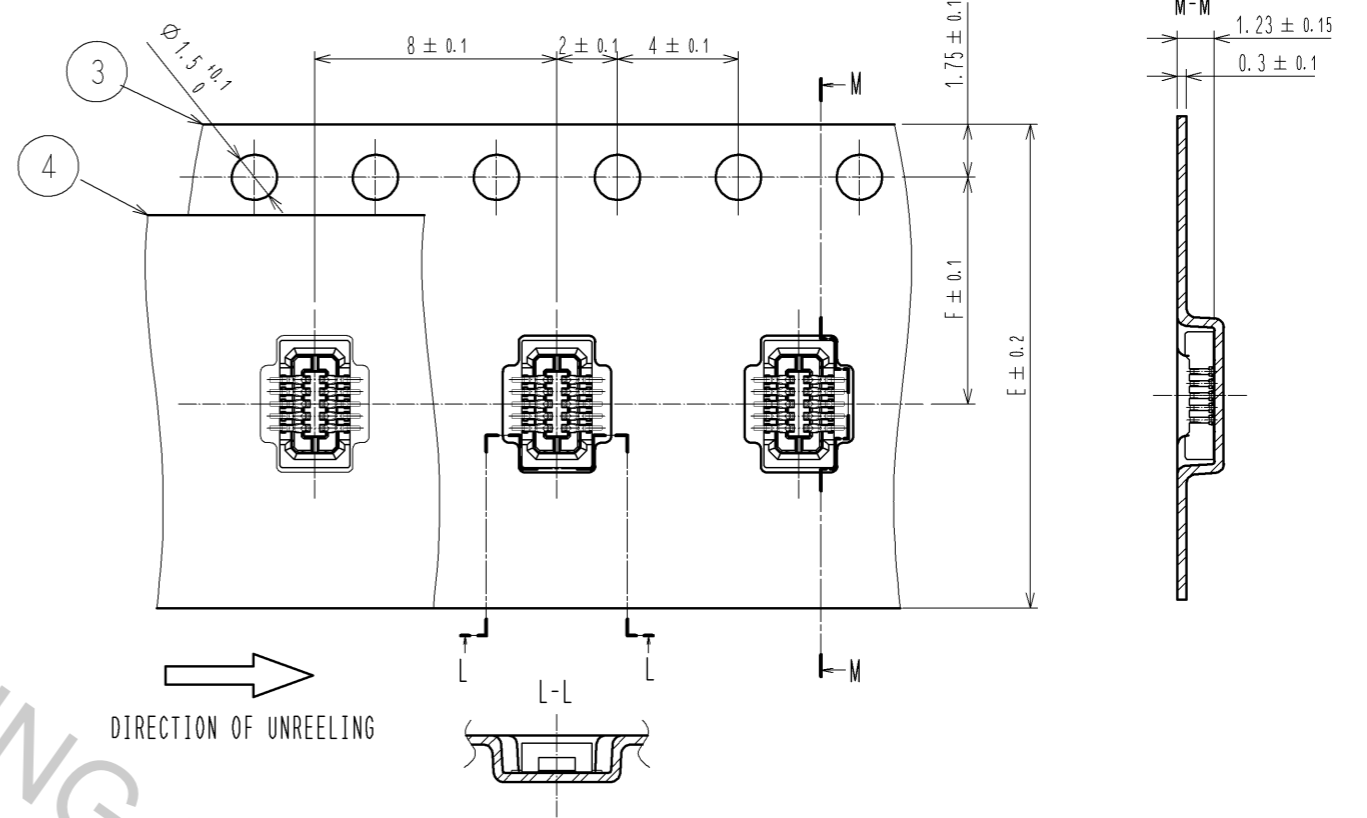
EMBOSSED CARRIER TAPE PACKAGING (FREE SIZE)

◆MORE THAN 20 POS.

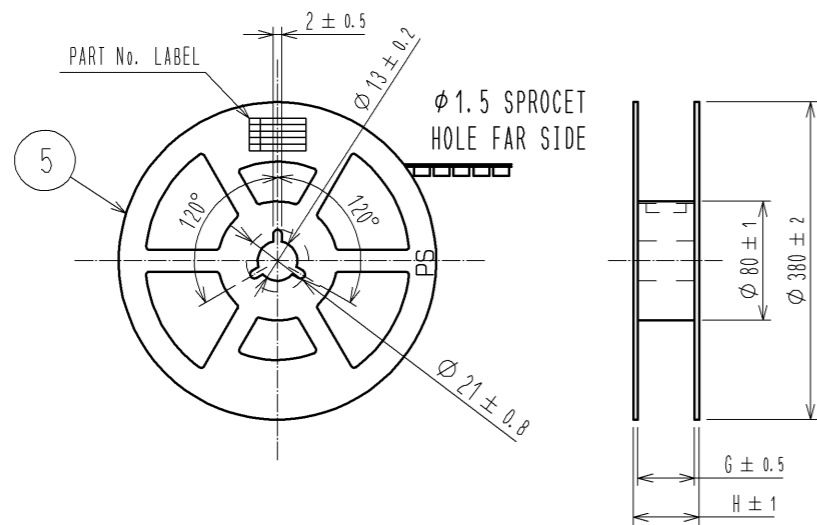


EMBOSSED CARRIER TAPE PACKAGING (FREE SIZE)

◆LESS THAN 20 POS.



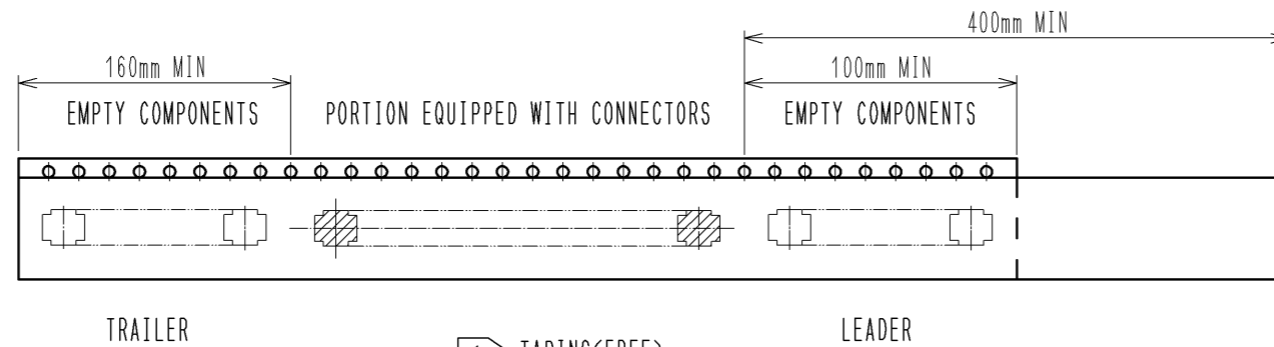
STYLE AND DIMENSION OF REEL (FREE SIZE)



7 DETAIL OF PART No. LABEL

SUPPLIER	HIROSE ELECTRIC CO., LTD.
QUANTITY	8000個
PART NO.	DF37NC-DS-0.4V(51)
CODE NO.	** ** *
DATE OF MANUFACTURED	年月日
製造年月日	年月日
製品コード	** ** *
製品名	DF37NC-DS-0.4V(51)
数量	8000個
納入者	ヒロセ電機(株)

PART No.	E	F	G	H
DF37NC-10DS-0.4V(51)	16	7.5	17.5	21.5
DF37NC-16DS-0.4V(51)	16	7.5	17.5	21.5
DF37NC-20DS-0.4V(51)	16	7.5	17.5	21.5
DF37NC-24DS-0.4V(51)	16	7.5	17.5	21.5
DF37NC-30DS-0.4V(51)	24	11.5	25.5	29.5
DF37NC-34DS-0.4V(51)	24	11.5	25.5	29.5
DF37NC-40DS-0.4V(51)	24	11.5	25.5	29.5
DF37NC-44DS-0.4V(51)	24	11.5	25.5	29.5
DF37NC-50DS-0.4V(51)	24	11.5	25.5	29.5
DF37NC-60DS-0.4V(51)	24	11.5	25.5	29.5
DF37NC-70DS-0.4V(51)	32	14.2	33.5	37.5
DF37NC-74DS-0.4V(51)	32	14.2	33.5	37.5



- NOTES 4. PER REEL 8000 CONNECTORS.
 5. THE DIMENSIONS IN PARENTHESES ARE FOR REFERENCE.
 6 REFER TO JIS C 0806(PACKING OF COMPONENTS FOR AUTOMATIC HANDLING)
 7 DETAIL OF PART No. LABEL IS WRITTEN IN JAPANESE.

HRS	DRAWING NO.	EDC3-319684-01
	PART NO.	DF37NC-DS-0.4V(51)
	CODE NO.	
		3/3