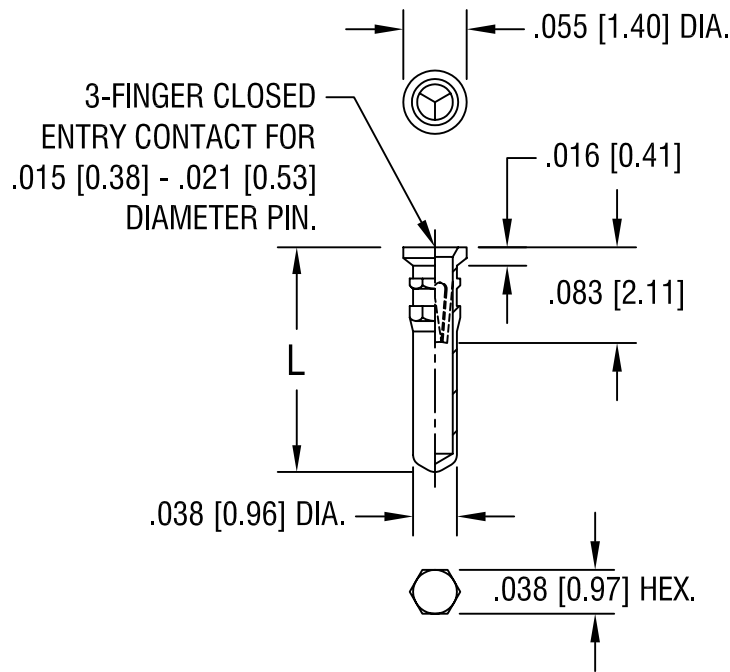


THIS DOCUMENT IS THE PROPERTY OF
KEYSTONE ELECTRONICS CORP. AND
SHALL NOT BE REPRODUCED, DISTRIBUTED
OR USED AS A BASIS FOR MANUFACTURE
WITHOUT PRIOR WRITTEN PERMISSION
FROM KEYSTONE ELECTRONICS CORP.



PART NO.	'L' DIM.
1412-1	.140 [3.56]
1412-2	.170 [4.32]
1412-3	.282 [7.16]

NOTES:

- BODY: MAT'L - BRASS
SPRING CONTACT: MAT'L - BERYLLIUM COPPER
- MOUNTING HOLE DIA.: .040 [1.02]

TOLERANCE ON DIAMETERS: $\pm .002$

KEYSTONE ELECTRONICS CORP.			
ASTORIA, N.Y. 11105-2017			
PART NAME MICRO JACK, PRESS-FIT			
MATERIAL AS NOTED			
FINISH GOLD PLATE		DRN BY BOONE	DATE 2.15.07
		APP'D LN	SCALE 6X
TOLERANCES	INCH [MM]	CODE	DWG NO.
DECIMAL	$\pm .005$ [± 0.15]	C/M	1412-1 - 1412-3
ANGULAR $\pm 1^\circ$ UNLESS OTHERWISE SPECIFIED			

DATE	DESCRIPTION	REV.