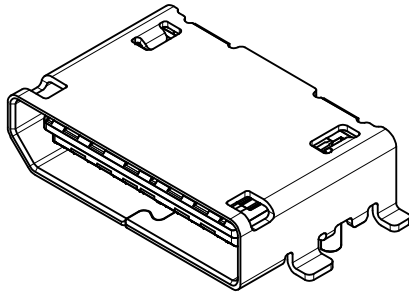
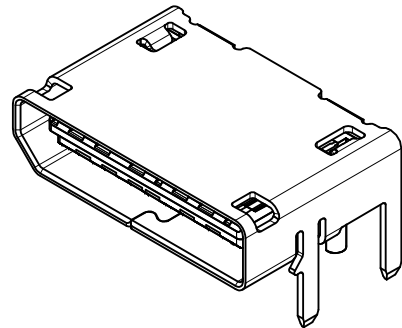


STATUS	MATERIAL NUMBER	PIN OUT OPTIONS	MATING LEVELS	CIRCUIT SIZE	SHELL ATTACH OPTION
TOOLED	171982-0142	4X	3	42	SMT
TOOLED	171982-1142	4X	3	42	TH

42 CIRCUIT SMT SHELL



42 CIRCUIT THRU HOLE SHELL

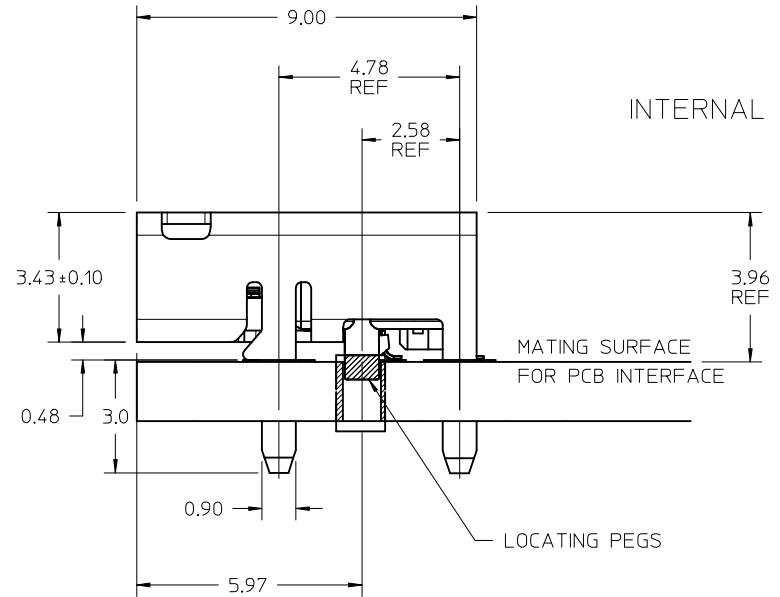
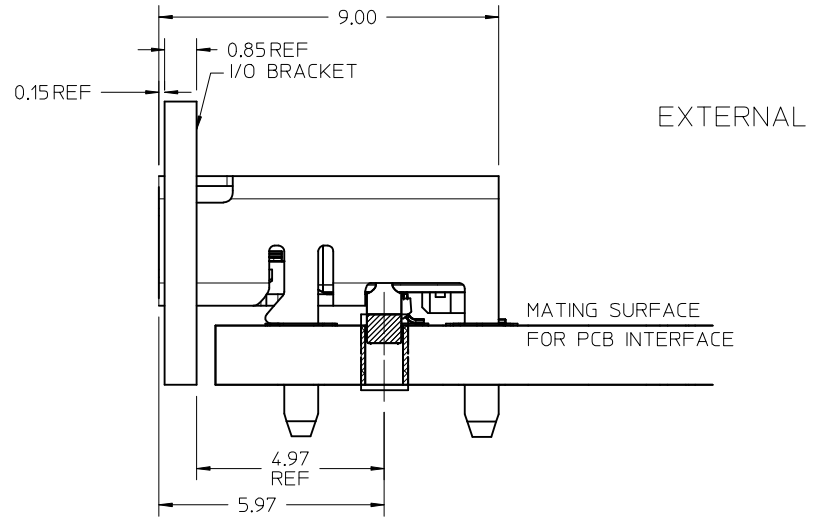
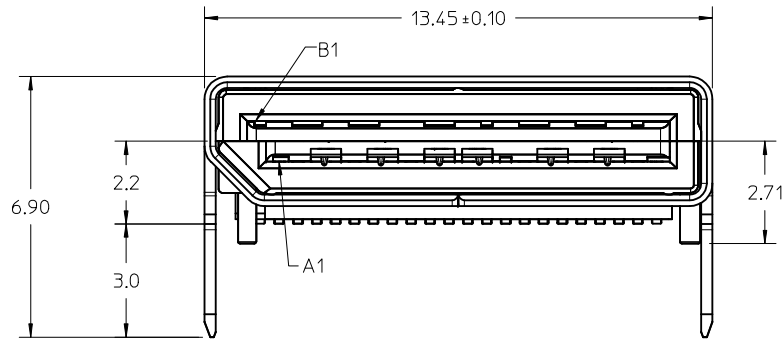
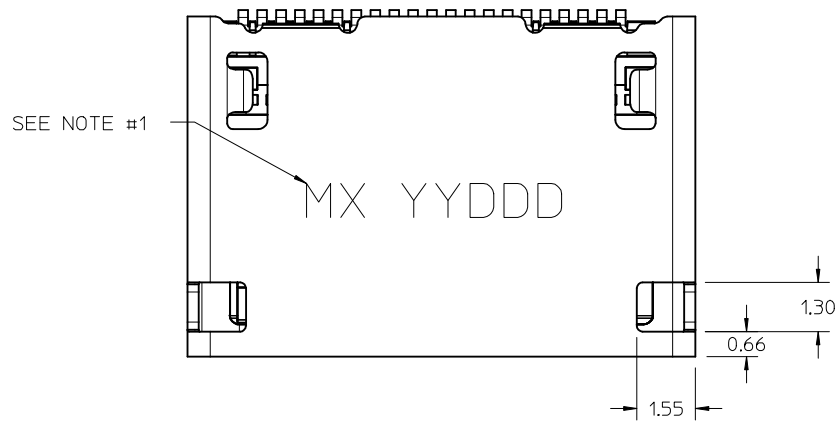


- NOTES:
- MATERIALS:**
 HOUSING - GLASS FILLED THERMOPLASTIC, 94V-0
 CONTACTS - HIGH PERFORMANCE COPPER ALLOY
 SHIELD - STAINLESS STEEL
 - FINISH:**
 CONTACTS - 0.76µm MIN. GOLD MATING SIDE
 2.54µm TIN ON SOLDER TAILS
 2.0µm MIN. NICKEL UNDERPLATE OVERALL

 SHIELD - MATTE TIN OVER 1.27µm MIN. NICKEL
 - PRODUCT SPECIFICATION:** PS-171982-0001
 - PACKAGING SPECIFICATION:** PK-171982-9000
 - MATES WITH:** MOLEX CABLE SERIES 100436
 PER INDUSTRY STANDARD PCIe OCuLink OR SFF-8612
 - APPLICATION SPECIFICATION:** AS-173162-0001
 - COSMETIC SPECIFICATION:** PS-45499-002
 - ASSEMBLY PART NUMBER AND DATE CODE TO BE LOCATED APPROXIMATELY AS SHOWN, DATE CODE TO SHOW THE DATE AND YEAR OF ASSEMBLY (DDYY OR YDDD)**

UPDATE TABLE EC NO: UCP2017-1264 DRWNSVANG01 2016/12/06 CHKD: APPR: MCLELL 2017/04/24 REV DESCRIPTION	QUALITY SYMBOLS	GENERAL TOLERANCES (UNLESS SPECIFIED)	DIMENSION STYLE	SCALE	DESIGN UNITS	THIRD ANGLE PROJECTION	
	▽=0	4 PLACES ±.10	MM ONLY	10:1	METRIC		
	▽=0	3 PLACES ±.13					
	▽=0	2 PLACES ±.25					
		ANGULAR ±1/2°					
		DRAFT WHERE APPLICABLE MUST REMAIN WITHIN DIMENSIONS					
			DRAWN BY DATE	TITLE			
			MJANTELEZ10 2015/10/21	NANO-PITCH I/O RIGHT ANGLE PRE R1.0 - 16 GT/S			
			CHECKED BY DATE				
			APPROVED BY DATE				
			MBANAKIS 2015/11/09				
			MATERIAL NO.	DOCUMENT NO.	SHEET NO.		
			SEE CHART	SD-171982-1000	1 OF 6		
			THIS DRAWING CONTAINS INFORMATION THAT IS PROPRIETARY TO MOLEX INCORPORATED AND SHOULD NOT BE USED WITHOUT WRITTEN PERMISSION				

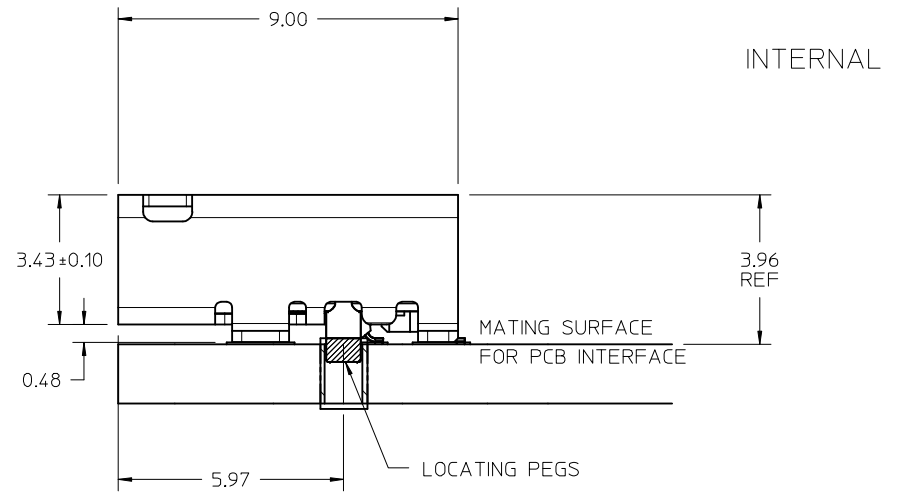
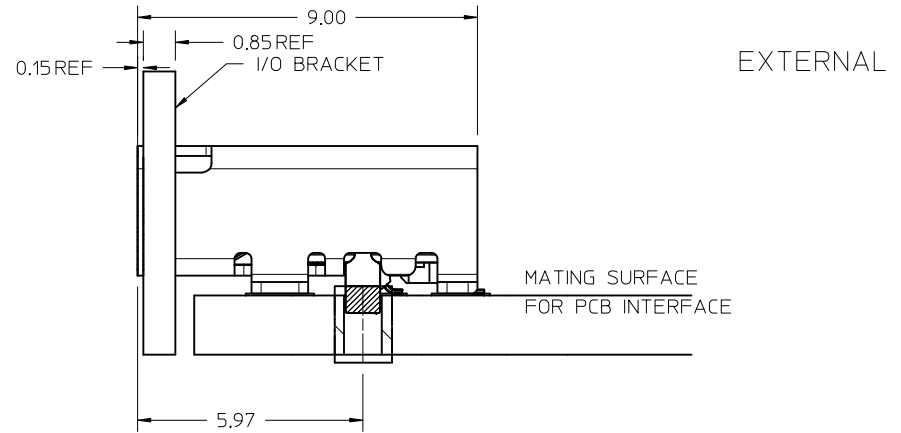
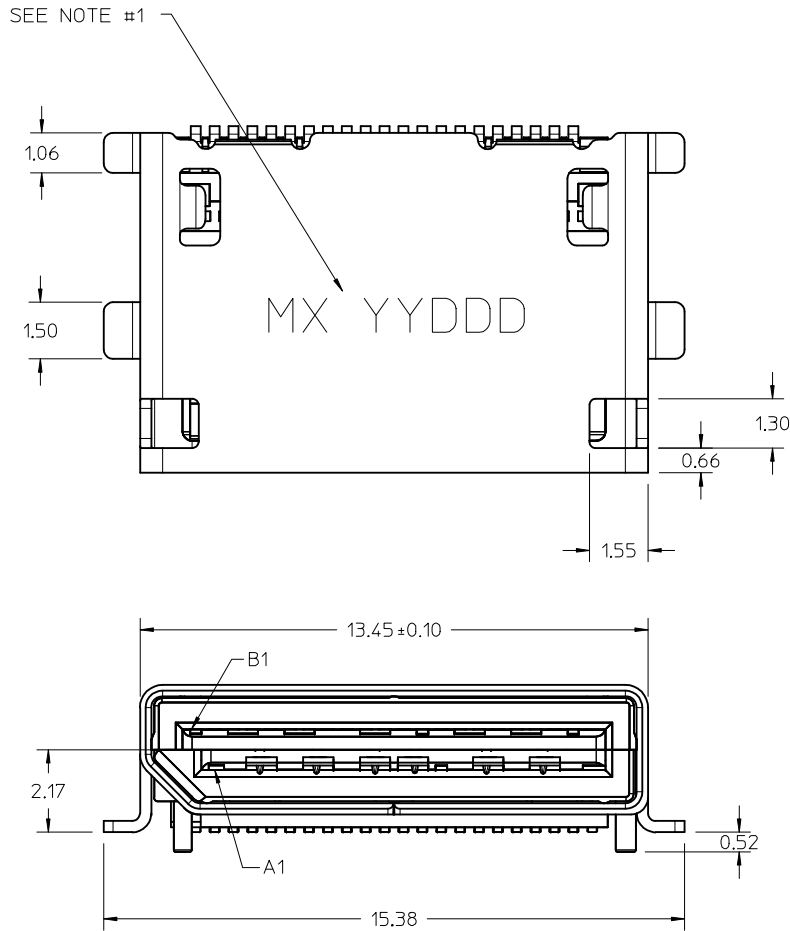
42 CIRCUIT TH ASSEMBLY



- NOTES:
 1. MANUFACTURED DATE CODE (JULIAN CALENDAR)
 2. SOLDER TAIL COPLANARITY 0.10 MAX

SEE SHEET 1 EC NO: UCP2017-1264 DRWNS:VANG01 2016/12/06 CHKD: APPR:TMCCLELL 2017/04/24	QUALITY SYMBOLS	GENERAL TOLERANCES (UNLESS SPECIFIED)	DIMENSION STYLE	SCALE	DESIGN UNITS	THIRD ANGLE PROJECTION
	$\nabla = 0$ $\nabla = 0$ $\nabla = 0$	mm INCH 4 PLACES ± --- ± --- 3 PLACES ± --- ± --- 2 PLACES ± 0.13 ± --- 1 PLACE ± 0.25 ± --- 0 PLACE ± --- ± ---	MM ONLY	10:1	METRIC	NANO-PITCH I/O RIGHT ANGLE PRE R1.0 - 16 GT/S molex
	DESCRIPTION	ANGULAR ±1/2°	DRAWN BY	DATE	TITLE	DOCUMENT NO.
	REV	DRAFT WHERE APPLICABLE MUST REMAIN WITHIN DIMENSIONS	MJANTELEZIO 2015/10/21 CHECKED BY DATE APPROVED BY MBANAKIS 2015/11/09 MATERIAL NO. SEE SHEET 1	SD-171982-1000 SHEET NO. 2 OF 6	THIS DRAWING CONTAINS INFORMATION THAT IS PROPRIETARY TO MOLEX INCORPORATED AND SHOULD NOT BE USED WITHOUT WRITTEN PERMISSION	

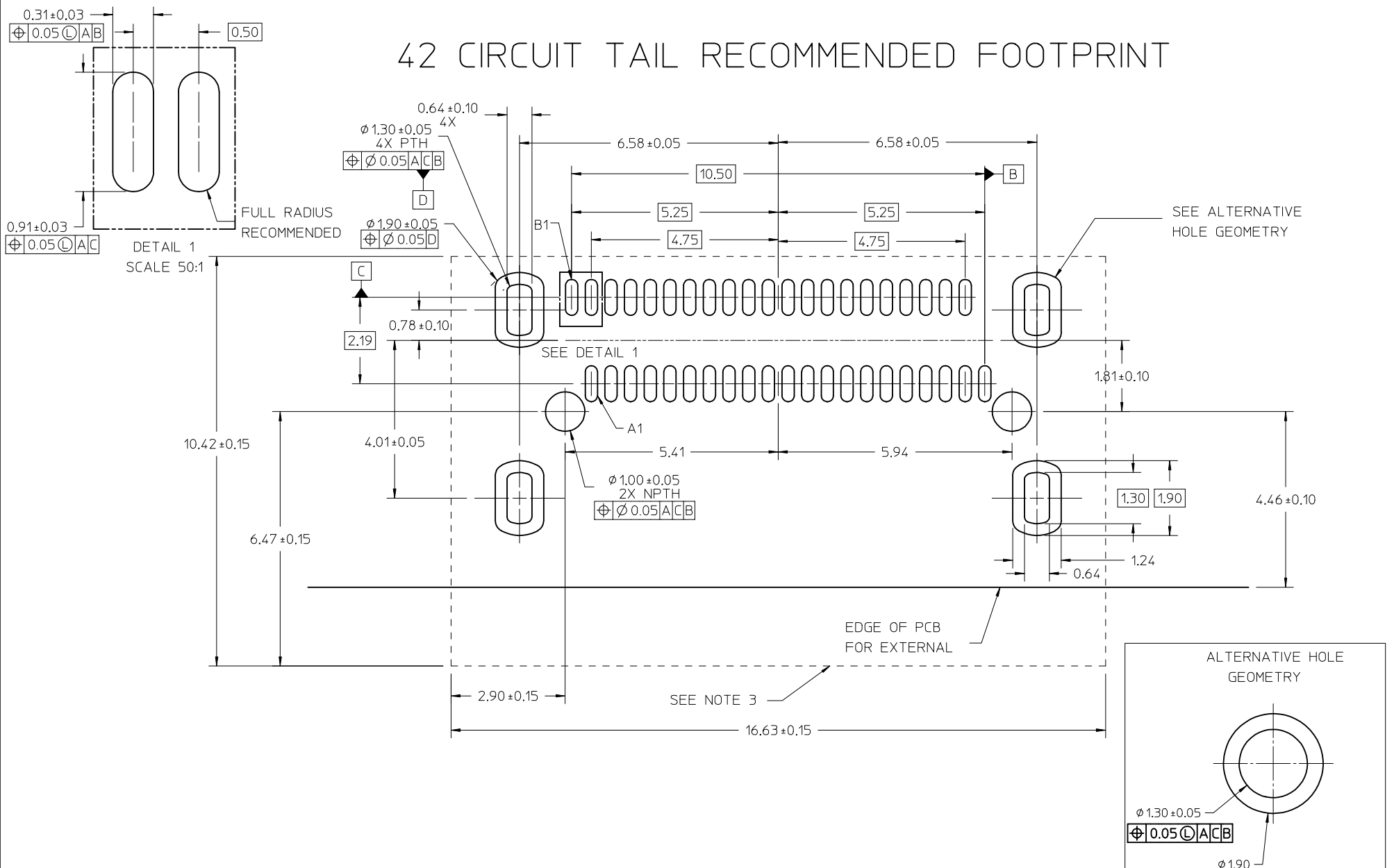
42 CIRCUIT SMT ASSEMBLY



- NOTES:
 1. MANUFACTURED DATE CODE (JULIAN CALENDAR)
 2. SOLDER TAIL COPLANARITY 0.10 MAX

SEE SHEET 1 EC NO: UCP2017-1264 DRWNS:VANG01 2016/12/06 CHKD: APPR:TMCCLELL 2017/04/24	QUALITY SYMBOLS	GENERAL TOLERANCES (UNLESS SPECIFIED)	DIMENSION STYLE	SCALE	DESIGN UNITS	THIRD ANGLE PROJECTION
	▽=0	mm INCH	MM ONLY	10:1	METRIC	
	▽=0	4 PLACES ± --- ± ---	DRAWN BY DATE	TITLE		
	▽=0	3 PLACES ± --- ± ---	MJANTELEZIO 2015/10/21	NANO-PITCH I/O RIGHT ANGLE PRE R1.0 - 16 GT/S		
	2 PLACES ± 0.13 ± ---	CHECKED BY DATE	DOCUMENT NO.			SHEET NO.
	1 PLACE ± 0.25 ± ---	APPROVED BY DATE	SD-171982-1000			3 OF 6
	0 PLACE ± --- ± ---	MBANAKIS 2015/11/09	SEE SHEET 1			
	ANGULAR ±1/2°	MATERIAL NO.	THIS DRAWING CONTAINS INFORMATION THAT IS PROPRIETARY TO MOLEX INCORPORATED AND SHOULD NOT BE USED WITHOUT WRITTEN PERMISSION			
	DRAFT WHERE APPLICABLE MUST REMAIN WITHIN DIMENSIONS	SIZE				

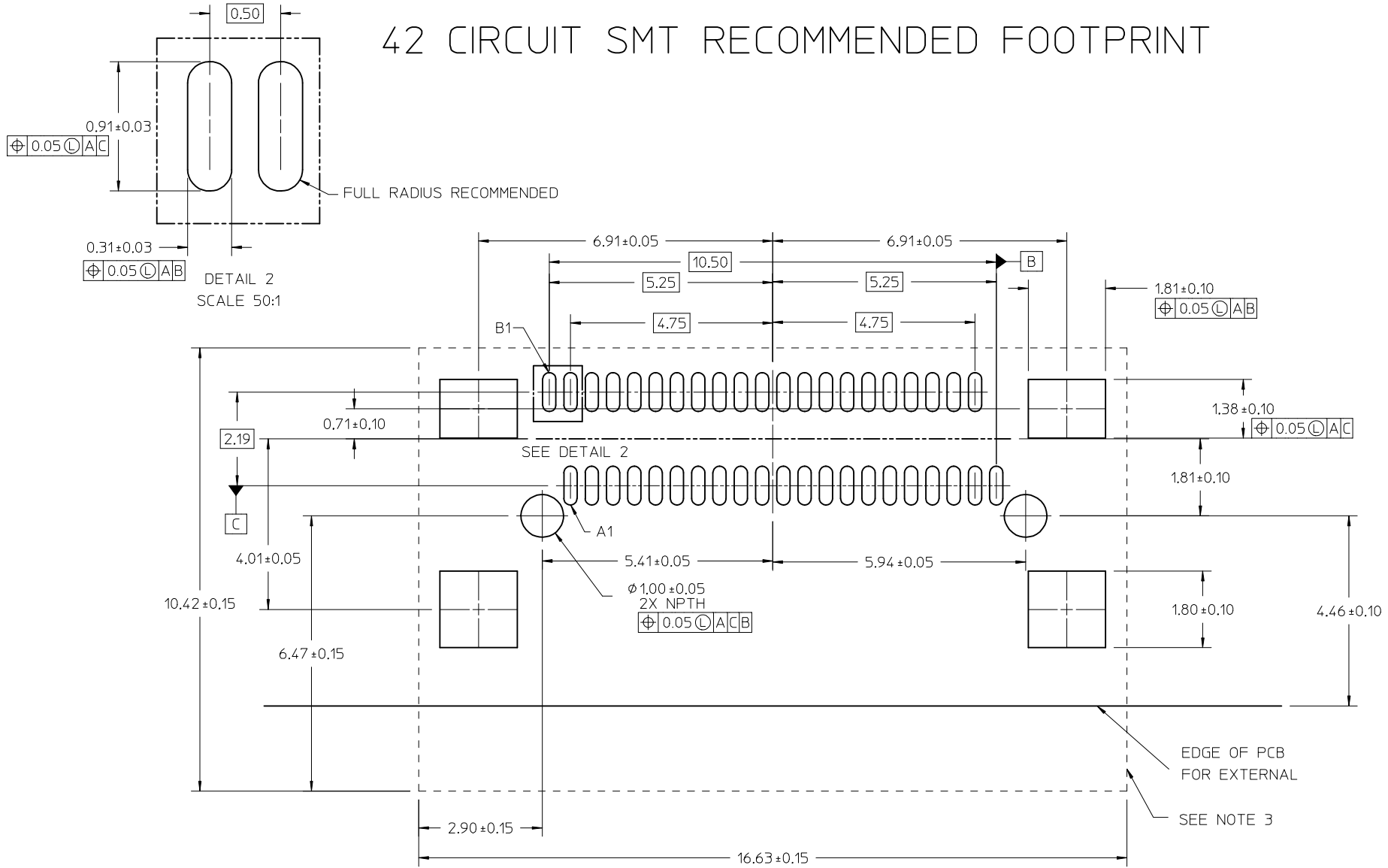
42 CIRCUIT TAIL RECOMMENDED FOOTPRINT



- NOTES:
1. MINIMUM RECOMMENDED SPACING BETWEEN ADJACENT CONNECTOR IS 19.05mm
 2. MINIMUM RECOMMENDED PCB THICKNESS: 1.57mm
 3. CONNECTOR KEEP OUT AREA
 4. DATUM -A- ESTABLISHED FROM TOP SURFACE OF PCB

SEE SHEET 1 EC NO: UCP2017-1264 DRWNSYANG01 2016/12/06 CHKD: TMC/LELL APPR: TMC/LELL 2017/04/24	QUALITY SYMBOLS	GENERAL TOLERANCES (UNLESS SPECIFIED)	DIMENSION STYLE	SCALE	DESIGN UNITS	THIRD ANGLE PROJECTION
	▽=0	mm INCH	MM ONLY	15:1	METRIC	
	▽=0	4 PLACES ± --- ± ---	DRAWN BY DATE	TITLE		
	▽=0	3 PLACES ± --- ± ---	MJANTELEZIO 2015/10/21	NANO-PITCH I/O RIGHT ANGLE PRE R1.0 - 16 GT/S		
	2 PLACES ± 0.13 ± ---	CHECKED BY DATE	DOCUMENT NO.			
	1 PLACE ± 0.25 ± ---	APPROVED BY DATE	SD-171982-1000			
	0 PLACE ± --- ± ---	MBANAK IS 2015/11/09	SHEET NO.			
	ANGULAR ±1/2°	MATERIAL NO.	4 OF 6			
	DRAFT WHERE APPLICABLE MUST REMAIN WITHIN DIMENSIONS	SEE SHEET 1	THIS DRAWING CONTAINS INFORMATION THAT IS PROPRIETARY TO MOLEX INCORPORATED AND SHOULD NOT BE USED WITHOUT WRITTEN PERMISSION			

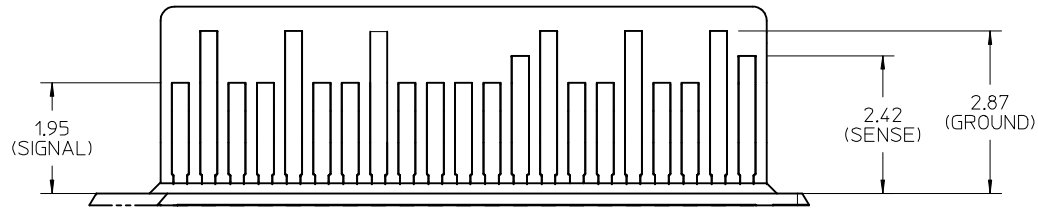
42 CIRCUIT SMT RECOMMENDED FOOTPRINT



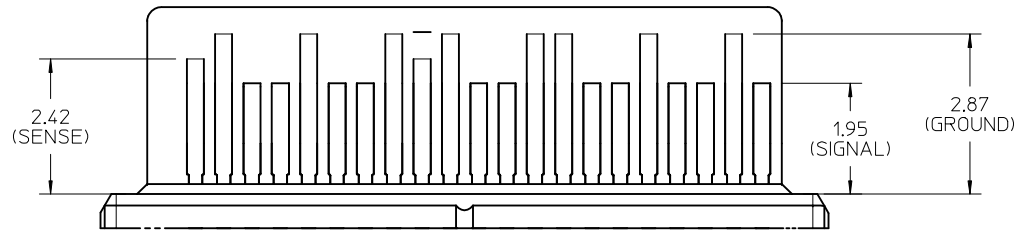
- NOTES:
1. MINIMUM RECOMMENDED SPACING BETWEEN ADJACENT CONNECTOR IS 19.05mm
 2. MINIMUM RECOMMENDED PCB THICKNESS: 1.57mm
 3. CONNECTOR KEEP OUT AREA
 4. DATUM -A- ESTABLISHED FROM TOP SURFACE OF PCB

SEE SHEET 1 EC NO: UCP2017-1264 DRAWN BY: DRWNSVANG01 CHKD: CHPKD: APPR: TMCLELL 2016/12/06 2017/04/24	QUALITY SYMBOLS ▽=0 ▽=0 ▽=0	GENERAL TOLERANCES (UNLESS SPECIFIED)		DIMENSION STYLE MM ONLY		SCALE 15:1	DESIGN UNITS METRIC	THIRD ANGLE PROJECTION	
		mm	INCH	DRAWN BY MJANTELEZIO	DATE 2015/10/21	TITLE NANO-PITCH I/O RIGHT ANGLE PRE R1.0 - 16 GT/S	molex		
4 PLACES ± ---	± ---	1 PLACE ± 0.13	± ---	APPROVED BY MBANAKIS	DATE 2015/11/09	DOCUMENT NO. SD-171982-1000			
3 PLACES ± ---	± ---	0 PLACE ± ---	± ---	DRAFT WHERE APPLICABLE MUST REMAIN WITHIN DIMENSIONS		THIS DRAWING CONTAINS INFORMATION THAT IS PROPRIETARY TO MOLEX INCORPORATED AND SHOULD NOT BE USED WITHOUT WRITTEN PERMISSION			

INTERFACE PATTERN



42 CIRCUITS
BOTTOM
SCALE 15:1



42 CIRCUITS
TOP
SCALE 15:1

SEE SHEET 1 EC NO: UCP2017-1264 2016/12/06 DRWNS:VANG01 CHKD: APPR:TMCCLELL 2017/04/24	QUALITY SYMBOLS ▽=0 ▽=0 ▽=0	GENERAL TOLERANCES (UNLESS SPECIFIED)		DIMENSION STYLE MM ONLY	SCALE 15:1	DESIGN UNITS METRIC	THIRD ANGLE PROJECTION	
		4 PLACES ± --- ± --- 3 PLACES ± --- ± --- 2 PLACES ± 0.13 ± --- 1 PLACE ± 0.25 ± --- 0 PLACE ± --- ± ---	mm INCH	DRAWN BY DATE MJANTELEZIO 2015/10/21	CHECKED BY DATE	TITLE NANO-PITCH I/O RIGHT ANGLE PRE R1.0 - 16 GT/S		
		ANGULAR ±1/2°		APPROVED BY DATE MBANAKIS 2015/11/09	DOCUMENT NO. SD-171982-1000			SHEET NO. 6 OF 6
DRAFT WHERE APPLICABLE MUST REMAIN WITHIN DIMENSIONS		SEE SHEET 1		THIS DRAWING CONTAINS INFORMATION THAT IS PROPRIETARY TO MOLEX INCORPORATED AND SHOULD NOT BE USED WITHOUT WRITTEN PERMISSION				