

LOC	DIST	REVISIONS					
-	-	P	LTR	DESCRIPTION	DATE	DWN	APVD
			A	REVISED PER ECR-14-007795	29MAY2014	RS	EC
			B1	ECO-15-015144: ADD UL.	03DEC2015	EC	EC

SAFETY ORGANIZATIONS

THIS FILTER HAS BEEN FORMALLY RECOGNIZED, CERTIFIED OR APPROVED BY THE LISTED AGENCY. THEREFORE, ALL TEST/REQUIREMENTS SPECIFIED IN THE LATEST REVISION OF THE FOLLOWING AGENCY STANDARDS HAVE BEEN MET:

UL

RELIABILITY SPECIFICATIONS

STORAGE TEMPERATURE: -40°C TO +85°C
 HUMIDITY: 21 DAYS @ 40°C 95% RH.

TEST SPECIFICATIONS

INDUCTANCE, NOMINAL: 50.9 µH
 CAPACITANCE AT 1KHz, 0.25 VAC MAX., 25°C±1°C
 LINE TO GROUND, NOMINAL: 3.1 µF
 LINE TO LINE, NOMINAL: 7.0 µF
 DISCHARGE RESISTOR
 L/G AND L/L I.R. 1000 kOhm / 1000 kOhm
 IR (NO DISCHARGE RESISTOR) 20°C, 50% RH AND 100VDC, MIN: 6000 MΩ

OPERATING SPECIFICATIONS

LINE CURRENT/VOLTAGE: 1600 A, 520 VAC
 LINE FREQUENCY: 50-60 Hz
 NOMINAL LEAKAGE CURRENT: 15 mA
 MAXIMUM LEAKAGE CURRENT: 270mA @ 277V, 50Hz

OPERATING AMBIENT TEMPERATURE RANGE @ RATED CURRENT, I : -10°C TO +50°C

IN AN AMBIENT, T, HIGHER THAN 50°C, THE MAXIMUM OPERATING CURRENT, I, IS AS FOLLOWS: :

$$I_0 = I_R \sqrt{\frac{100 - T_0}{50}}$$

RECOMMENDED RECEIVING INSPECTION HIPOT

LINE TO GROUND FOR 1 MINUTE: 2200 VDC
 LINE TO LINE FOR 1 MINUTE: 2160 VDC

FILTER APPROVAL:

THE BEST WAY TO SELECT AND QUALIFY A FILTER IS FOR YOUR ENGINEERING TO TEST THE UNIT IN YOUR EQUIPMENT.

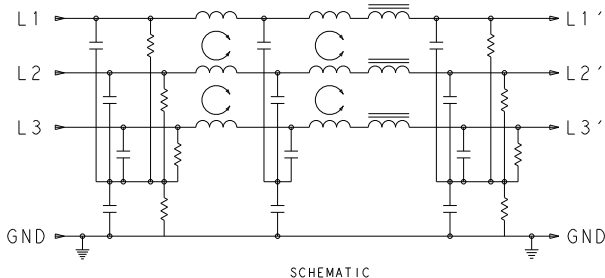
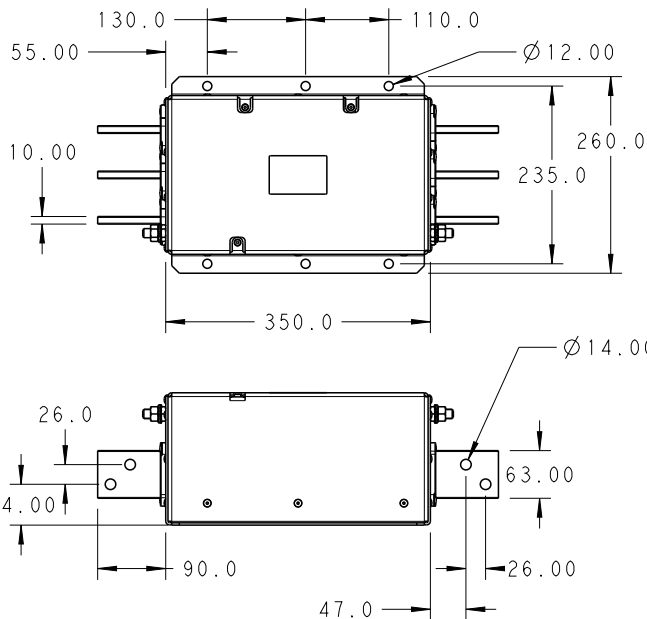
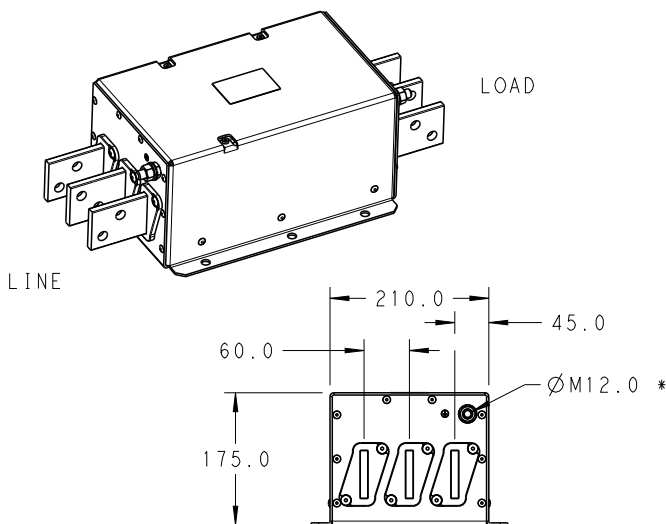
20

RELEASED FOR PUBLICATION

ALL RIGHTS RESERVED.

BY -

© COPYRIGHT 20



* DO NOT LOOSEN INNER GROUND NUTS. TORQUE OUTER GROUND NUTS TO: 25-30 NM [220-260 IN-LB]

TYPICAL INSERTION LOSS
 COMMON MODE 50/50Ω; DIFFERENTIAL MODE 100/100Ω

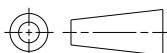
MHz	0.01	0.05	0.15	0.5	1.0	3.0	5.0	10	30
CM	13	30	60	90	82	80	64	40	19
DM	27	41	55	55	46	35	31	25	16

DIMENSIONS:

mm

TOLERANCES UNLESS OTHERWISE SPECIFIED:

0 PLC	±2.0
1 PLC	±1.0
2 PLC	±0.50
3 PLC	±0.200
4 PLC	±0.1000
ANGLES	±



DWN	RS	19DEC2013
CHK	EC	19DEC2013
APVD	EC	19DEC2013
PRODUCT SPEC		-
APPLICATION SPEC		-
WEIGHT		-

MATERIAL	-		FINISH	-	
1600APS12L 3-PHASE DELTA FILTER					
NAME					
SIZE	CAGE CODE	DRAWING NO		RESTRICTED TO	
A 4	00779	C-4-1609114-8		-	

Customer Drawing

SCALE 1:1 SHEET 1 OF 1 REV B1