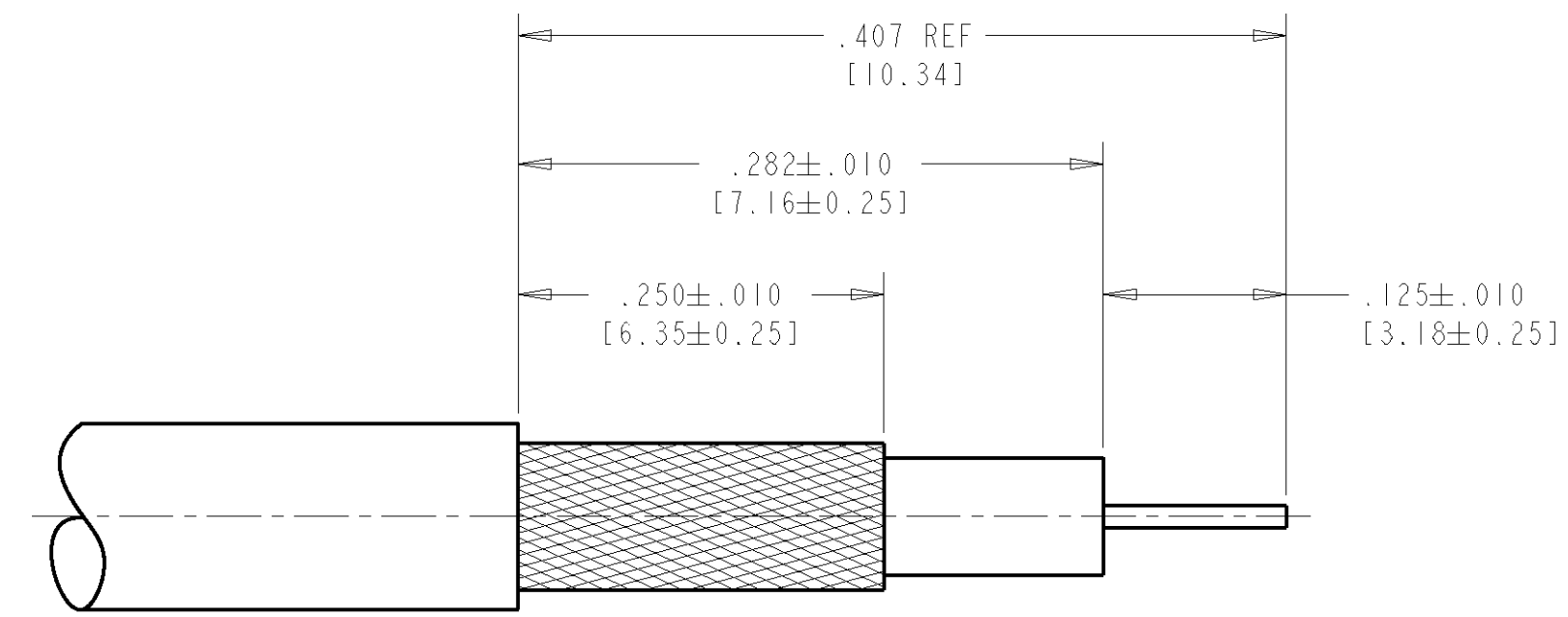
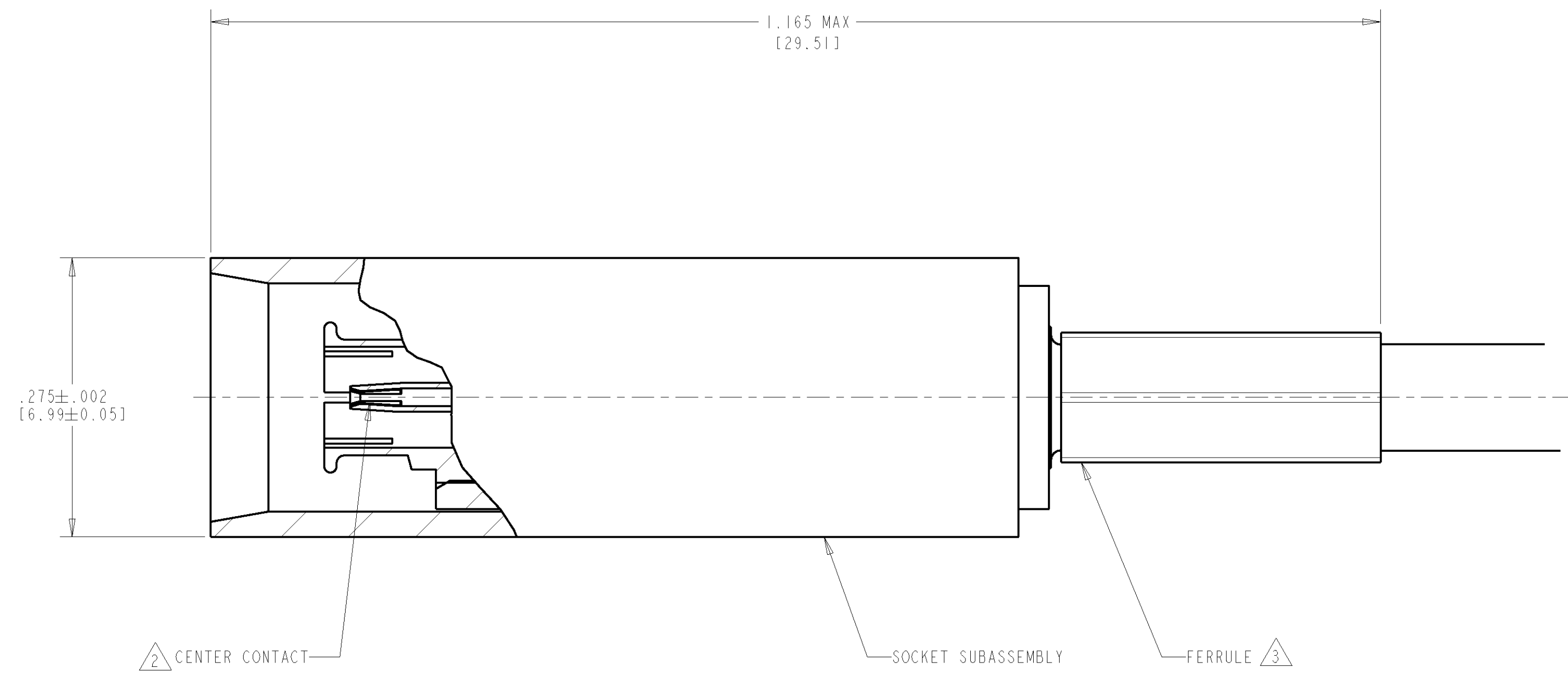


THIS DRAWING IS UNPUBLISHED. RELEASED FOR PUBLICATION .19
 © COPYRIGHT 19 BY AMP INCORPORATED. ALL RIGHTS RESERVED.

LOC	DIST	REVISIONS					
DF	A0	F	LTR	DESCRIPTION	DATE	DWN	APVD
		O		DRAW PER 0600-6927-97	3-Dec-97	JB	JW
		A		REV PER 0600-7631-98	11-Nov-98	JB	JW



RECOMMENDED STRIP LENGTH

1. PARTS PACKAGED UNASSEMBLED
- 2 CENTER CONTACT CRIMP: USE DANIELS HMR TOOL AFM8 OR AMP HAND TOOL 601966-1 WITH DANIELS POSITIONER K1289
- 3 BRAID CRIMP: USE DANIELS HAND TOOL HX4 WITH DIESET Y196 CAVITY A OR AMP HAND TOOL 35940-1 WITH DIESET 58483-1 CAVITY B

<small>THIS DRAWING IS A CONTROLLED DOCUMENT FOR AMP INCORPORATED. IT IS SUBJECT TO CHANGE AND THE CONTROLLING ENGINEERING ORGANIZATION SHOULD BE CONTACTED FOR THE LATEST REVISION.</small>		DWN J.A. Baker 3-Dec-97 CHK J. WEAVER 3-Dec-97 APVD J. WEAVER 3-Dec-97	AMP AMP Incorporated Harrisburg, PA 17105-3608
DIMENSIONS: INCHES 	TOLERANCES UNLESS OTHERWISE SPECIFIED: 0 PLC ± 1 PLC ± 2 PLC ± 3 PLC ± 4 PLC ± ANGLES ± FINISH -	PRODUCT SPEC - APPLICATION SPEC - WEIGHT -	NAME - SOCKET, COAXIAL, SIZE 5, ARINC, 75 Ohm SIZE A2 CAGE CODE 00779 DRAWING NO. 443972
MATERIAL - CUSTOMER DRAWING			SCALE 10:1 SHEET 1 OF 1 REV A