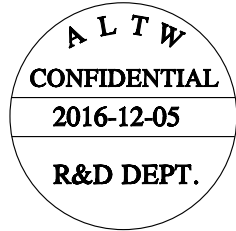
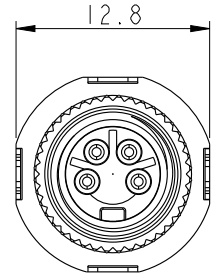
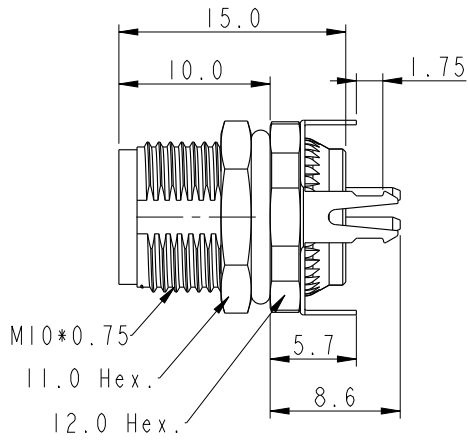
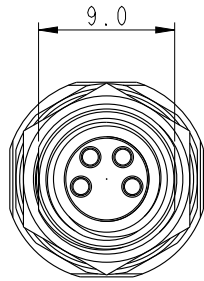
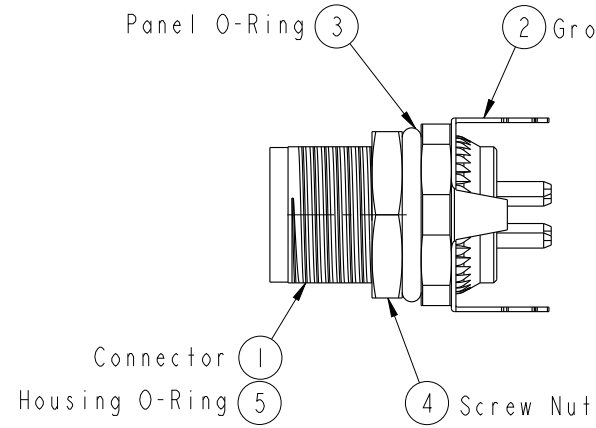


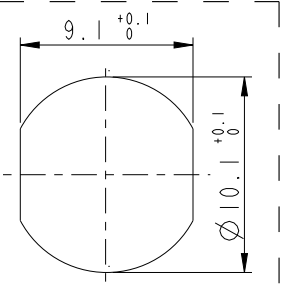
REV.	ECN NO.	DATE	SIGN	DESCRIPTION
A	Initial Release	2016/12/05	Joyy	Chang Rev.01 To Rev.A



Panel O-Ring (3) (2) Ground Lug



Note:
 * (⊕) Important Dimension.
 * Waterproof Rate: IP68.
 IP68: 1M Depth of Water in 24hours.
 * Housing: Nylon+GF, Black.
 * Female Pin: Copper Alloy, Gold Plated.
 * Shell: Metal, Nickel Plated.
 * Ground Lug: Copper Alloy, Nickel Plated.
 * Screw Nut: Copper Alloy, Nickel Plated.
 * Panel O-Ring: Viton, Green.
 * Housing O-Ring: Viton, Green.
 * Rated Voltage: 3Pin 60V dc. or ac.
 4Pin 30V dc. or ac.
 * Rated Current: 3 & 4Pin 4A
 * Operating Temperature: -40~105°C
 * For Panel Thickness: Min=2.0mm, Max=4.5mm.
 * For PCB Thickness: Max=1.6mm.
 * Recommended Nut Torque: 4~6 Kgf.cm.



Recommended Panel Cut-Out

UNIT: mm		TITLE M8 Female Conn. Panel 180° PCB Type (Shielded)			<h1>Amphenol LTW</h1> 安費諾亮泰企業股份有限公司	ITEM NO	DRAWN BY	DATE
		SCALE 2:1	SIZE A4	SHEET 1 OF 2		DWG NO M8S-XXPFFP-SF8001	CHECKED BY Yulong_Wang	DATE 2016-12-05
TOLERANCE .X ±0.25 .XX ±0.1 .XXX ±0.05 ANGLES ±1°		REV. 01	WC-REV. A.4	Inspection item	CUSTOMER ALTW	APPROVED BY Jerry	DATE 2016-12-05	

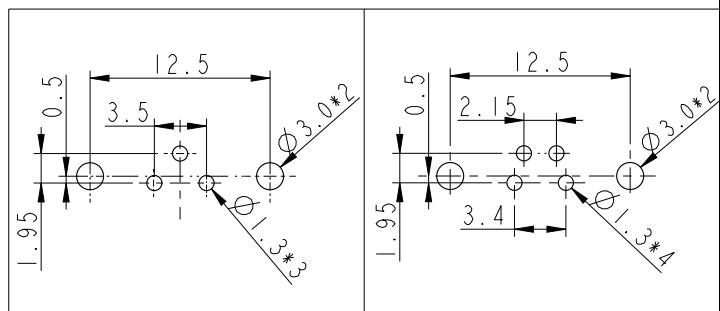
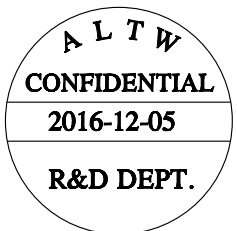
THIS DOCUMENT IS SUBJECT TO CHANGE WITHOUT NOTICE. IT IS CONFIDENTIAL AND A PROPERTY OF AMPHENOL LTW. DISCLOSURE TO THIRD PARTY HAS TO BE AUTHORIZED BY AMPHENOL LTW.

THIS DOCUMENT IS SUBJECT TO CHANGE WITHOUT NOTICE. IT IS CONFIDENTIAL AND A PROPERTY OF Amphenol LTW. DISCLOSURE TO THIRD PARTY HAS TO BE AUTHORIZED BY Amphenol LTW.

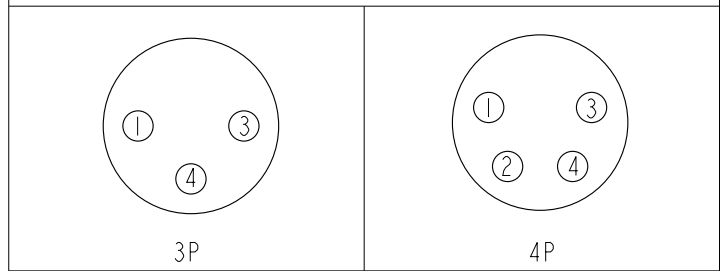
M 8S - XX P F F P - S F 8 001

8: M8 Sensor Shielded
 03: 3Pin
 04: 4Pin
 P: Panel (板端)
 F: Female Connector (母座)
 F: Female Pin (母Pin)

001: Phantom (虛擬料號)
 8: IP68 (防水等級68)
 F: Front Fasten (前鎖式/Enclosure Rear Mount)
 S: Screw (螺紋式)
 P: 180° PCB THT/DIP Type (180° 基板插件式)



Recommend PCB Layout



Pin Assignment Front View

UNIT: mm		
TOLERANCE		
.X	±0.25	
.XX	±0.1	
.XXX	±0.05	
ANGLES	±1°	

TITLE M8 Female Conn. Panel 180° PCB Type (Shielded)			
SCALE 2:1	SIZE A4	SHEET 2 OF 2	
REV. A	WC-REV. A.4	QC: Inspection item	

Amphenol LTW
 安費諾亮泰企業股份有限公司

ITEM NO	DRAWN BY Joyy	DATE 2016-12-05
DWG NO M8S-XXPFFP-SF8001	CHECKED BY Yulong_wang	DATE 2016-12-05
CUSTOMER ALTW	APPROVED BY Jerry	DATE 2016-12-05