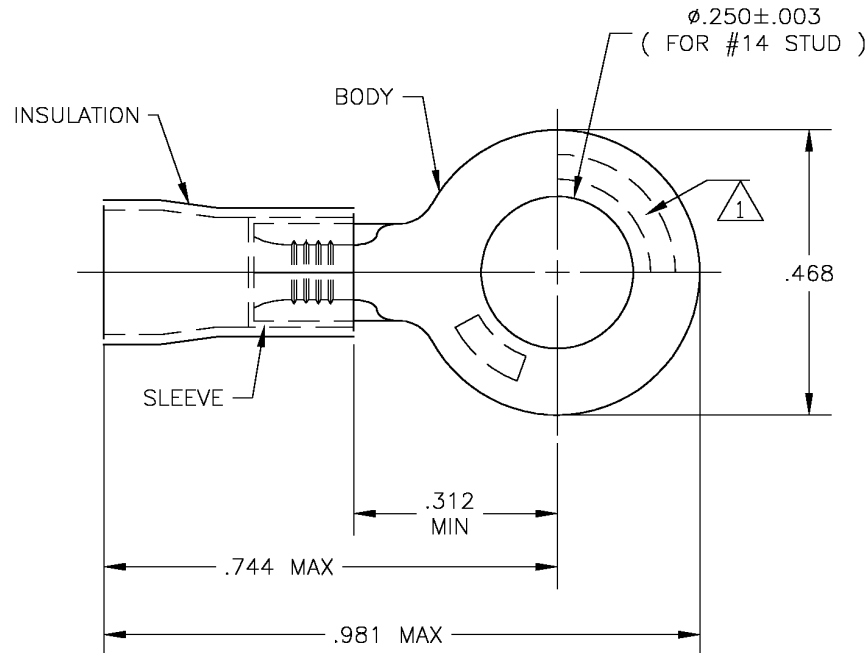


THIS DRAWING IS UNPUBLISHED. RELEASED FOR PUBLICATION
 © COPYRIGHT BY TYCO ELECTRONICS CORPORATION. ALL RIGHTS RESERVED.

LOC	DIST	REVISIONS			
P	LTR	DESCRIPTION	DATE	DWN	APVD
G	14	G	REDRAWN PER 0G3A-0640-03	14OCT03	JR MS

- 1 STAMP AMP 16-14*, 2-4 APPROX AS SHOWN
- 2 TONGUE MATERIAL THK IS .031±.002
- 3 FOR .150 TO .190 WIRE INSULATION DIA.



QTY	DESCRIPTION	MATERIAL & FINISH	PART NO.
1	WIRE TERMINAL	BODY: COPPER PER ASTM B-152 TIN PLATE PER ASTM B-545 SLEEVE: COPPER PER ASTM B-152 INSULATION: PVC, COLOR: BLUE	35626-0

THIS DRAWING IS A CONTROLLED DOCUMENT.		DWN jr ruth 14OCT03	tyco Tyco Electronics Corporation	
DIMENSIONS: INCHES		CHK MJ SPICER 14OCT03	Electronics Harrisburg, PA 17105	
TOLERANCES UNLESS OTHERWISE SPECIFIED:		APVD MJ SPICER 14OCT03	NAME WIRE TERMINAL	
0 PLC ± -	1 PLC ± -	PRODUCT SPEC -	PLASTI-BOND, RING TONGUE	
2 PLC ± -	3 PLC ± .008	APPLICATION SPEC -	WIRE SIZE: 16-14	
4 PLC ± -	ANGLES ± 5'	WEIGHT -	SIZE A3	CAGE CODE 00779
MATERIAL SEE TABLE	FINISH SEE TABLE	CUSTOMER DRAWING	DRAWING NO C=35626	RESTRICTED TO -
			SCALE 5:1	SHEET 1 OF 1
			REV G	