

PROTECTION PRODUCTS - RailClamp®

Description

RailClamp® TVS arrays are ultra low capacitance ESD protection devices designed to protect high speed data interfaces. This series has been specifically engineered to protect sensitive components which are connected to high-speed data and transmission lines from over-voltage caused by **ESD** (electrostatic discharge), **CDE** (Cable Discharge Events), and **EFT** (electrical fast transients).

The RClamp®7538P will protect eight lines or four differential pairs. Each line has a maximum capacitance of only 0.60pF between any I/O pin and ground. This allows it to be used on circuits operating in excess of 3GHz with minimal signal attenuation. They feature high maximum ESD withstand voltage of +/- 20kV contact, +/-25kV air discharge per IEC 61000-4-2.

The RClamp7538P is in a 9-pin SLP3810N9 package. It measures 3.8 x 1.0mm with a nominal height of 0.50mm. Intra-pair lead pitch is 0.40mm while the pair-to-pair pitch is 0.5mm. The innovative flow through package design simplifies pcb layout and allows matched trace lengths for constant impedance between high speed differential lines.

The combination of small size, low capacitance, and high level of ESD protection makes this device a flexible solution for applications such as HDMI, MHL, LVDS, and eSATA interfaces.

Features

- ◆ ESD protection for high-speed data lines to **IEC 61000-4-2 (ESD) ±25kV (air), ±20kV (contact)**
- ◆ **IEC 61000-4-5 (Lightning) 5A (8/20µs)**
- ◆ **IEC 61000-4-4 (EFT) 40A (5/50ns)**
- ◆ Package design optimized for high speed lines
- ◆ Flow-Through design
- ◆ Protects eight high-speed lines
- ◆ Low capacitance: **0.60pF** Maximum (I/O to Ground)
- ◆ Low ESD clamping voltage
- ◆ Low dynamic resistance: 0.42 Ohms (Typ)
- ◆ Solid-state silicon-avalanche technology

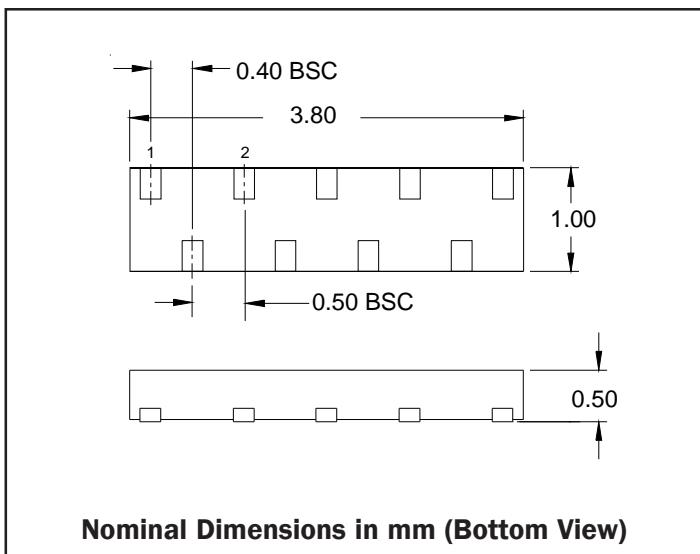
Mechanical Characteristics

- ◆ SLP3810N9 9-pin package (3.8 x 1.0 x 0.50mm)
- ◆ Pb-Free, Halogen Free, RoHS/WEEE Compliant
- ◆ Lead Pitch: 0.4mm (intra-pair), 0.50mm (pair-to-pair)
- ◆ Lead finish: NiPdAu
- ◆ Marking: Marking Code
- ◆ Packaging: Tape and Reel

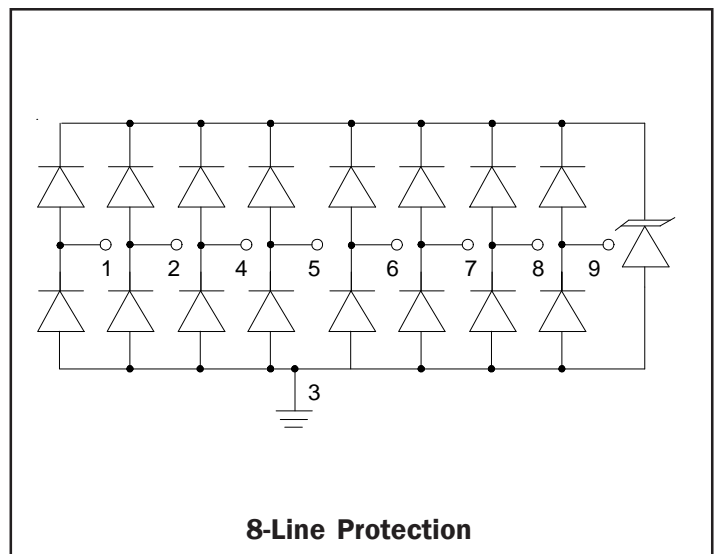
Applications

- ◆ HDMI 1.4
- ◆ V-By-One
- ◆ MHL
- ◆ LVDS Interfaces
- ◆ eSATA Interfaces

Dimensions



Circuit Diagram



PROTECTION PRODUCTS
Absolute Maximum Rating

Rating	Symbol	Value	Units
Peak Pulse Power (tp = 8/20μs)	P_{pk}	75	Watts
Peak Pulse Current (tp = 8/20μs)	I_{pp}	5	A
ESD per IEC 61000-4-2 (Air) ESD per IEC 61000-4-2 (Contact)	V_{ESD}	+/- 25 +/- 20	kV
Operating Temperature	T_J	-55 to +125	°C
Storage Temperature	T_{STG}	-55 to +150	°C

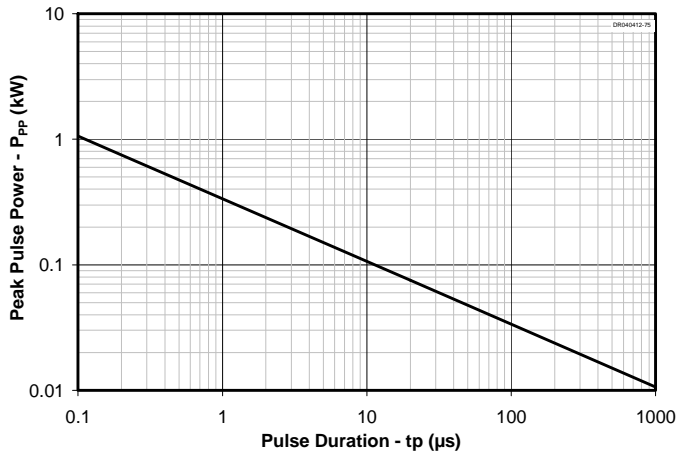
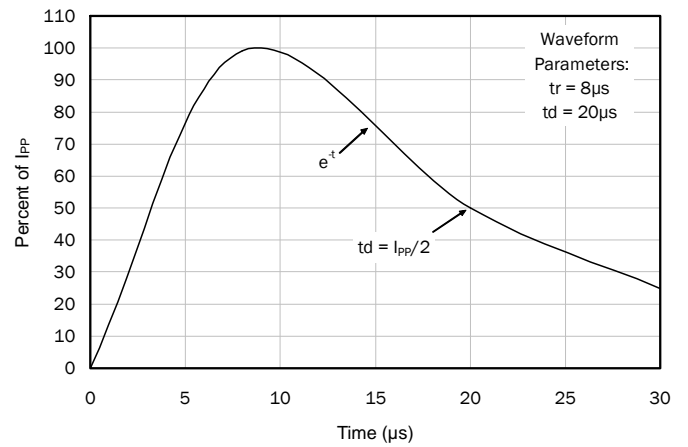
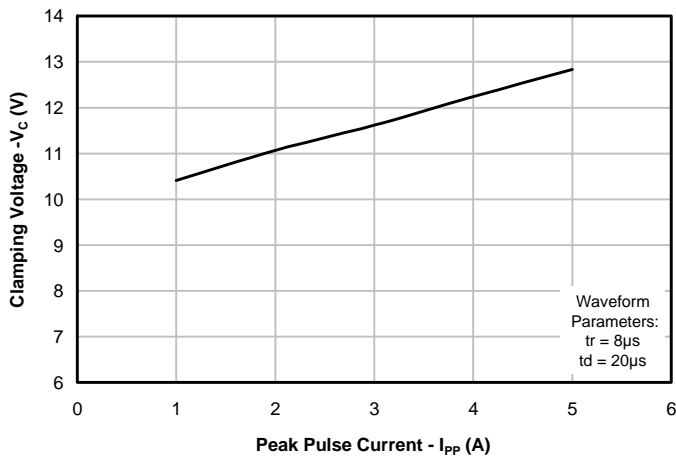
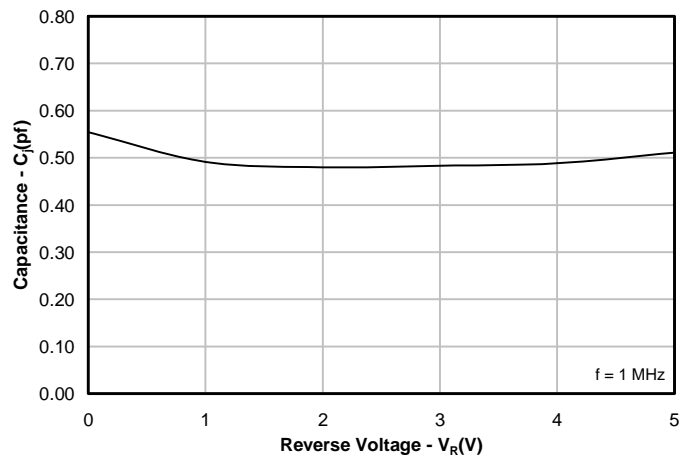
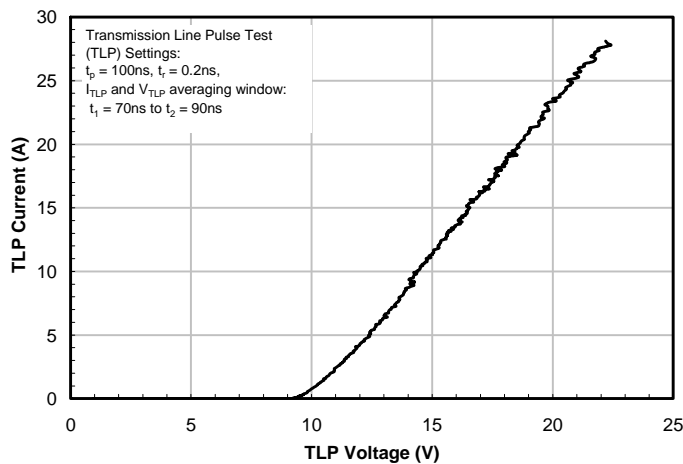
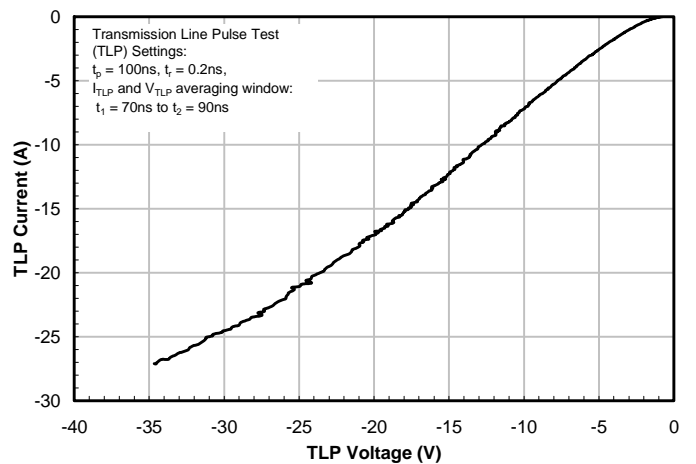
Electrical Characteristics (T=25°C)

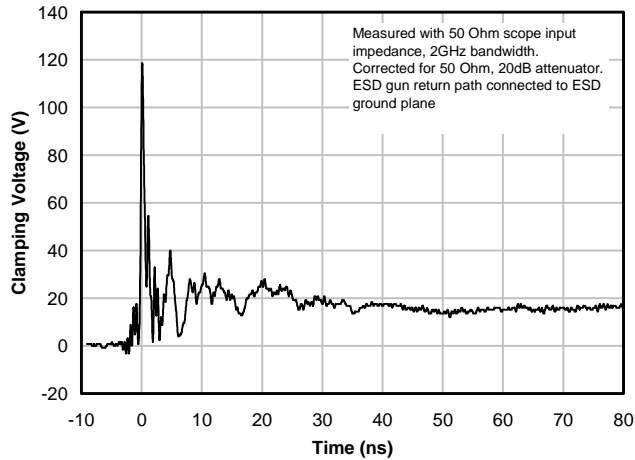
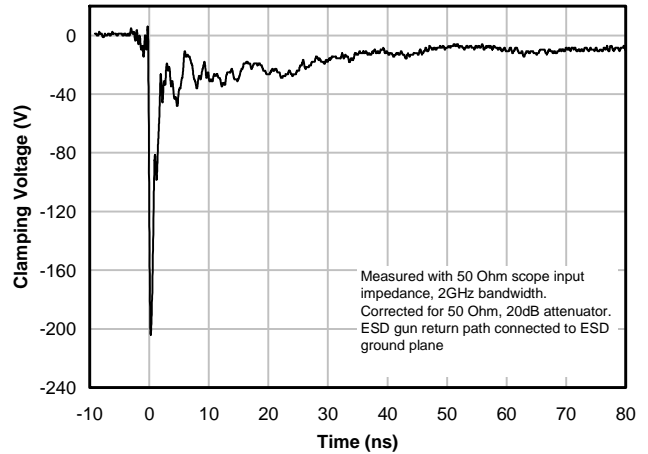
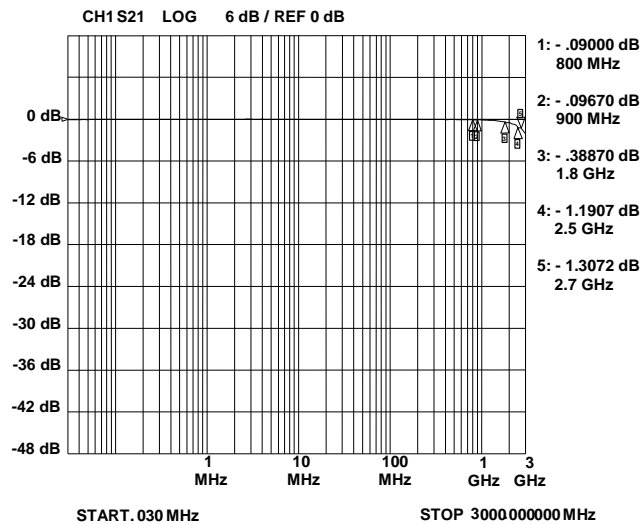
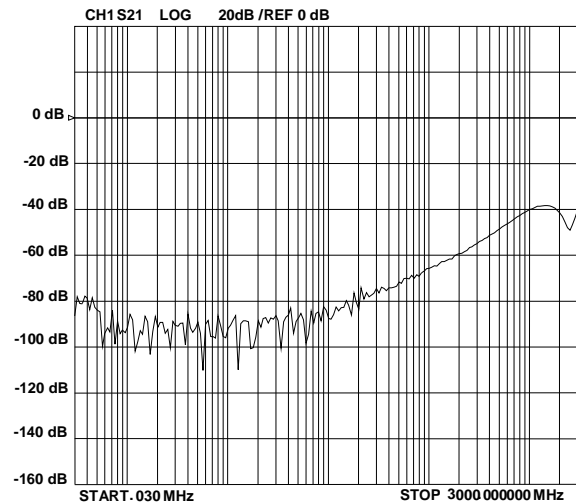
Parameter	Symbol	Conditions	Minimum	Typical	Maximum	Units
Reverse Stand-Off Voltage	V_{RWM}	Any I/O to GND			5	V
Reverse Breakdown Voltage	V_{BR}	$I_t = 1mA$, Any I/O to GND	6.5	9	11	V
Reverse Leakage Current	I_R	$V_{RWM} = 5.0V$, Any I/O to GND		0.005	0.100	μA
Clamping Voltage	V_C	$I_{pp} = 1A$, tp = 8/20μs Any I/O to GND			12	V
Clamping Voltage	V_C	$I_{pp} = 5A$, tp = 8/20μs Any I/O to GND			15	V
ESD Clamping Voltage ¹	V_C	IPP = 4A, t1p = 0.2/100ns		12		V
ESD Clamping Voltage ¹	V_C	IPP = 16A, t1p = 0.2/100ns		17		V
Dynamic Resistance ²	R_D	tp = 100ns		0.42		Ohms
Junction Capacitance	C_j	$V_R = 0V$, f = 1MHz, Any I/O to GND		0.50	0.60	pF
		$V_R = 0V$, f = 1MHz, Between I/O pins		0.25	0.4	pF

Notes

1)Transmission Line Pulse Test (TLP) Settings: $t_p = 100ns$, $t_r = 0.2ns$, I_{TLP} and V_{TLP} averaging window: $t_1 = 70ns$ to $t_2 = 90ns$.

2) Dynamic resistance calculated between $I_{pp} = 4A$ and $I_{pp} = 16A$

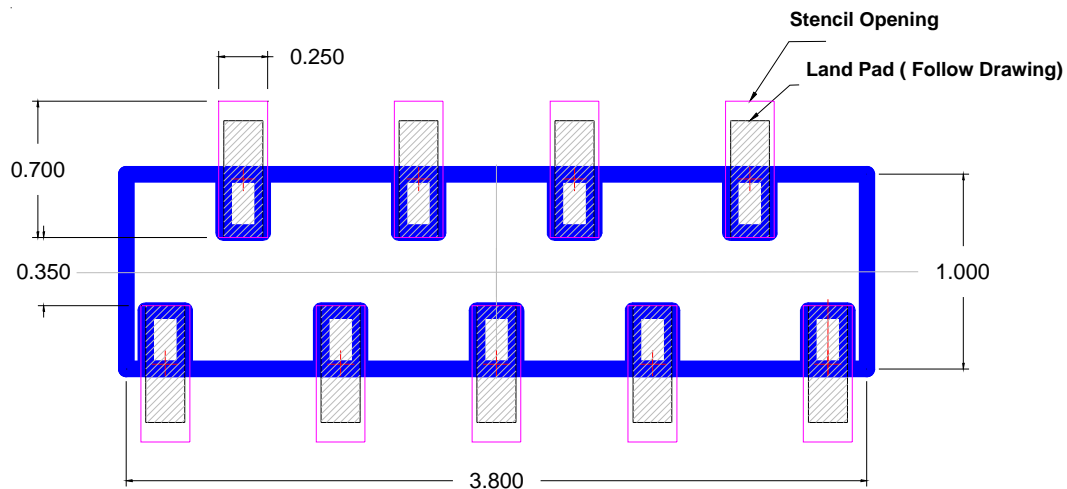
PROTECTION PRODUCTS
Typical Characteristics
Non-Repetitive Peak Pulse Power vs. Pulse Time

8/20 μ s Pulse Waveform

**Clamping Voltage vs. Peak Pulse Current
(Between any I/O and Ground)**

**Junction Capacitance vs. Reverse Voltage
(Between any I/O and Ground)**

TLP Characteristic (Positive)

TLP Characteristic (Negative)


PROTECTION PRODUCTS
Typical Characteristics (Con't)
**ESD Clamping (+8kV Contact per IEC 61000-4-2)
(Between any I/O and Ground)**

**ESD Clamping (-8kV Contact per IEC 61000-4-2)
(Between any I/O and Ground)**

Typical Insertion Loss S21

Analog Crosstalk


PROTECTION PRODUCTS
Applications Information
Assembly Guidelines

The small size of this device means that some care must be taken during the mounting process to insure reliable solder joint. Semtech's recommended assembly guidelines for mounting this device are shown in the Table. The figure below details Semtech's recommended aperture based on the below recommendations. Note that these are only recommendations and should serve only as a starting point for design since there are many factors that affect the assembly process. The exact manufacturing parameters will require some experimentation to get the desired solder application.

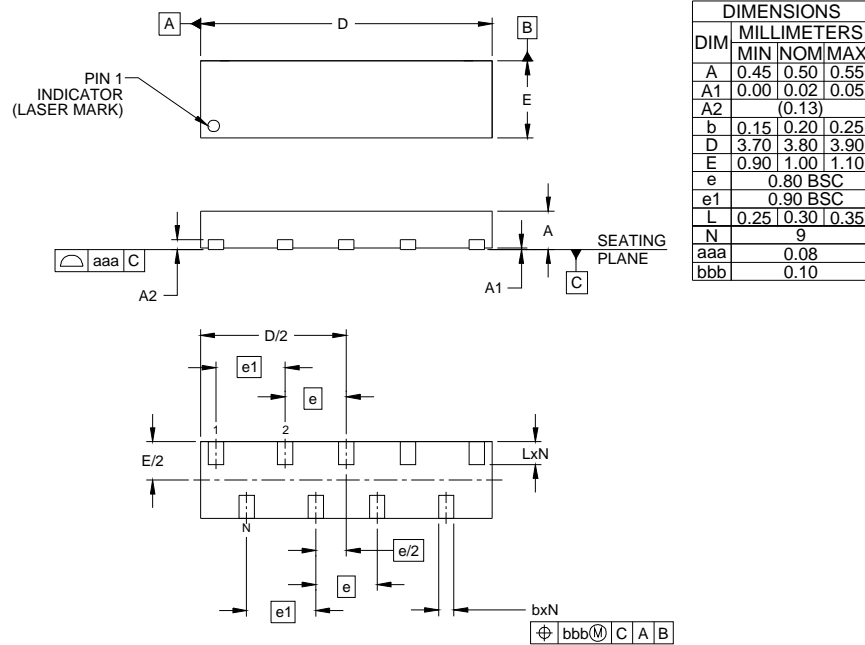
Assembly Parameter	Recommendation
Solder Stencil Design	Laser cut, Electro-polished
Aperture shape	Rectangular with rounded corners
Solder Stencil Thickness	0.100 mm (0.004")
Solder Paste Type	Type 4 size sphere or smaller
Solder Reflow Profile	Per JEDEC J-STD-020
PCB Solder Pad Design	Non-Solder mask defined
PCB Pad Finish	OSP OR NiAu



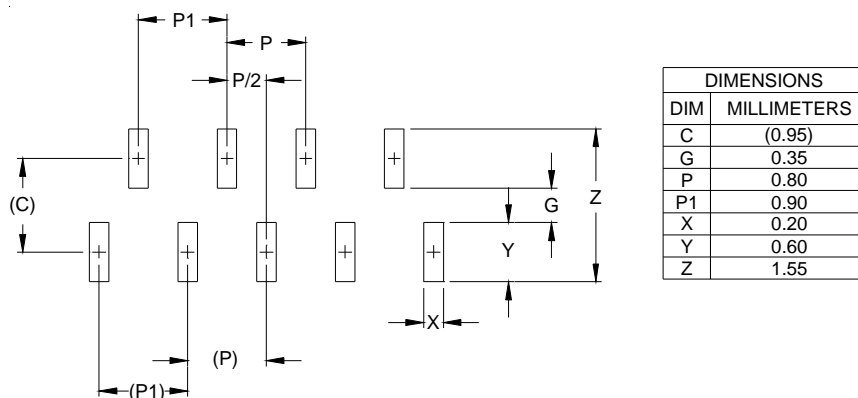
All Dimensions are in mm.

 Land Pad.
  Stencil opening
  Component

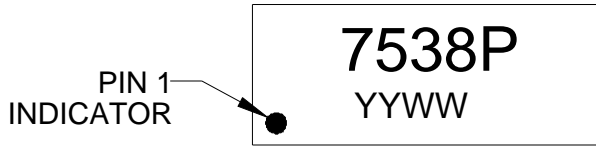
Recommended Mounting Pattern

PROTECTION PRODUCTS
Outline Drawing - SLP3810N9


- NOTES:
1. CONTROLLING DIMENSIONS ARE IN MILLIMETERS (ANGLES IN DEGREES).

Land Pattern - SLP3810N9


- NOTES:
1. CONTROLLING DIMENSIONS ARE IN MILLIMETERS (ANGLES IN DEGREES).
 2. THIS LAND PATTERN IS FOR REFERENCE PURPOSES ONLY. CONSULT YOUR MANUFACTURING GROUP TO ENSURE YOUR COMPANY'S MANUFACTURING GUIDELINES ARE MET.

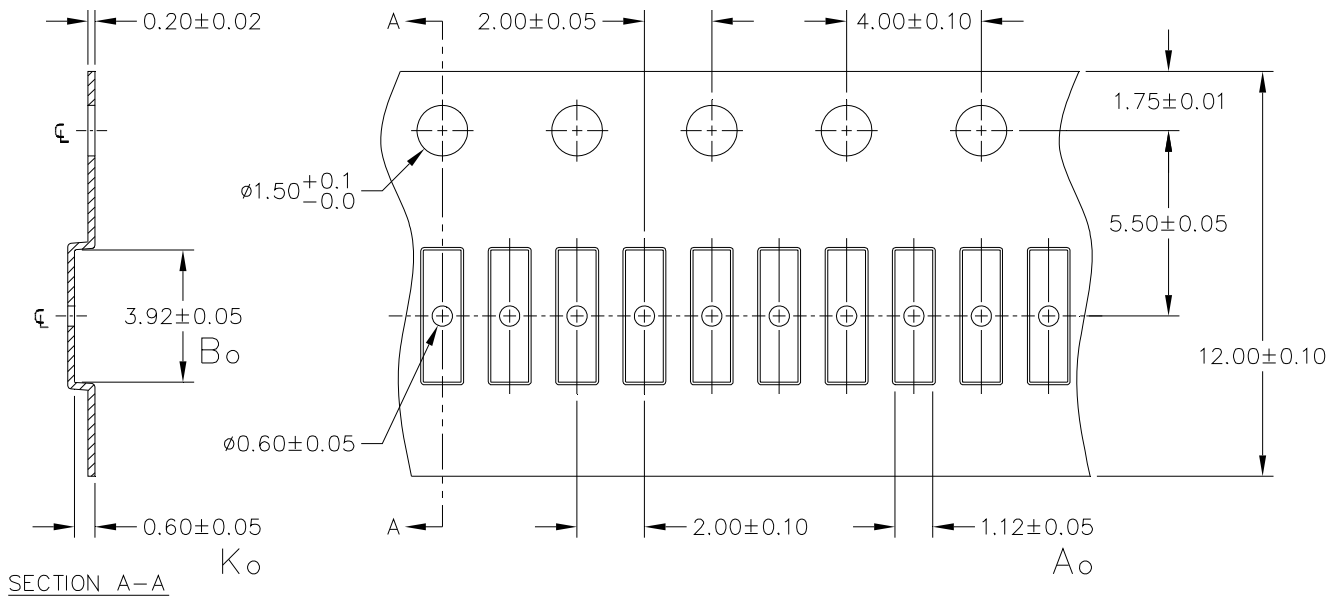
PROTECTION PRODUCTS
Marking Code


YYWW = Date Code

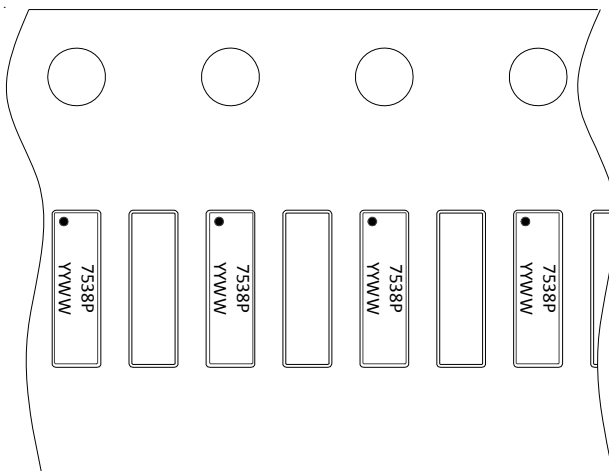
Ordering Information

Part Number	Qty per Reel	Device to Device Pitch	Reel Size
RClamp7538P.TZT	5,000	4mm	7 Inch
RClamp7538P.TNT	10,000	2mm	7 Inch

RailClamp and RClamp are trademarks of Semtech Corporation.

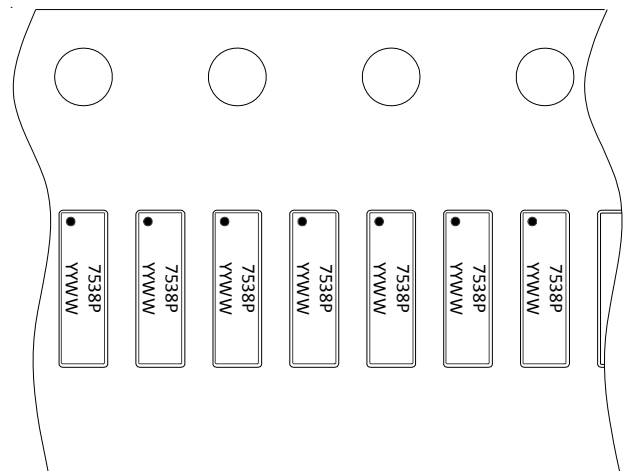
Carrier Tape Specification


NOTE: ALL DIMENSIONS IN MILLIMETERS UNLESS OTHERWISE SPECIFIED.



Notes:

- 1) Pin 1 towards sprocket holes
- 2) Every other pocket populated

Device Orientation in Tape (5K Piece Option)


Notes:

- 1) Pin 1 towards sprocket holes
- 2) Every pocket populated

Device Orientation in Tape (10K Piece Option)

Contact Information

Semtech Corporation
Protection Products Division
200 Flynn Road, Camarillo, CA 93012
Phone: (805)498-2111 FAX (805)498-3804