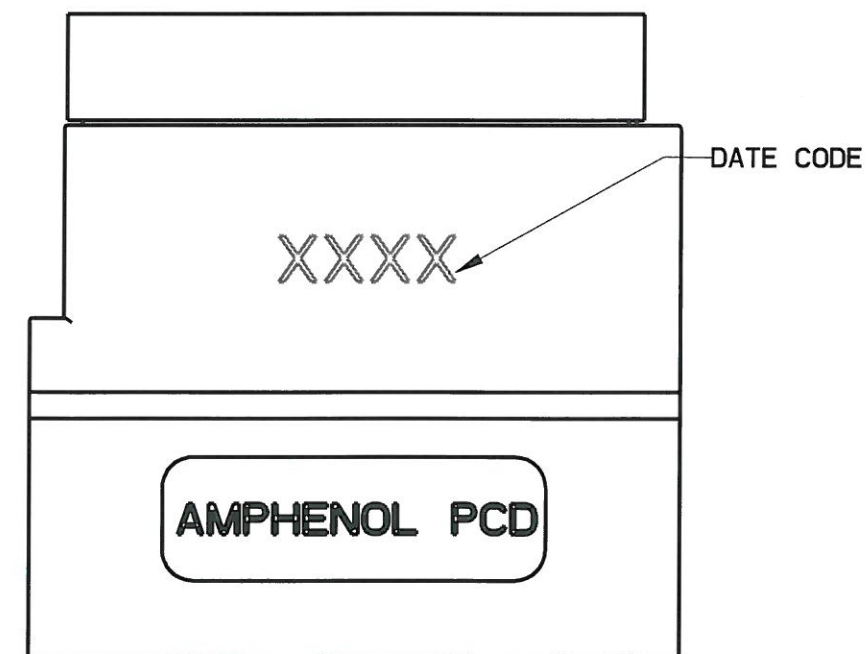
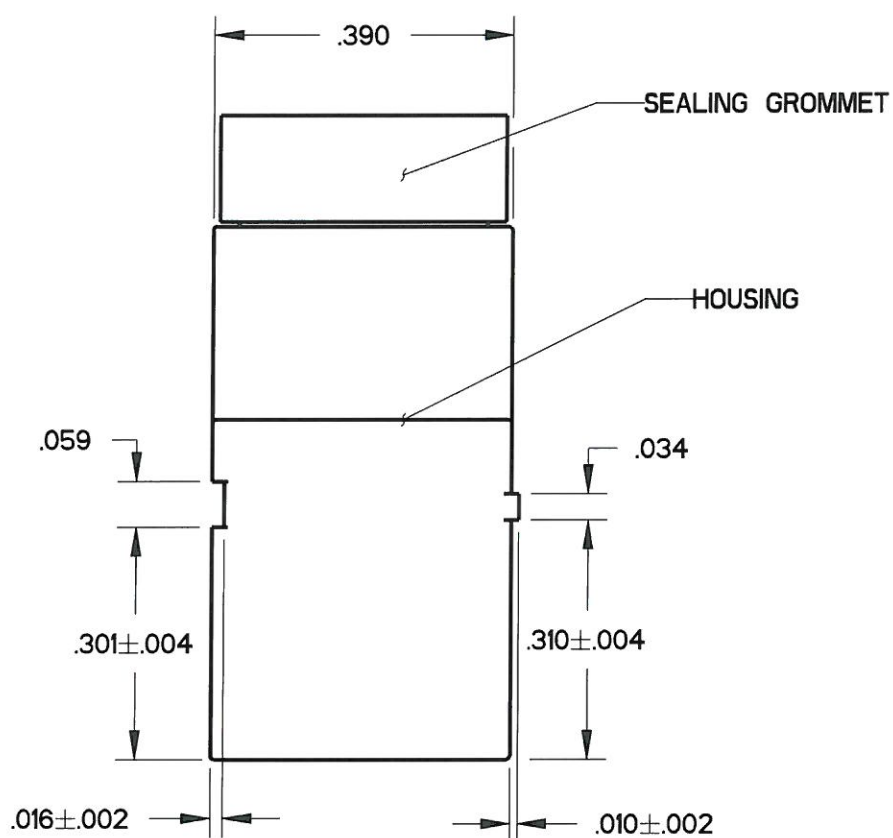
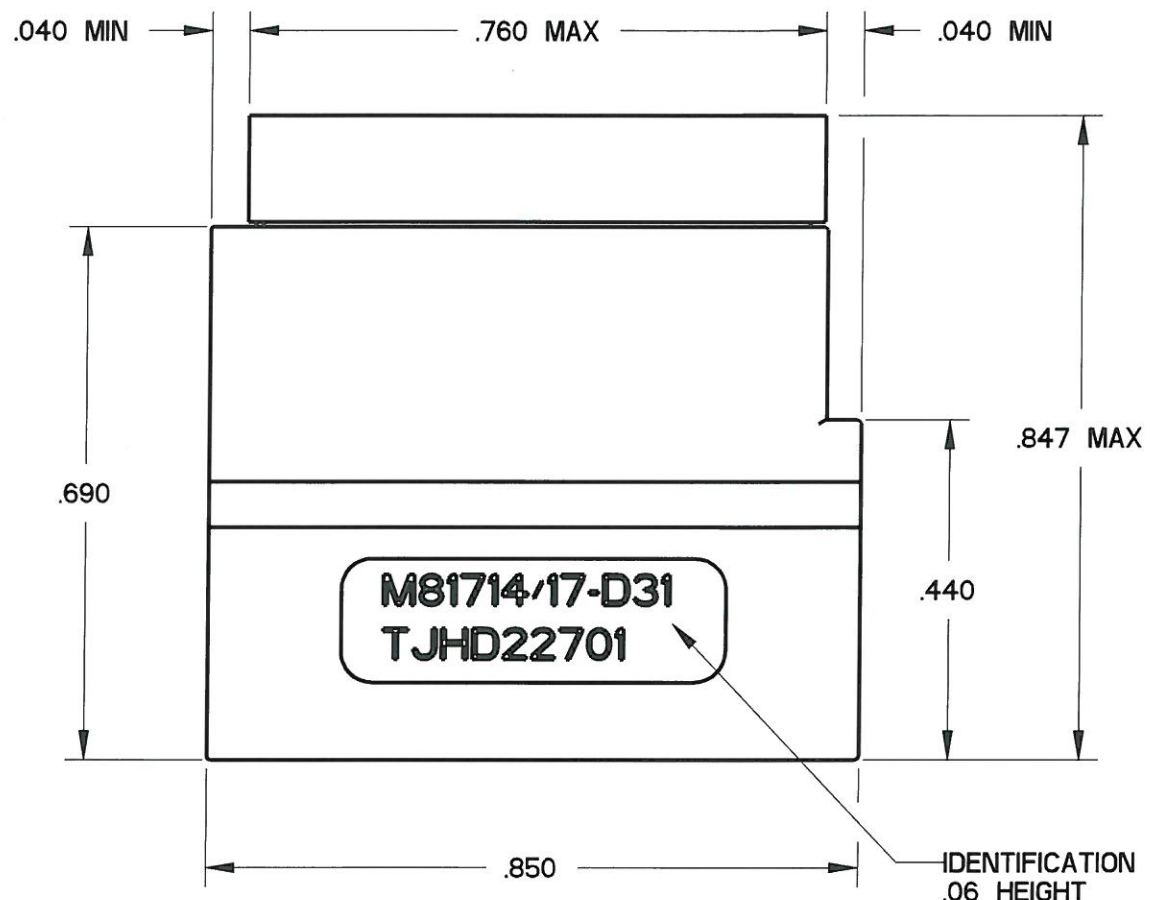
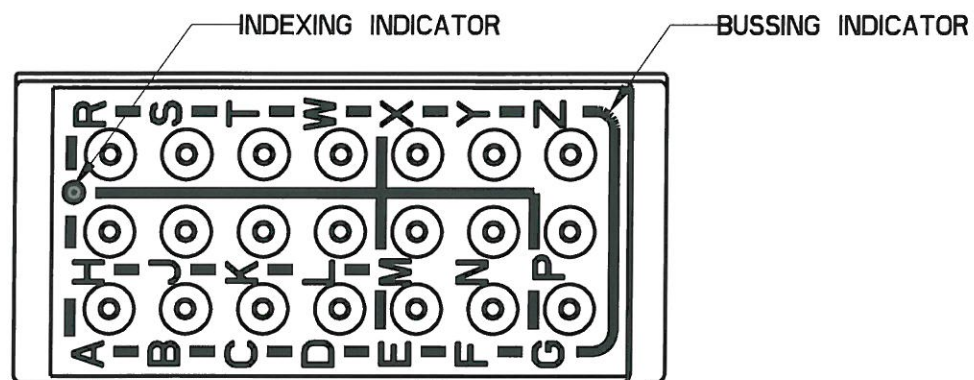


REV	ECN	APP'D
-	2939	JR 2/7/97
A	3043	AP 7/22/97
B	3338	JR 7/16/98
C	6200	JT 8/25/08
D	6349	JT 9/27/10



- NOTES:  
 1. MATERIAL:  
 HOUSING - THERMOPLASTIC, COLOR: BLACK.  
 GROMMET - SILICONE RUBBER, COLOR: BLUE  
 INTERNAL BUSSING - COPPER ALLOY  
 2. MODULE ACCEPTS M39029/1-507 PIN CONTACTS

PART NO.	INCLUDED W/ MODULE
TJHD22601	MODULE ONLY
TJHD22701	22 EACH M39029/1-507 PIN CONTACTS 2 EACH MS27488-22 SEALING PLUGS

DIMENSIONS	TOLERANCES	PROJECTION	Amphenol Pcd SPECIFICATION DRAWING
ANSI Y14.5M UNITS: INCHES Pro/E FILE	.XX ±0.01 .XXX ±0.005 ANGLES ±2.0°		ENGR A. PATRIE 03/08/06
ORIGINAL	THIS DOCUMENT CONTAINS PROPRIETARY INFORMATION WHICH IS THE CONFIDENTIAL PROPERTY OF AMPHENOL PCD INC., BEVERLY, MA	CHKD 9/27/10	APPD 9/27/10

TITLE			
MODULE, TERMINAL JUNCTION SIZE 22, HI-DENSITY D31 BUS ARRANGEMENT			
SIZE	DWG NO.	REV	
B	TJHD22601	D	
CODE: 58982	SCALE: 4:1	SHEET 1 OF 1	

TJHD22601

TJHD22601