

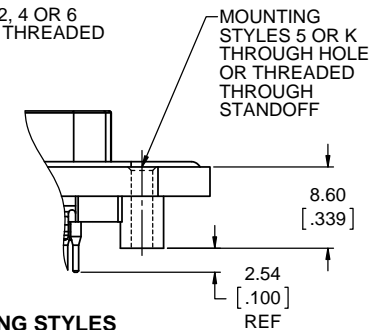
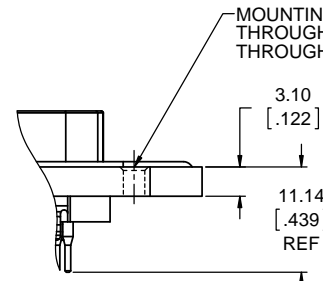
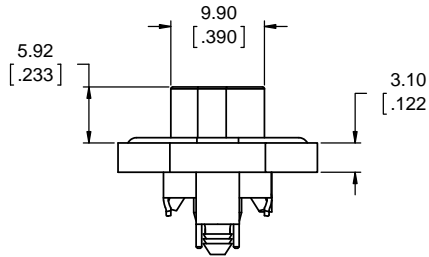
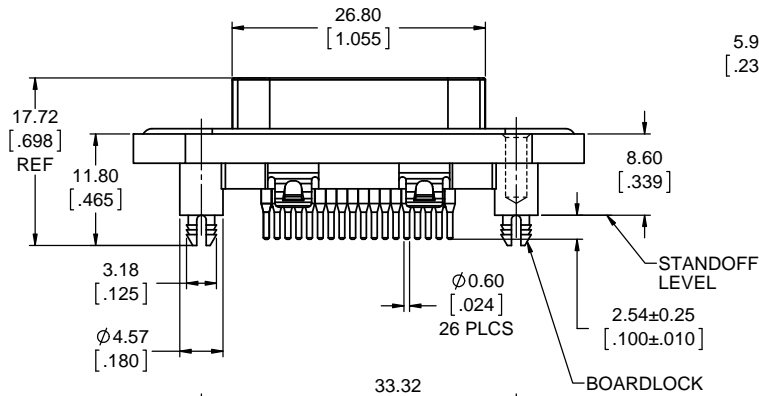
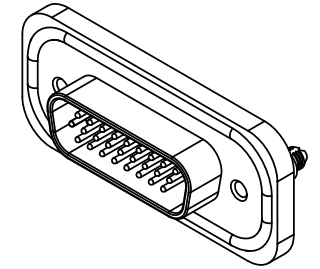
MOUNTING STYLES A OR J  
6.20 [.244] DEEP BLIND HOLE,  
5.00 [.197] MIN FULL THREAD  
DEPTH WITH BOARDLOCK  
AND STANDOFF  
SEE ORDERING CODE  
FOR OPTIONS

**ORDERING CODE: M D B R - A 2 6 P E - X N 0**

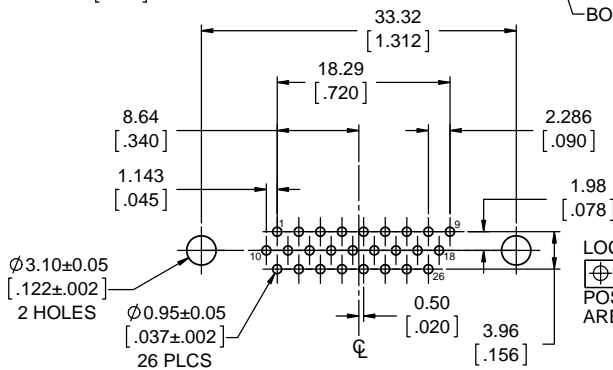
SERIES, RUGGED D-SUB  
SIZE A SHELL, 26 CONTACTS HIGH DENSITY  
CONNECTOR TYPE (P = PIN)  
TERMINATION TYPE (E = PCB TAIL)  
MOUNTING STYLE  
2 = 3.05 [.120] DIA HOLE THROUGH FLANGE  
4 = #4-40 THREAD THROUGH FLANGE  
5 = #4-40 THREAD THROUGH STANDOFF  
6 = M3x0.5 THREAD THROUGH FLANGE  
A = #4-40 THREADED STANDOFF WITH BOARDLOCK  
J = M3x0.5 THREADED STANDOFF WITH BOARDLOCK  
K = 3.05 [.120] DIA HOLE THROUGH STANDOFF

FEATURES AND MODIFIER CODES (N0 = STANDARD)

REVISIONS			
REV	DESCRIPTION, ECN, EAR NO.	DATE	APP'D
A	PRODUCT DRAWING (EAR 13901)	AUG08/11	K.L.

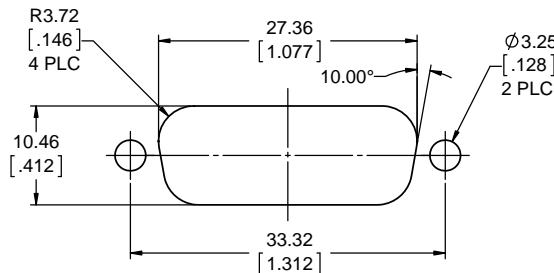


**ADDITIONAL MOUNTING STYLES**  
(SEE ORDERING CODE)



**RECOMMENDED P.C.B. LAYOUT**  
(COMPONENT SIDE OF BOARD)

LOCATE HOLES  
⊕ 0.13 [.005] DIA.  
POSITION DIMENSIONS ARE BASIC



**RECOMMENDED PANEL CUTOUT**

**NOTES:**

- ALL MATERIALS ARE RoHS COMPLIANT PER EU DIRECTIVE 2002/95/EC AND AMENDMENTS  
SHELL: DIECAST ZINC ALLOY, NICKEL PLATED  
CONTACTS: COPPER ALLOY WITH 0.76µm [30µ"] MIN GOLD OVER 1.27µm [50µ"] MIN NICKEL PLATING  
INSULATOR: HIGH TEMPERATURE RESISTANT THERMOPLASTIC, FLAMMABILITY RATING UL94V-0, BLACK  
GASKET: SILICONE RUBBER, BLACK  
O-RING: SILICONE RUBBER, RED
- ENVIRONMENTAL PERFORMANCE PER IEC 60529 CODE IP67 FOR SEAL BETWEEN MATING AREA AND PCB SIDE OF CONNECTOR. O-RING PROVIDES SEAL TO INSIDE FACE OF THE PANEL.
- ELECTRICAL CHARACTERISTICS:  
CURRENT RATING: 3 AMPS  
DWV: 1500V DC AT SEA LEVEL
- OPERATING TEMPERATURE: -40°C TO +105°C
- WHEN THROUGH HOLE OR THREADED THROUGH MOUNTING STYLES ARE USED, CUSTOMER TO PROVIDE METHOD FOR SEALING HOLES.
- CONSULT WITH AMPHENOL CANADA REGARDING HEX JACK SOCKETS, DUST COVERS OR OTHER ACCESSORIES.



UNLESS SPECIFIED OTHERWISE	DRAWN	M.SHAH	JUL18/11
PRIMARY UNITS MILLIMETERS	CHECKED		
SECONDARY UNITS INCHES	M.E. APP'D		
REFERENCE IN PARENTHESES	Q.A. APP'D		
GENERAL TOLERANCES	DWG APPR.	K.LAMBIE	AUG08/11
1 DECIMAL PLACE	ENG. REL. NO.	EAR 13901	
2 DECIMAL PLACES ±0.15	REF.		
3 DECIMAL PLACES	THIRD ANGLE PROJECTION		
ANGULAR DEGREES	DO NOT SCALE DRAWING		

<b>Amphenol Canada Corp.</b> www.amphenolcanada.com			
MDBR SERIES RUGGED D-SUB CONNECTOR, 26 POSITION HIGH DENSITY PIN, VERTICAL PCB TAILS, RoHS COMPLIANT			
DWG. NO.	P-MDBR-A26PE-XXX		REV A
CODE ID NO. 03554	DWG SIZE: X	SCALE: 5:2	SHEET 1 OF 1